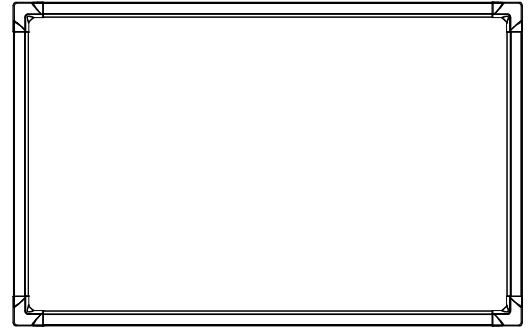


# Actalyst™ Interactive Digital Signage

## Specifications – Model KLX342b for Select 42" Flat-Panel Displays

### Physical Specifications

<b>Size</b>	<b>Landscape Orientation</b> 46 1/4" W × 30 3/4" H × 2 3/8" D (117.5 cm × 78.1 cm × 6.0 cm)
<b>Weight</b>	47 lb. (21.3 kg)
<b>Shipping Size</b>	58" W × 46 1/2" H × 21" D (147.3 cm × 118.1 cm × 53.3 cm)
<b>Shipping Weight</b>	110 lb. (50.0 kg)



All dimensions +/- 1/8" (0.3 cm). All weights +/- 2 lb. (0.9 kg).

### Standard Feature

<b>Software</b>	Actalyst™ interactive overlay touch driver software. Upgrades are available at <a href="http://smarttech.com/software">smarttech.com/software</a> .
<b>Controller</b>	You can mount the controller on the back of the interactive overlay with two included thumbscrews. A modular cable connects the interactive overlay to the controller, and the controller connects to a computer with the included 21' 6" (6.5 m) USB/serial converter cable. The DB9 serial connector connects to the controller and the USB connector connects to an available USB receptacle on the computer.
<b>Mounting Brackets</b>	Four mounting brackets secure the interactive overlay to the flat-panel display with eight No. 8-32 thumbscrews.
<b>Front Surface Material</b>	Hard-coated, anti-glare polyester that's designed for optimal light transmission. Chemical and scratch resistant.
<b>Digitizing Technology</b>	DViT™ (Digital Vision Touch) technology uses two digital cameras in the top two corners of the interactive overlay to track an object interacting with the display surface.
<b>Power Requirements</b>	Switching power supply, 100V–250V AC, 47 Hz–63 Hz, 12V DC 4.2A, 6' (1.8 m) power cord
<b>Power Consumption</b>	Power consumption is up to 40 W.
<b>Compliance</b>	CE, WEEE, RoHS (Europe), RoHS (China)
<b>Warranty</b>	Two-year limited equipment warranty
<b>Installation Notes</b>	You can install the interactive overlay on a flat-panel display that is securely mounted to a wall or floor stand. However, the wall mount or floor stand must be able to support a combined weight of 170 lb. (77.1 kg). Because of stability and mechanical fit issues, table stands are not recommended. You cannot attach speakers directly to the sides of a flat-panel display when an interactive overlay is installed. Do not install the Actalyst interactive overlay where it will be exposed to the weather or direct sunlight.

### Computer Requirements

<b>Windows® Computers</b>	Pentium® II 450 MHz processor 128 MB of RAM (256 MB recommended) 60 MB of free hard disk space Windows 2000, Windows XP or Windows Vista™ operating system Internet Explorer® Internet browser 6.0 or later
---------------------------	---

## Specifications – Model KLX342b for Select 42" Flat-Panel Displays

<b>Mac Computers</b>	700 MHz processor (1 GHz or faster recommended) 97 MB of RAM (256 MB recommended) 75 MB of free hard disk space Mac OS X version 10.4.x operating system software Safari application program version 1.3.2 or later SMART Board software version 9.7 supports both PowerPC® and Intel® processors (universal binary)
<b>Linux® Computers</b>	Pentium II 450 MHz processor 128 MB of RAM (256 MB recommended) 28 MB of free hard disk space Linux kernel version 2.6 or later X Window System™ version 11 release 6 (X11R6) or later (must support XRender, Xinerama™, XFixes, Xau and Xdmcp) glibc 2.3.3 (gcc 3.4.2) libstdc++6 GNOME™ 2.8.0+ or KDE® 3.3+ libraries (recommended) SUSE™ 10, Red Hat® Enterprise Linux 4 WS, Debian® 3.1 (Sarge), Ubuntu® 6.06 LTS or Fedora™ Core 3+

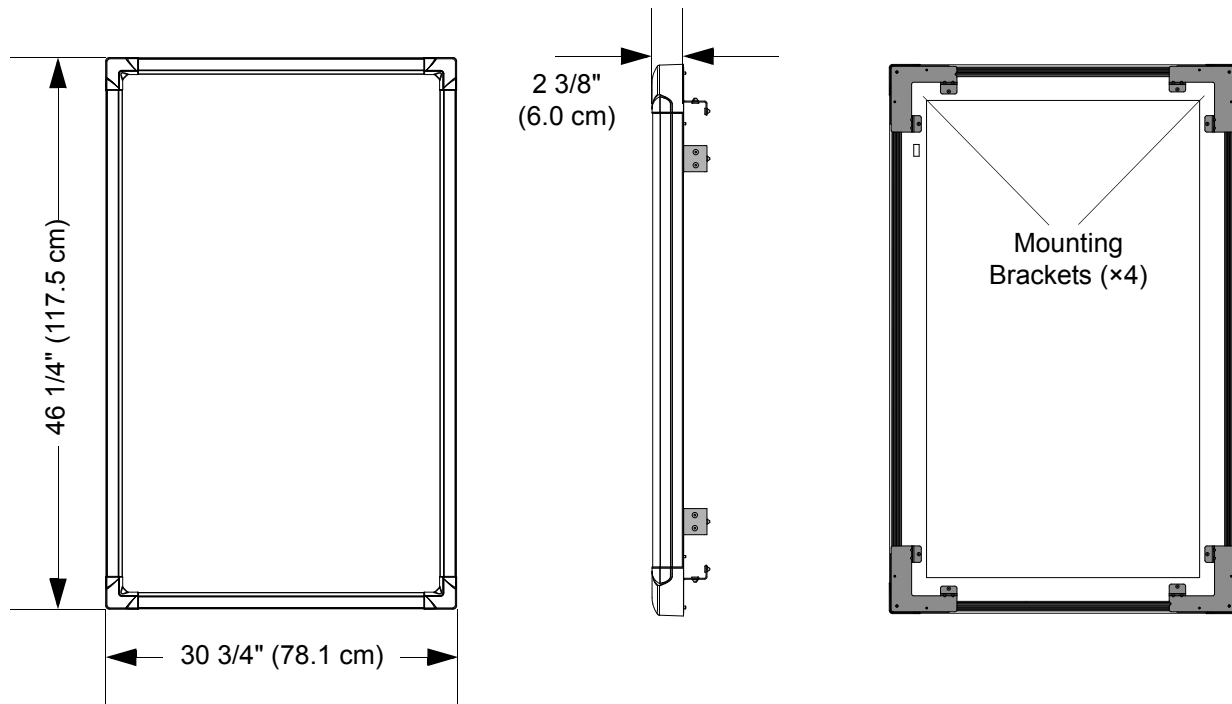
---

### Storage and Operating Specifications

<b>Storage</b>	-40°F to 95°F (-40°C to 35°C) with up to 95% humidity non-condensing
<b>Operation</b>	41°F to 95°F (5°C to 35°C) with up to 90% humidity non-condensing

## Specifications – Model KLX342b for Select 42" Flat-Panel Displays

### Dimensions



### SMART Order Number

**KLX342b**

Actalyst interactive overlay for select 42" flat-panel displays in landscape orientation

#### SMART Technologies

3636 Research Road  
Calgary, AB T2L 1Y1  
CANADA

[www.smarttech.com/support](http://www.smarttech.com/support) [www.smarttech.com/contactsupport](http://www.smarttech.com/contactsupport)  
Support +1.403.228-5940 or Toll Free 1.866.518.6791 (Canada/U.S.)

**SMART**  
Technologies

© 2004–2010 SMART Technologies ULC. All rights reserved. Actalyst, DVIT, smarttech and the SMART logo are trademarks or registered trademarks of SMART Technologies ULC in the U.S. and/or other countries. Windows and Windows Vista are either registered trademarks or trademarks of Microsoft Corporation in the U.S. and/or other countries. All other third-party product and company names may be trademarks of their respective owners. Patents Nos. US5448263; US6141000; US6337681; US6747636; US6803906; US6919880; US6947032; US6954197; US7184030; US7236162; US7289113; US7411575; US7619617; US7626577; US7643006; US7692625; CA2058219; CA2386094; EP1297488; ES2279823; ZL0181236.0; DE60124549; [Other] patents pending. Specifications are subject to change without notice. 07/2010.