

# Addendum to the In-Wall *Rear Projection* SMART Board™ Interactive Whiteboard Installation Guide

---

This addendum contains information that has changed since the release of the *In-Wall Rear Projection SMART Board Interactive Whiteboard Installation Guide*.

**NOTE:** This document applies only to In-Wall *Rear Projection* SMART Board interactive whiteboards that ship with a mirror stand and an NEC MT1065 projector (models 2865 and 2965).

## Distance between the Interactive Screen and the Mirror Stand

If the In-Wall *Rear Projection* SMART Board interactive whiteboard ships with an NEC MT1065 projector, the printed installation guide states incorrect values for the distance between the front edge of the mirror stand and the back of the interactive screen on pages 2, 5, 17 and 18. For best results, use these distances instead:

- For model 2865, the *maximum* distance between the lower cabinet of the mirror stand and the wall surface upon which you mount the interactive whiteboard is 3 1/4" (8.3 cm).
- For model 2965, you must allow *at least* 15" (38.1 cm) between the lower cabinet of the mirror stand and the wall surface upon which the interactive whiteboard is mounted.

These and other dimensions are illustrated on the following pages.

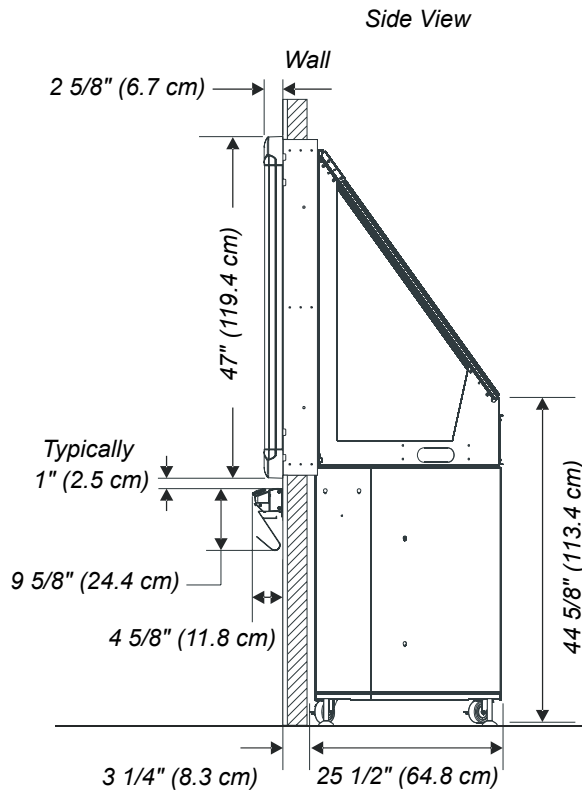
**NOTE:** All of the In-Wall *Rear Projection* SMART Board interactive whiteboard specifications are available at <http://www.smarttech.com/products/rearprojection/specs.asp>.

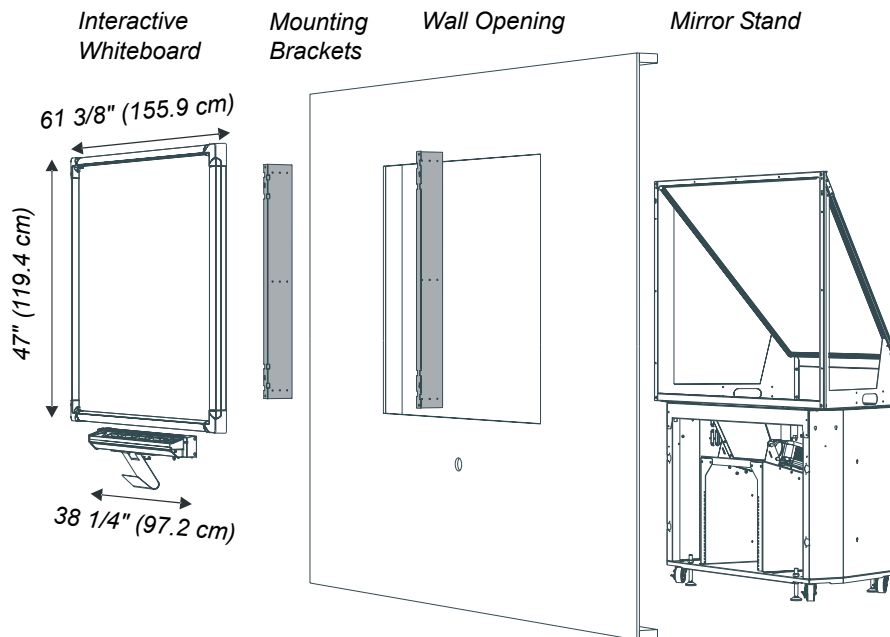
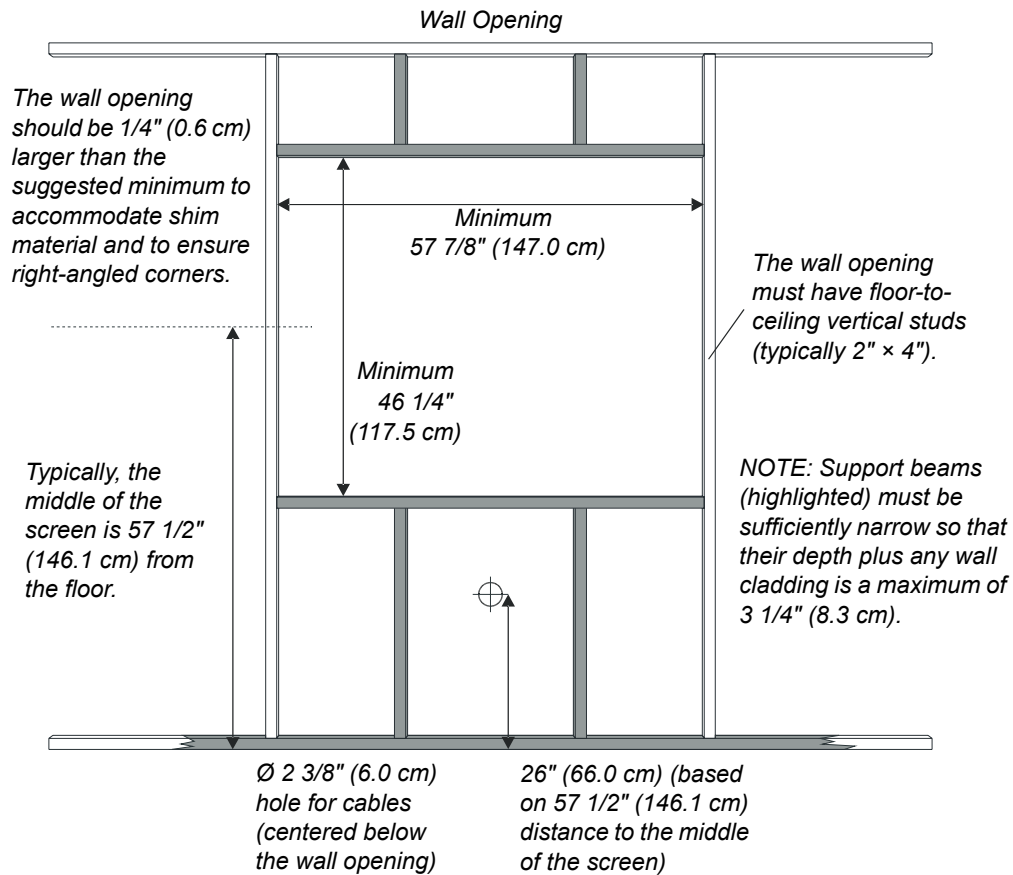
## Specifications – Model 2865

Model 2865 includes the In-Wall *Rear Projection* SMART Board 1810 interactive whiteboard, the mirror stand and the NEC MT1065 projector with short-throw lens.

The *maximum* distance between the lower cabinet of the mirror stand and the wall surface upon which you mount the interactive whiteboard is 3 1/4" (8.3 cm).

If you construct a room to house the mirror stand, make it approximately 4' (1.2 m) deep to provide room for projector maintenance access.



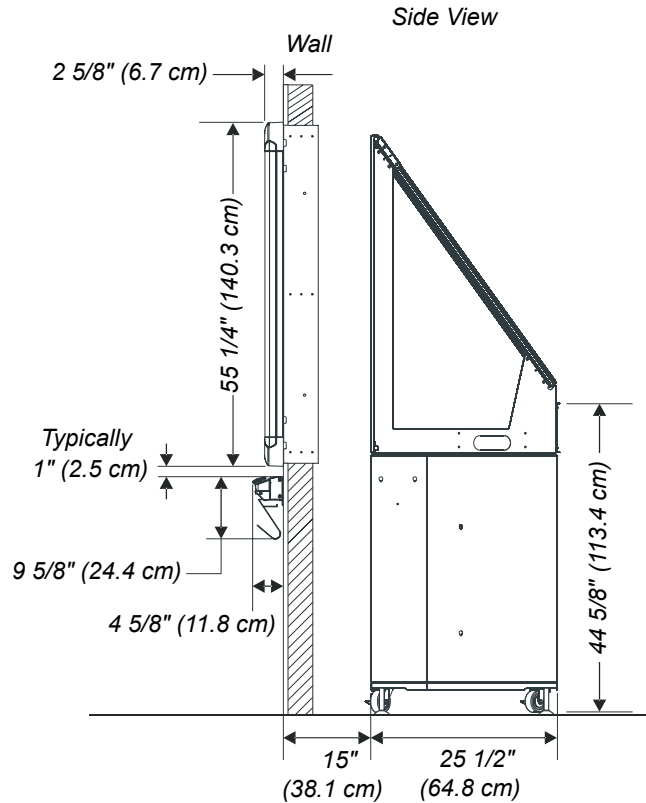


## Specifications – Model 2965

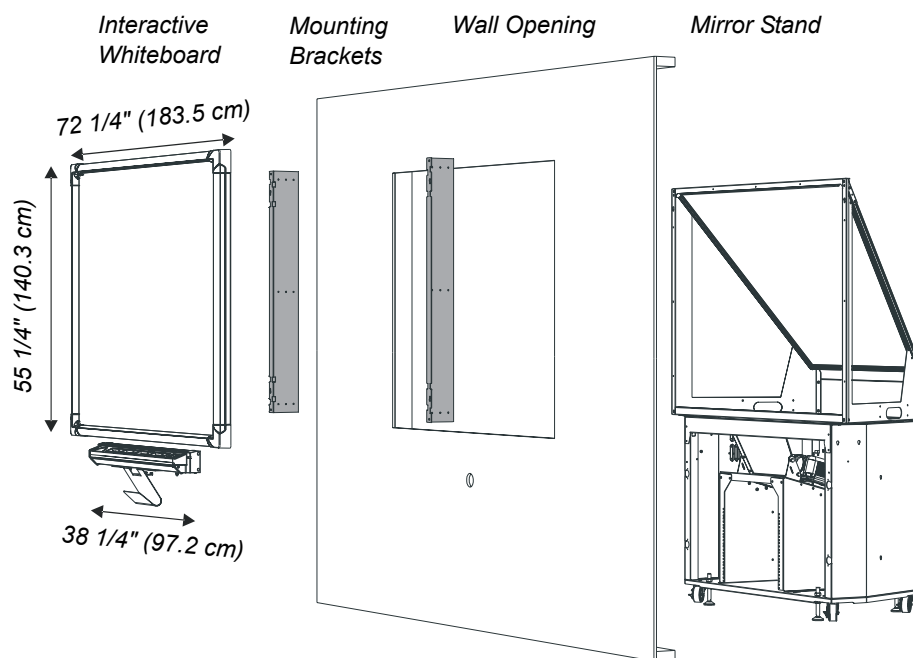
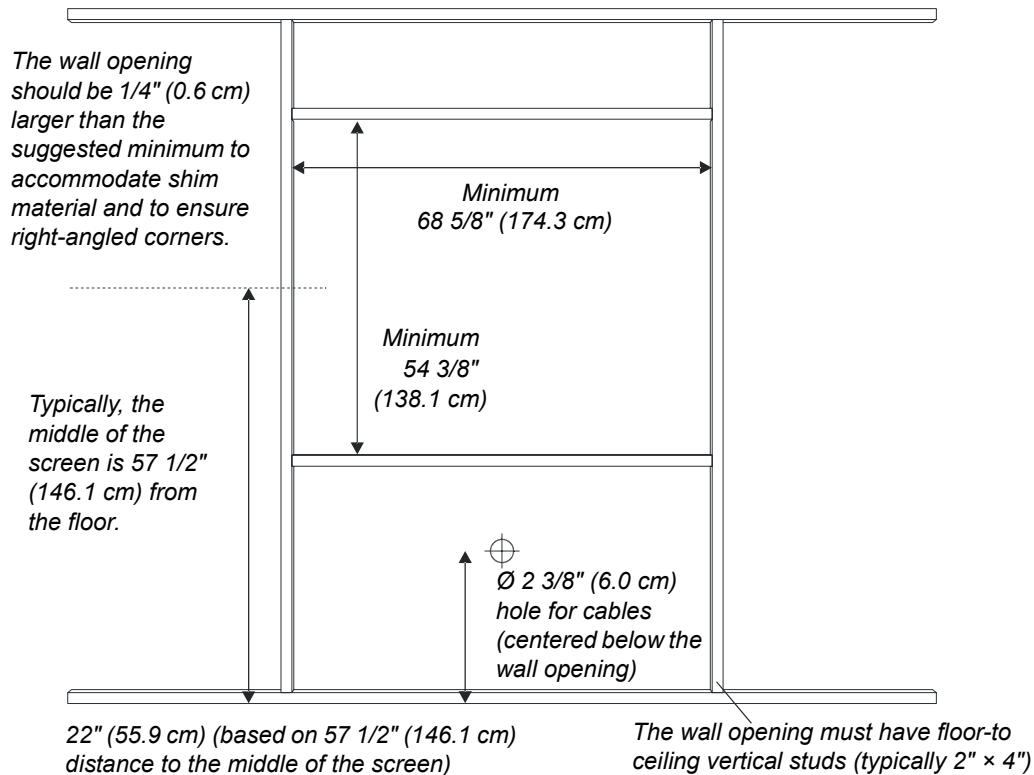
Model 2965 includes the In-Wall *Rear Projection* SMART Board 1910 interactive whiteboard, the mirror stand and the NEC MT1065 projector with short-throw lens.

You must allow *at least* 15" (38.1 cm) between the lower cabinet of the mirror stand and the wall surface upon which the interactive whiteboard is mounted.

If you construct a room to house the mirror stand, make it approximately 5' (1.5 m) deep to provide room for projector maintenance access.



### Wall Opening



#### SMART Technologies Inc.

1207 – 11 Avenue SW, Suite 300

Calgary, AB T3C 0M5

CANADA

Support +1.403.228.5940 or Toll Free 1.866.518.6791 (Canada/U.S.)

Support Fax +1.403.806.1256

support@smarttech.com www.smarttech.com

**SMART**  
Technologies