

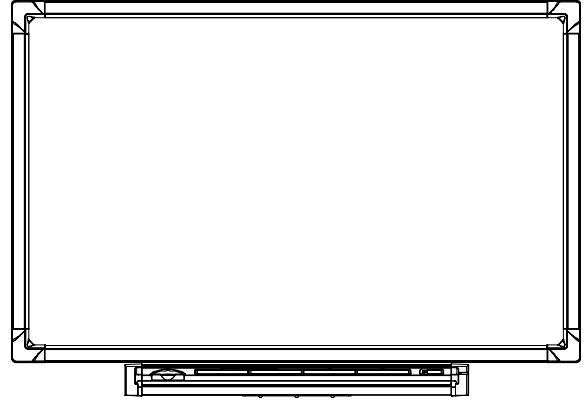
SMART Board™ for Flat-Panel Displays Interactive Whiteboard

Specifications – Model PA365 for Select Panasonic® Flat-Panel Displays

NOTE: For a complete list of 300 series flat-panel displays, visit the SMART Technologies [website](#).

Physical Specifications

Interactive Whiteboard	66 5/8" W x 42 1/8" H x 2 3/8" D (169.2 cm x 107 cm x 6 cm)
Pen Tray	3 5/8" (9.2 cm) added to the interactive whiteboard's height 2" (5.1 cm) added to the interactive whiteboard's depth
Weight	72 lb. (32.7 kg)
Shipping Size	71" W x 56" H x 21" D (180.3 cm x 142.2 cm x 53.3 cm)
Shipping Weight	150 lb. (68.2 kg)



All dimensions +/- 1/8" (0.3 cm). All weights +/- 2 lb. (0.9 kg).

Standard Features

Software	Includes SMART Notebook software. See the SMART Notebook software specifications for a complete list of system requirements. Software upgrades are available at www2.smarttech.com/st/en-US/Support/SBS/ .
Pen Tray	Optical sensors in the pen tray detect when you lift a pen or eraser from the tray. LED indicators show the active tool. Includes four pen tray pens (black, blue, red and green), and an eraser. The pen tray connects to the interactive whiteboard with a modular cable, and then connects to a computer with a 21' 6" (6.5 m) USB/serial adapter cable. The USB/serial adapter cable has a DB9F connector at one end and a USB connector at the other end. You can order an optional serial cable. NOTE: To order the interactive whiteboard without the pen tray, add "NP" to the end of the model number. The pen tray is then replaced by an electronic controller that fastens behind the overlay.
Display Control Strip	The display control strip enables you to initiate sleep mode, select the input source, toggle the display mode and access the control panel. This feature is available only for the Windows® operating system.
Mounting Brackets	Four mounting brackets secure the interactive whiteboard to the flat-panel display with eight No. 8-32 thumbscrews.
Front Surface Material	Hard-coated, anti-glare plastic designed for optimal light transmission. Chemical and scratch resistant.
Digitizing Technology	DViT™ (Digital Vision Touch) technology uses digital cameras to track an object interacting with the display surface.
Flat-Panel Display Connections	Includes serial cable for flat-panel display control—10' (3.1 m), DB9F-to-DB9F (not available for some models)
Power Requirements	Switching power supply, 100V to 250V AC, 47 Hz to 63 Hz, 12V DC, 4.2A, 6' (1.8 m) power cord
Power Consumption	Up to 40 W

Specifications – Model PA365 for Select Panasonic® Flat-Panel Displays

Certifications and Compliance	CE, WEEE, RoHS (Europe), RoHS (China)
Warranty	Two-year limited equipment warranty
Installation Notes	You can install the interactive whiteboard on a flat-panel display that is securely mounted to a wall or floor stand. Because of stability and mechanical fit issues, do not use table stands. You cannot attach speakers directly to the sides of a flat-panel display when an interactive whiteboard is installed.

Storage and Operating Specifications

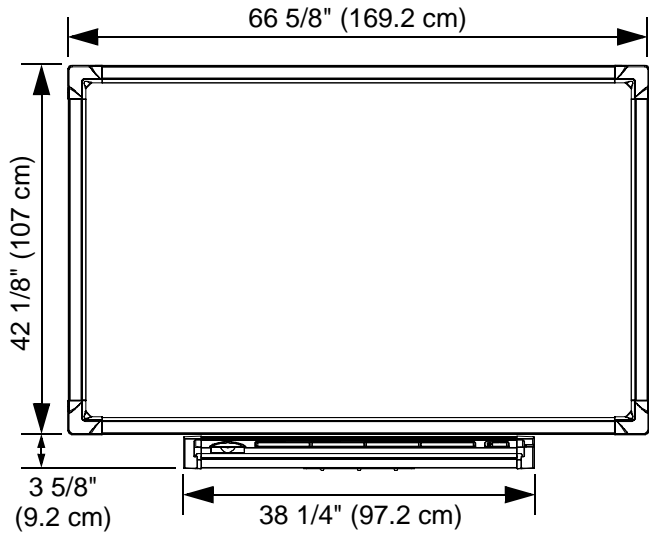
Storage	-40°F to 95°F (-40°C to 35°C)
Operation	41°F to 95°F (5°C to 35°C) with up to 80% humidity non-condensing

SMART Order Number

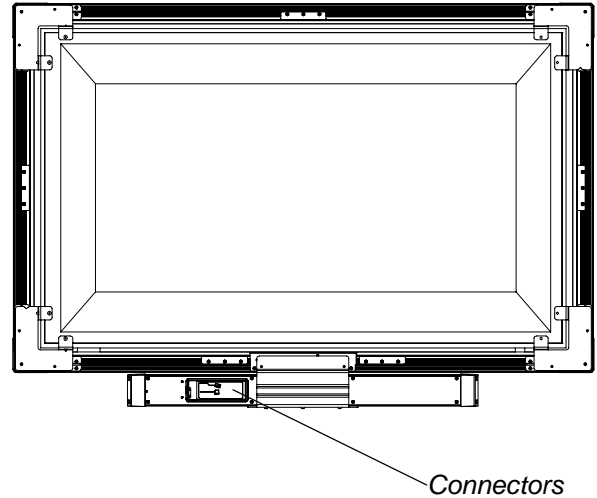
PA365	Interactive whiteboard for select Panasonic flat-panel displays
PA365NP	Interactive whiteboard without pen tray for select Panasonic flat-panel displays
93-00360	Optional 20' (6.1 m) straight-through DB9F-to-DB9F serial cable for systems that don't support USB connections. Must be ordered separately.

Specifications – Model PA365 for Select Panasonic® Flat-Panel Displays

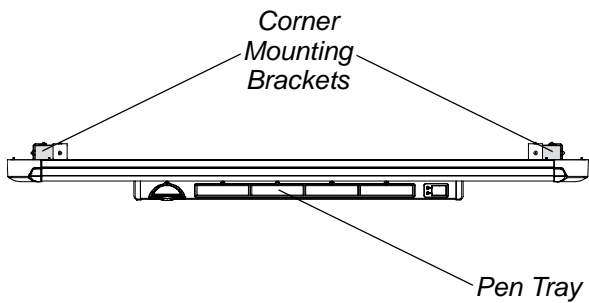
Front



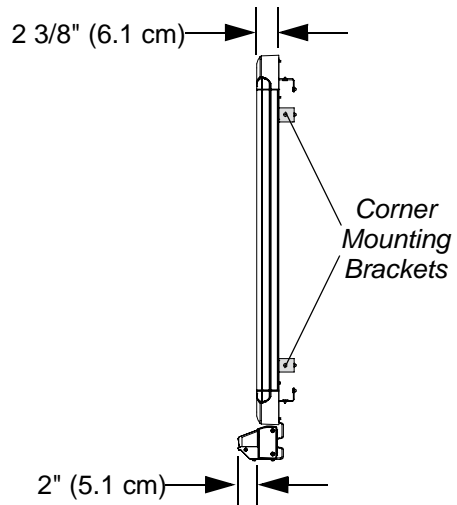
Back



Bottom



Side



All dimensions +/- 1/8" (0.3 cm)

www.smarttech.com/support www.smarttech.com/contactsupport
 Support +1.403.228.5940 or Toll Free 1.866.518.6791 (U.S./Canada)



© 2008 SMART Technologies ULC. All rights reserved. SMART Board, the SMART logo, DVIT and smarttech are trademarks or registered trademarks of SMART Technologies ULC in the U.S. and/or other countries. Panasonic is a registered trademark of Matsushita Electric Industrial Co., Ltd. All other third-party product and company names may be trademarks of their respective owners. Patent No. US5448263; US6141000; US6320597; US6326954; US6337681; US6741267; US6747636; US6803906; US6919880; US6947032; US6954197; US6972401; US7151533; US7184030; US7236162; CA2453873; EP1297488; ES2279823; ZL0181236.0; and DE60124549. Other patents pending. Contents are subject to change without notice. 11/2008.