

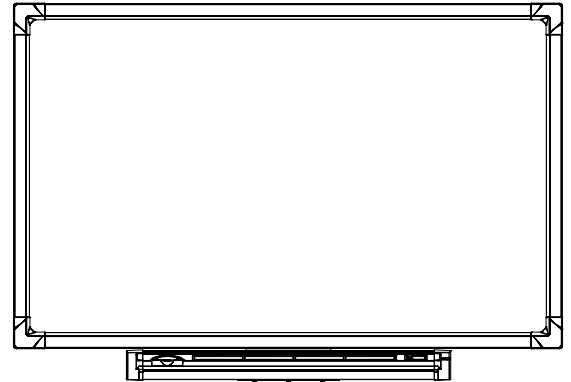
SMART Board™ for Flat-Panel Displays Interactive Whiteboard

Specifications – Model PG363 for Select Samsung® Plasma Displays

NOTE: For a complete list of supported flat panels, visit www.smarttech.com/products/overlay/specs.asp.

Physical Specifications

Interactive Whiteboard	64 3/4" W × 40 3/4" H × 2 3/8" D (164.5 cm × 103.5 cm × 6.0 cm)
Pen Tray	3 5/8" (9.2 cm) added to the interactive whiteboard's height 2" (5.1 cm) added to the interactive whiteboard's depth
Weight	64 lb. (29.0 kg)
Shipping Size	
1 unit	71" W × 56" H × 21" D (180.3 cm × 142.2 cm × 53.3 cm)
2 units on pallet	71" W × 62" H × 43" D (180.3 cm × 157.5 cm × 109.2 cm)
Shipping Weight	
1 unit	139 lb. (63.1 kg)
2 units on pallet	300 lb. (136.4 kg)



All dimensions +/- 1/8" (0.3 cm). All weights +/- 2 lb. (0.9 kg).

Standard Features

Software	SMART Notebook software included. See the SMART Notebook software specifications for a complete list of system requirements. Software upgrades are available at www2.smarttech.com/st/en-US/Support/SBS/ .
Pen Tray	Optical sensors in the pen tray detect when a pen or eraser is lifted from the tray. LED indicators show the active tool. Includes four pen tray pens (black, blue, red and green) and an eraser. The pen tray connects to the interactive whiteboard with a modular cable, and connects to a computer with a 21' 6" (6.5 m) USB/serial adapter cable. The USB/serial adapter cable has a DB9F connector at one end and a USB connector at the other. An optional serial cable is available. NOTE: To order the interactive whiteboard without the pen tray, add "NP" to the end of the model number. The pen tray is then replaced by an electronic controller that fastens behind the overlay.
Display Control Strip	The display control strip allows you to initiate sleep mode, select the input source, toggle the display mode and access the panel control menu. This feature is only available for the Windows® operating system.
Mounting Brackets	Four mounting brackets secure the interactive whiteboard to the plasma display with eight No. 8-32 thumbscrews.
Front Surface Material	Hard-coated, anti-glare polyester designed for optimal light transmission. Chemical and scratch resistant.
Digitizing Technology	DViT™ (Digital Vision Touch) technology uses digital cameras to track an object interacting with the display surface.
Plasma Display Connection	Serial cable included for plasma display control—10' (3.1 m), DB9F-to-DB9F (not available for some models)
Power Requirements	Switching power supply, 100V–250V AC, 47 Hz–63 Hz, 12V DC 4.2A, 6' (1.8 m) power cord
Power Consumption	Power consumption is up to 40 W.
Certifications and Compliance	CE, WEEE, RoHS (Europe), RoHS (China)

Specifications – Model PG363 for Select Samsung Plasma Displays

Warranty	Two-year limited equipment warranty
Installation Notes	You can install the interactive whiteboard on a plasma display that is securely mounted to a wall or floor stand. However, because of stability and mechanical fit issues, table stands are never to be used. You cannot attach speakers directly to the sides of a plasma display when an interactive whiteboard is installed.

Storage and Operating Specifications

Storage	-40°F to 95°F (-40°C to 35°C)
Operation	41°F to 95°F (5°C to 35°C) with up to 80% humidity non-condensing

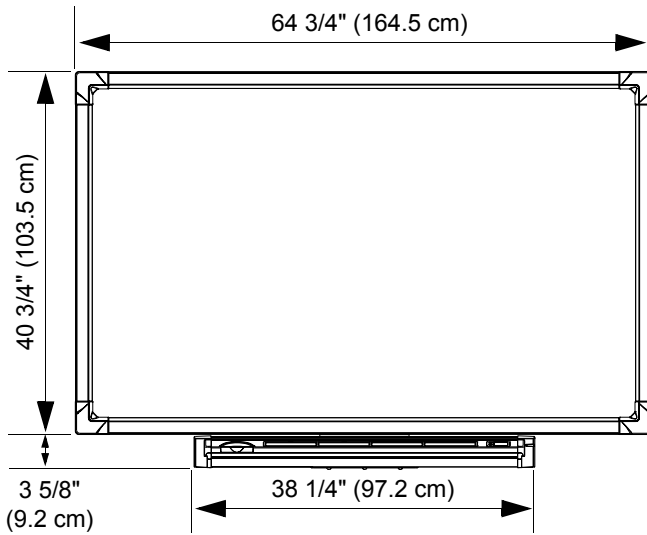
SMART Order Number

PG363	Interactive whiteboard for select Samsung plasma displays
PG363NP	Overlay without pen tray for select Samsung plasma displays
93-00360	Optional 20' (6.1 m) straight-through DB9F-to-DB9F serial cable for systems that don't support USB connections. Must be ordered separately.

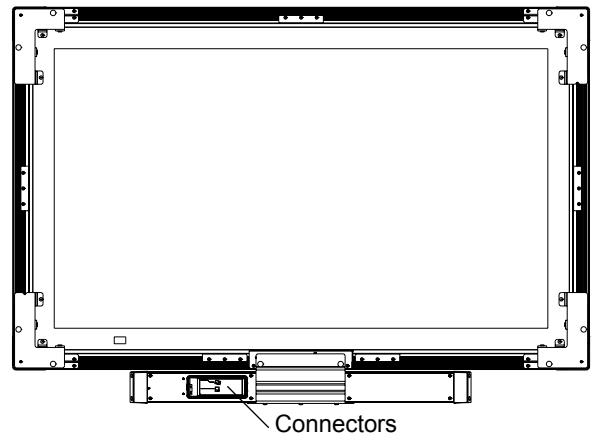
Specifications – Model PG363 for Select Samsung Plasma Displays

All dimensions +/- 1/8" (0.3 cm)

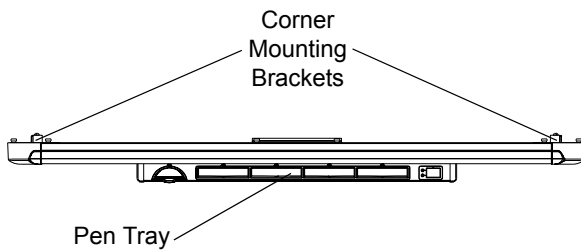
Front View



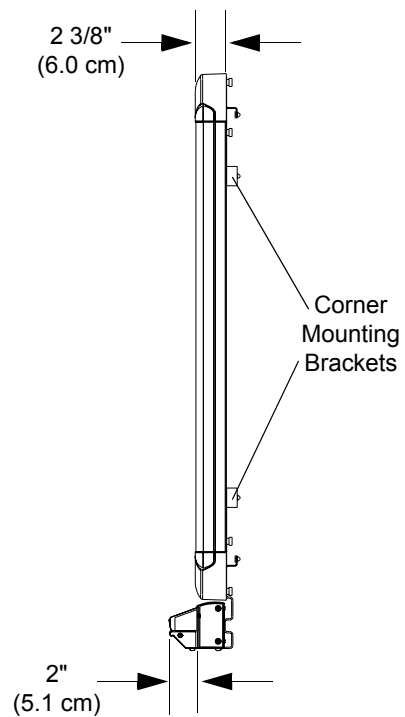
Back View



Top View



Side View



www.smarttech.com/support www.smarttech.com/contactsupport
Support +1.403.228.5940 or Toll Free 1.866.518.6791 (U.S./Canada)

© 2008 SMART Technologies ULC. All rights reserved. The SMART logo, SMART Board and smarttech are trademarks or registered trademarks of SMART Technologies ULC in the U.S. and/or other countries. All other third-party product and company names may be trademarks of their respective owners. Patent No. US5448263; US6141000; US6320597; US6326954; US6337681; US6741267; US6747636; US6803906; US6919880; US6947032; US6954197; US6972401; US7151533; US7184030; US7236162; CA2058219; CA2453873; EP1297488; ES2279823; ZL0181236.0; and DE60124549. Other patents pending. Contents are subject to change without notice. 08/2008

SMART
Technologies