

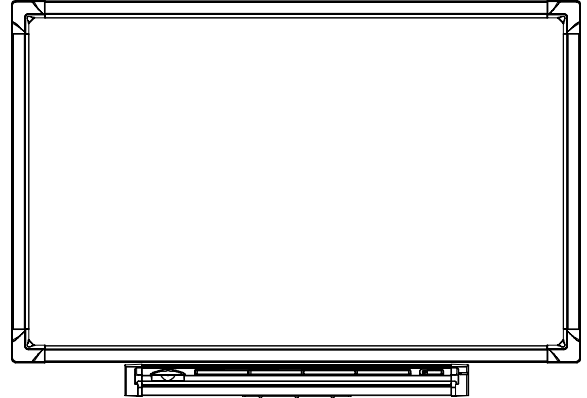
SMART Board™ for Flat-Panel Displays Interactive Whiteboard

Specifications – Model PR352 for select 52" plasma panels

NOTE: For a complete list of supported flat-panel displays, visit the SMART Technologies [website](#).

Physical Specifications

Interactive Whiteboard	55 1/4" W × 35 1/4" H × 2 3/8" D (140.3 cm × 89.5 cm × 6.1 cm)
Pen Tray	3 5/8" (9.2 cm) added to the interactive whiteboard's height 2" (5.1 cm) added to the interactive whiteboard's depth
Weight	61 lb. (27.7 kg)
Shipping Size	71" W × 55 1/4" H × 20 3/4" D (180.3 cm × 140.3 cm × 52.7 cm)
Shipping Weight	117 lb. (53.1 kg)



All dimensions +/- 1/8" (0.3 cm). All weights +/- 2 lb. (0.9 kg).

Standard Features

Software	Includes SMART Notebook software. See the SMART Notebook software specifications for a complete list of system requirements. Software upgrades are available at www2.smarttech.com/st/en-US/Support/SBS/ .
Pen Tray	Optical sensors in the pen tray detect when you lift a pen or eraser from the tray. LED indicators show the active tool. Includes four pen tray pens (black, blue, red and green), and an eraser. The pen tray connects to the interactive whiteboard with a modular cable, and then connects to a computer with a 21' 6" (6.5 m) USB/serial adapter cable. The USB/serial adapter cable has a DB9F connector at one end and a USB connector at the other end. You can order an optional serial cable. NOTE: To order the interactive whiteboard without the pen tray, add "NP" to the end of the model number. The pen tray is then replaced by an electronic controller that fastens behind the overlay.
Mounting Brackets	Four mounting brackets secure the interactive overlay to the flat-panel display with eight No. 8-32 thumbscrews.
Front Surface Material	Hard-coated, anti-glare plastic designed for optimal light transmission. Chemical and scratch resistant.
Digitizing Technology	DViT™ (Digital Vision Touch) technology uses digital cameras in the top two corners of the interactive whiteboard to track an object interacting with the display surface.
Flat-Panel Display Connections	Includes serial cable for flat-panel display control: 10' (3.1 m), DB9F-to-DB9F (not available for some models)
Power Requirements	Switching power supply, 100V to 250V AC, 47 Hz to 63 Hz, 12V DC, 4.2A, 6' (1.8 m) power cord
Power Consumption	Up to 40 W
Certifications and Compliance	CE, WEEE, RoHS (Europe), RoHS (China)
Warranty	Two-year limited equipment warranty

Specifications – Model PR352 for select 52" plasma panels

Installation Notes You can install the interactive overlay on a flat-panel display that is securely mounted to a wall or floor stand. Because of stability and mechanical fit issues, do not use table stands. You cannot attach speakers directly to the sides of a flat-panel display when an interactive overlay is installed.

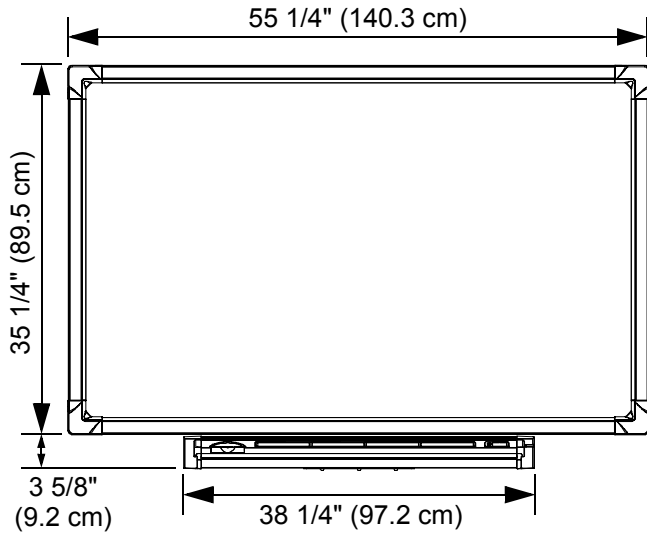
Storage and Operating Specifications

Storage -40°F to 95°F (-40°C to 35°C)
Operation 41°F to 95°F (5°C to 35°C) with up to 80% humidity non-condensing

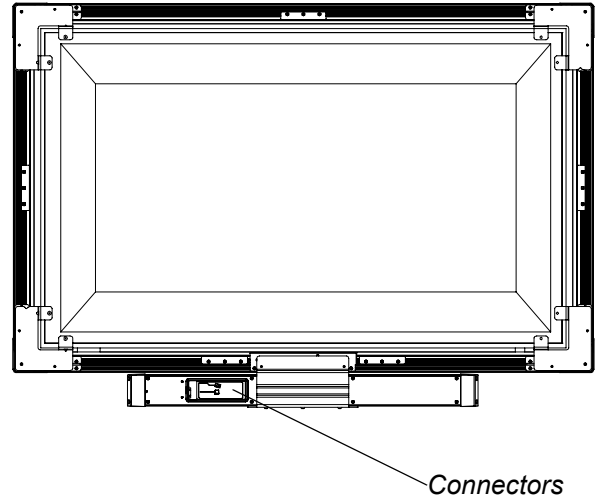
SMART Order Number

PR352 Interactive overlay for select 52" plasma panels
PR352NP Interactive overlay without pen tray for select 52" plasma panels
93-00360 Optional 20' (6.1 m) straight-through DB9F-to-DB9F serial cable for systems that don't support USB connections. Must be ordered separately.

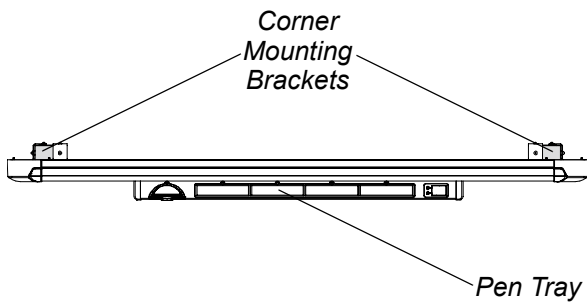
Front



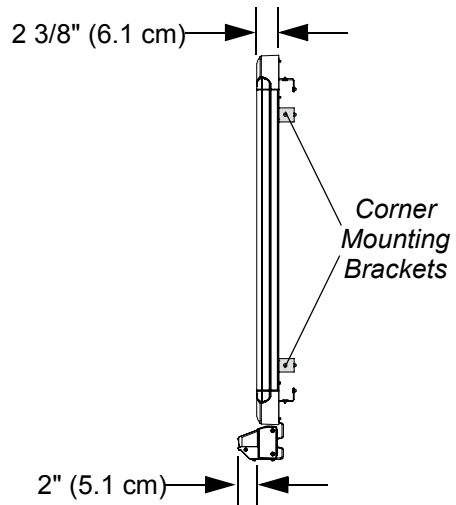
Back



Bottom



Side



All dimensions +/- 1/8" (0.3 cm)

www.smarttech.com/support www.smarttech.com/contactsupport
 Support +1.403.228.5940 or Toll Free 1.866.518.6791 (U.S./Canada)

© 2008-2009 SMART Technologies ULC. All rights reserved. SMART Board, the SMART logo, DVIT and smarttech are trademarks or registered trademarks of SMART Technologies ULC in the U.S. and/or other countries. Sharp is a registered trademark of Sharp Corporation. All other third-party product and company names may be trademarks of their respective owners. Patent No. US6320597; US5448263; US6141000; US6326954; US6337681; US6741267; US6747636; US6803906; US6919880; US6947032; US6954197; US6972401; US7151533; US7184030; US7236162; add CA2386094; CA2453873; EP1297488; ES2279823; ZL0181236.0; and DE60124549. Other patents pending. Contents are subject to change without notice. 02/2009.

SMART
Technologies