

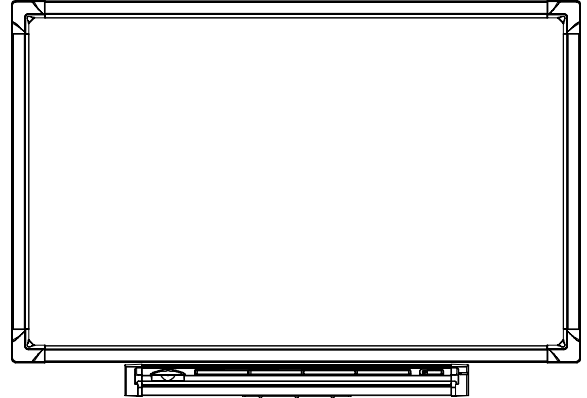
# SMART Board™ for Flat-Panel Displays Interactive Whiteboard

## Specifications – Model PR365 for select 65" plasma panels

**NOTE:** For a complete list of 300 series flat-panel displays, visit the SMART Technologies [website](#).

### Physical Specifications

<b>Interactive Whiteboard</b>	66 5/8" W × 42 1/8" H × 2 3/8" D (169.2 cm × 107 cm × 6 cm)
<b>Pen Tray</b>	3 5/8" (9.2 cm) added to the interactive whiteboard's height 2" (5.1 cm) added to the interactive whiteboard's depth
<b>Weight</b>	72 lb. (32.7 kg)
<b>Shipping Size</b>	75 1/2" W × 55 1/4" H × 26" D (191.8 cm × 140.3 cm × 66 cm)
<b>Shipping Weight</b>	162 lb. (73.5 kg)



All dimensions +/- 1/8" (0.3 cm). All weights +/- 2 lb. (0.9 kg).

### Standard Features

<b>Software</b>	Includes SMART Notebook software. See the <a href="#">SMART Notebook software specifications</a> for a complete list of system requirements. Software upgrades are available at <a href="http://www2.smarttech.com/st/en-US/Support/SBS/">www2.smarttech.com/st/en-US/Support/SBS/</a> .
<b>Pen Tray</b>	Optical sensors in the pen tray detect when you lift a pen or eraser from the tray. LED indicators show the active tool. Includes four pen tray pens (black, blue, red and green), and an eraser. The pen tray connects to the interactive whiteboard with a modular cable, and then connects to a computer with a 21' 6" (6.5 m) USB/serial adapter cable. The USB/serial adapter cable has a DB9F connector at one end and a USB connector at the other end. You can order an optional serial cable.  <b>NOTE:</b> To order the interactive whiteboard without the pen tray, add "NP" to the end of the model number. The pen tray is then replaced by an electronic controller that fastens behind the overlay.
<b>Mounting Brackets</b>	Four mounting brackets secure the interactive whiteboard to the flat-panel display with eight No. 8-32 thumbscrews.
<b>Front Surface Material</b>	Hard-coated, anti-glare plastic designed for optimal light transmission. Chemical and scratch resistant.
<b>Digitizing Technology</b>	DViT™ (Digital Vision Touch) technology uses digital cameras in the top two corners of the interactive whiteboard to track an object interacting with the display surface.
<b>Flat-Panel Display Connections</b>	Includes serial cable for flat-panel display control: 10' (3.1 m), DB9F-to-DB9F (not available for some models)
<b>Power Requirements</b>	Switching power supply, 100V to 250V AC, 47 Hz to 63 Hz, 12V DC, 4.2A, 6' (1.8 m) power cord
<b>Power Consumption</b>	Up to 40 W
<b>Certifications and Compliance</b>	CE, WEEE, RoHS (Europe), RoHS (China)
<b>Warranty</b>	Two-year limited equipment warranty

## Specifications – Model PR365 for select 65" plasma panels

**Installation Notes** You can install the interactive whiteboard on a flat-panel display that is securely mounted to a wall or floor stand. Because of stability and mechanical fit issues, do not use table stands. You cannot attach speakers directly to the sides of a flat-panel display when an interactive whiteboard is installed.

---

### Storage and Operating Specifications

**Storage** -40°F to 95°F (-40°C to 35°C)

**Operation** 41°F to 95°F (5°C to 35°C) with up to 80% humidity non-condensing

---

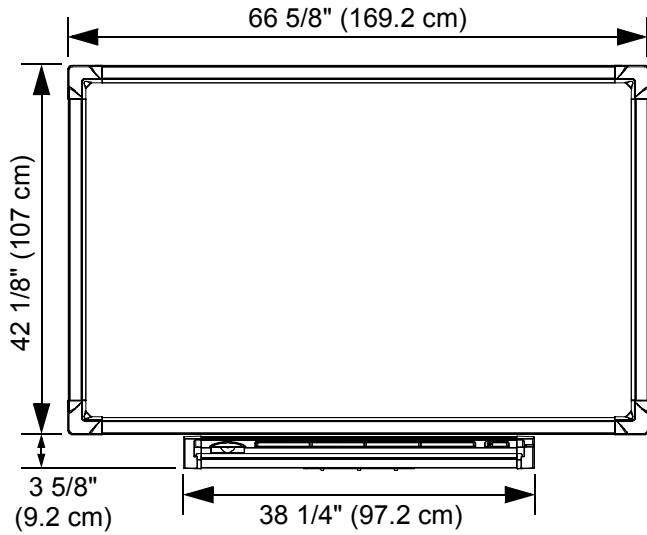
### SMART Order Number

**PR365** Interactive whiteboard for 65" plasma panels

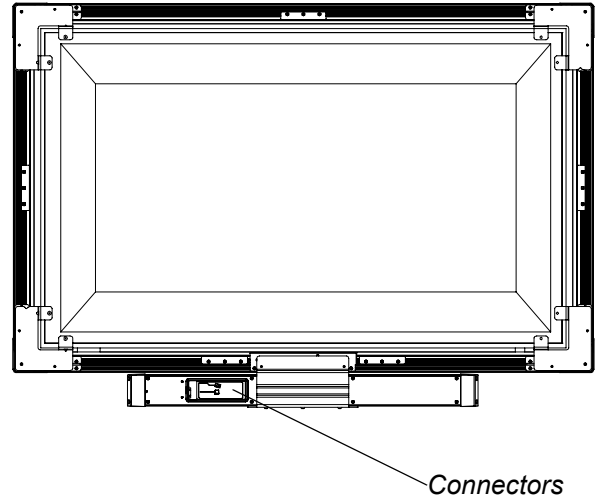
**PR365NP** Interactive whiteboard without pen tray for 65" plasma panels

**93-00360** Optional 20' (6.1 m) straight-through DB9F-to-DB9F serial cable for systems that don't support USB connections. Must be ordered separately.

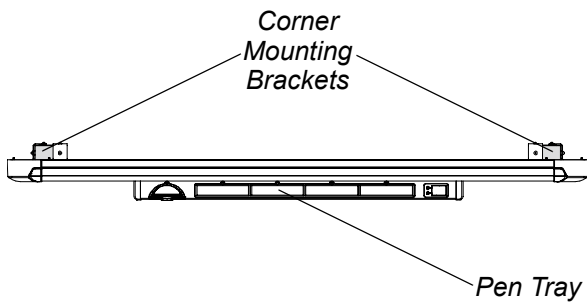
**Front**



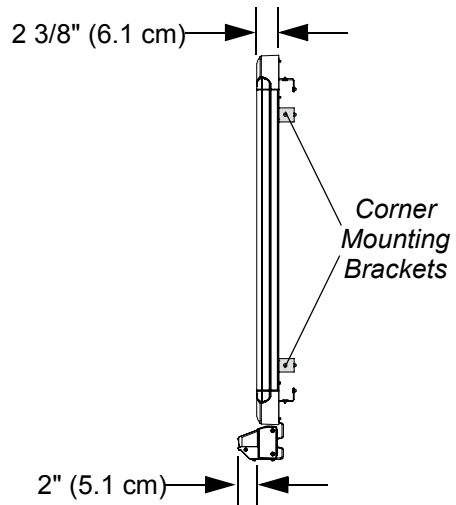
**Back**



**Bottom**



**Side**



All dimensions +/- 1/8" (0.3 cm)

[www.smarttech.com/support](http://www.smarttech.com/support) [www.smarttech.com/contactsupport](http://www.smarttech.com/contactsupport)  
 Support +1.403.228.5940 or Toll Free 1.866.518.6791 (U.S./Canada)

© 2008-2009 SMART Technologies ULC. All rights reserved. SMART Board, the SMART logo, DVIT and smarttech are trademarks or registered trademarks of SMART Technologies ULC in the U.S. and/or other countries. Sharp is a registered trademark of Sharp Corporation. All other third-party product and company names may be trademarks of their respective owners. Patent No.US6320597; US5448263; US6141000; US6326954; US6337681; US6741267; US6747636; US6803906; US6919880; US6947032; US6954197; US6972401; US7151533; US7184030; US7236162; add CA2386094; CA2453873; EP1297488; ES2279823; ZL0181236.0; and DE60124549. Other patents pending. Contents are subject to change without notice. 02/2009.

**SMART**  
Technologies