

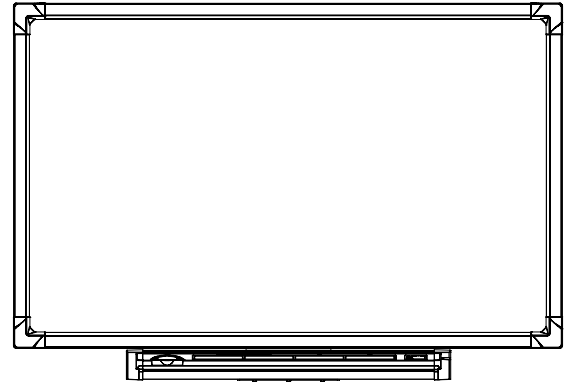
SMART Board™ for Flat-Panel Displays Interactive Whiteboard

Specifications – Model PX340 for Select 40" Flat Panels

NOTE: For a complete list of supported flat panels, visit www.smarttech.com/products/overlay/specs.asp.

Physical Specifications

Interactive Whiteboard	43 3/4" W × 29 1/4" H × 2 3/8" D (111.1 cm × 74.3 cm × 6.0 cm)
Mounting Bracket	40" W × 6 1/2" H × 3 3/4" to 5 7/8" D (101.6 cm × 16.5 cm × 9.5 cm to 14.9 cm)
Pen Tray	3 5/8" (9.2 cm) added to the interactive whiteboard's height 2" (5.1 cm) added to the interactive whiteboard's depth
Weight	52 lb. (23.6 kg)
Shipping Size	
1 unit	59" W × 48" H × 14" D (149.9 cm × 121.9 cm × 35.6 cm)
3 units on pallet	60" W × 54" H × 43" D (152.4 cm × 137.2 cm × 109.2 cm)
Shipping Weight	
1 unit	92 lb. (41.8 kg)
3 units on pallet	296 lb. (134.5 kg)



All dimensions +/- 1/8" (0.3 cm). All weights +/- 2 lb. (0.9 kg).

Standard Features

Software	SMART Notebook software included. See the SMART Notebook software specifications for a complete list of system requirements. Software upgrades are available at www2.smarttech.com/st/en-US/Support/SBS/ .
Pen Tray	Optical sensors in the pen tray detect when a pen or eraser is lifted from the tray. LED indicators show the active tool. Includes four pen tray pens (black, blue, red and green) and an eraser. The pen tray connects to the interactive whiteboard with a modular cable, and connects to a computer with a 21' 6" (6.5 m) USB/serial adapter cable. The USB/serial adapter cable has a DB9F connector at one end and a USB connector at the other. An optional serial cable is available. NOTE: To order the interactive whiteboard without the pen tray, add "NP" to the end of the model number. The pen tray is then replaced by an electronic controller that fastens behind the overlay frame.
Display Control Strip	The display control strip allows you to initiate sleep mode, select the input source, toggle the display mode and access the panel control menu. This feature is only available for the Windows® operating system.
Mounting Brackets	The mounting bracket has an adjustable depth feature to accommodate most 40" flat panels installed in landscape orientation.
Front Surface Material	Hard-coated, anti-glare polyester designed for optimal light transmission. Chemical and scratch resistant.
Digitizing Technology	DViT™ (Digital Vision Touch) technology uses digital cameras to track an object interacting with the display surface.
Flat-Panel Connection	Serial cable included for flat-panel control—10' (3.1 m), DB9F-to-DB9F (not available for some models)
Power Requirements	Switching power supply, 100V–250V AC, 47 Hz–63 Hz, 12V DC 4.2A, 6' (1.8 m) power cord
Power Consumption	Power consumption is up to 40 W.

Specifications – Model PX340 for Select 40" Flat Panels

Certifications and Compliance	CE, WEEE, RoHS (Europe)
Warranty	Two-year limited equipment warranty
Installation Notes	You can install the interactive whiteboard on a flat-panel that is securely mounted to a wall or floor stand. However, because of stability and mechanical fit issues, table stands are never to be used. You cannot attach speakers directly to the sides of a flat panel when an interactive whiteboard is installed.

Storage and Operating Specifications

Storage	-40°F to 95°F (-40°C to 35°C)
Operation	41°F to 95°F (5°C to 35°C) with up to 80% humidity non-condensing

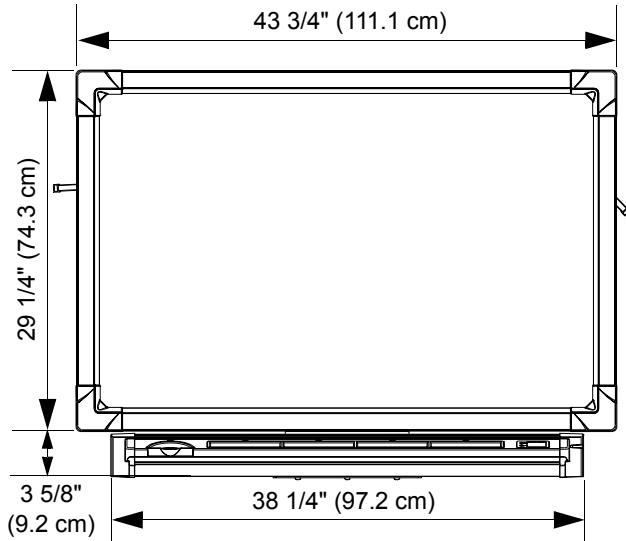
SMART Order Number

PX340	Interactive whiteboard for select 40" flat panels
PX340NP	Overlay without pen tray for select 40" flat panels
93-00360	Optional 20' (6.1 m) straight-through DB9F-to-DB9F serial cable for systems that don't support USB connections. Must be ordered separately.

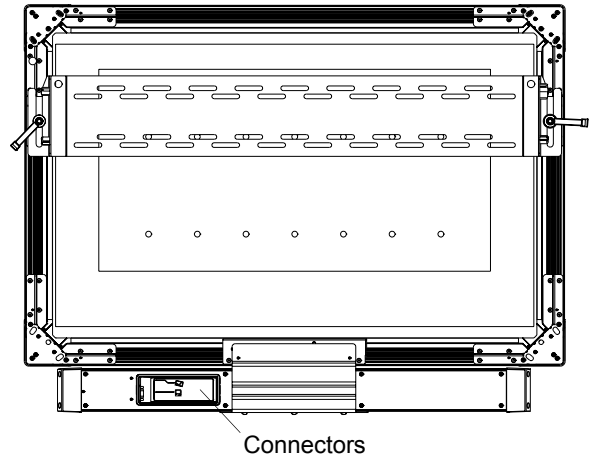
Specifications – Model PX340 for Select 40" Flat Panels

All dimensions +/- 1/8" (0.3 cm)

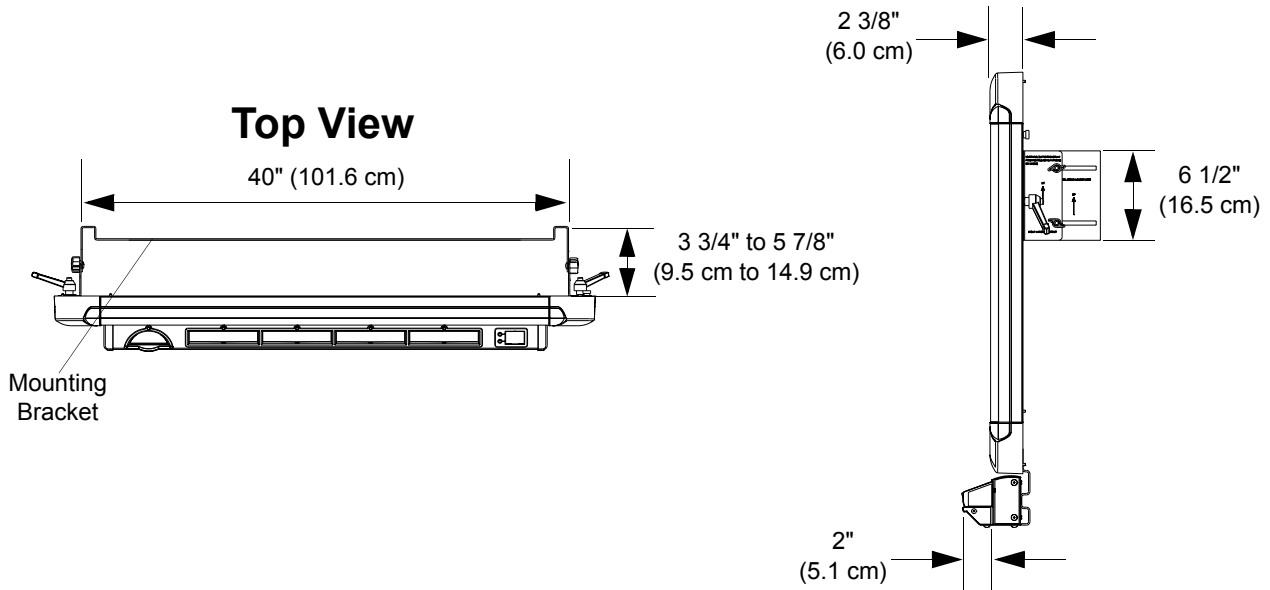
Front View



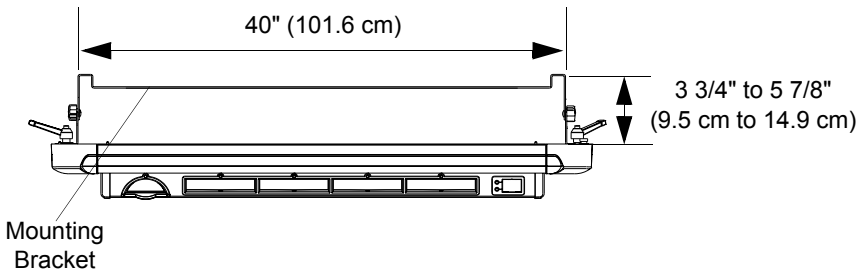
Back View



Side View



Top View



www.smarttech.com/support www.smarttech.com/contactsupport
Support +1.403.228.5940 or Toll Free 1.866.518.6791 (U.S./Canada)

© 2008 SMART Technologies ULC. All rights reserved. The SMART logo, SMART Board and smarttech are trademarks or registered trademarks of SMART Technologies ULC in the U.S. and/or other countries. All other third-party product and company names may be trademarks of their respective owners. Patent No. US5448263; US6141000; US6320597; US6326954; US6337681; US6741267; US6747636; US6803906; US6919880; US6947032; US6954197; US6972401; US7151533; US7184030; US7236162; CA2058219; CA2453873; EP1297488; ES2279823; ZL0181236.0; and DE60124549. Other patents pending. Contents are subject to change without notice. 08/2008

SMART
Technologies