

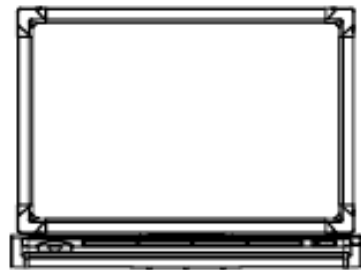
## Specifications

# SMART Board™ for Flat-Panel Displays Interactive Whiteboards

## Model PX352

### Physical Specifications

<b>Interactive Whiteboard</b>	55 1/4" W × 35 1/4" H × 2 3/8" D (140.3 cm × 89.5 cm × 6.1 cm)
<b>Mounting Bracket</b>	51" W × 7 1/2" H × 2 3/4" to 5 7/8" D (130 cm × 19.1 cm × 7.1 cm to 14.4 cm)
<b>Pen Tray</b>	3 5/8" (9.2 cm) added to the interactive whiteboard's height
<b>Weight</b>	78 lb. (35.4 kg)



All dimensions +/- 1/8" (0.3 cm). All weights +/- 2 lb. (0.9 kg)

### Standard Features

<b>Software</b>	SMART Notebook software included. See the <a href="#">SMART Notebook software specifications</a> for a complete list of system requirements. Software upgrades are available at <a href="http://www2.smarttech.com/st/en-US/Support/SBS/">www2.smarttech.com/st/en-US/Support/SBS/</a> .
<b>Pen Tray</b>	Optical sensors in the pen tray detect when you lift a pen or the eraser from the tray. LED indicators show the active tool. Includes four pen tray pens (black, blue, red and green) and an eraser. The pen tray connects to the interactive whiteboard with a modular cable, and connects to a computer with a 21' 6" (6.5 m) USB/serial adapter cable. The USB/serial adapter cable has a DB9F connector at one end and a USB connector at the other. An optional serial cable is available.

**i NOTE**

To order the interactive whiteboard without the pen tray, add “NP” to the end of the model number. The pen tray is then replaced by an electronic controller that fastens behind the overlay.

<b>Display Control Strip</b>	The display control strip allows you to initiate sleep mode, select the input source, toggle the display mode and access the panel control menu. This feature is available for Windows® operating systems only.
<b>Mounting Bracket</b>	The mounting bracket has an adjustable depth feature to accommodate most 52" flat-panel displays installed in landscape orientation.
<b>Front Surface Material</b>	Hard-coated, anti-glare plastic designed for optimal light transmission. Chemical and scratch resistant.
<b>Digitizing Technology</b>	DViT™ (Digital Vision Touch) technology uses digital cameras to track an object interacting with the display surface.
<b>Flat-Panel Display Connection</b>	Serial cable included for flat-panel display control - 10' (3.1 m), DB9F-to-DB9F (not available for some models)
<b>Power Requirements</b>	Switching power supply, 100V–250V AC, 47 Hz–63 Hz, 12V DC 4.2A, 6' (1.8 m) power cable
<b>Power Consumption</b>	Power consumption is up to 40 W.
<b>Regulatory Certification</b>	CE
<b>Environmental Compliance</b>	EU RoHS, EU WEEE, EU REACH, EU Packaging, EU Battery and Accumulator, US CPSIA, US Toxics in Packaging, China EIP
<b>Warranty</b>	Two-year limited equipment warranty
<b>Installation Notes</b>	You can install the interactive whiteboard on a flat-panel display that is securely mounted to a wall or floor stand. However, because of stability and mechanical fit issues, do not use a table stand. You're unable to attach speakers directly to the sides of a flat-panel display when an interactive whiteboard is installed.

## Storage and Operating Specifications

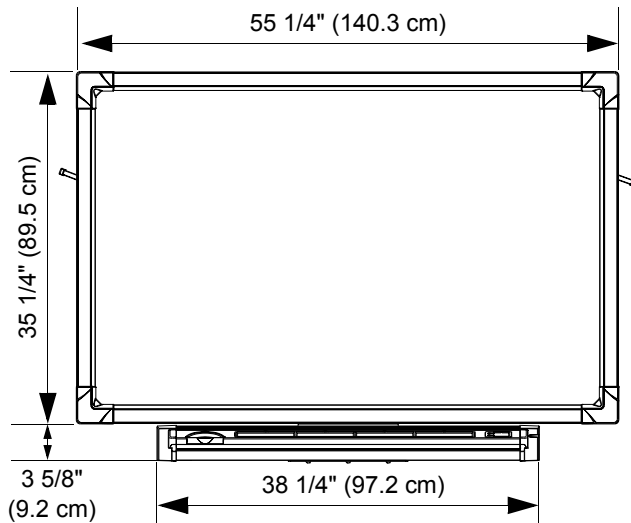
<b>Storage</b>	-40°F to 95°F (-40°C to 35°C) with up to 80% humidity (non-condensing)
<b>Operation</b>	41°F to 95°F (5°C to 35°C) with up to 80% humidity (non-condensing)

## SMART Order Numbers

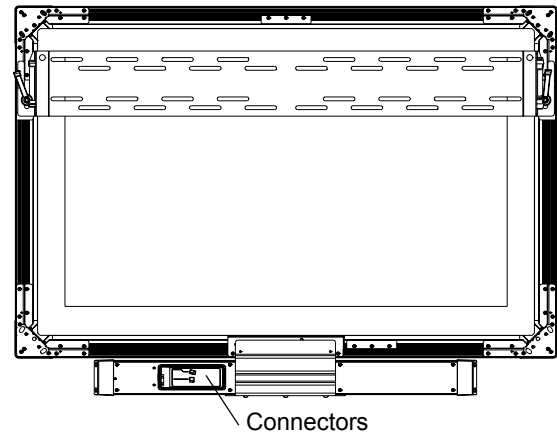
<b>PX352</b>	Interactive whiteboard for select 52" flat panels
<b>PX352NP</b>	Overlay without pen tray for select 52" flat panels
<b>93-00360</b>	Optional 20' (6.1 m) straight-through DB9F-to-DB9F serial cable for systems that don't support USB connections. Order separately.

## Physical Dimensions

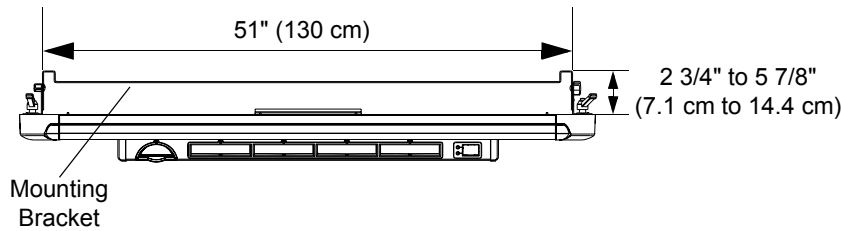
### Front View



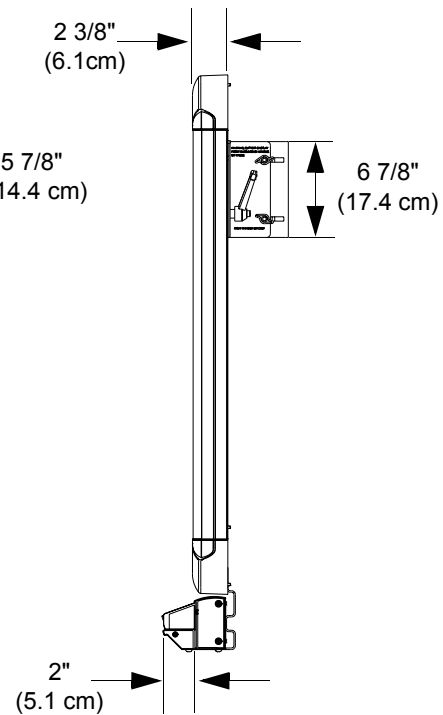
### Back View



### Top View



### Side View



[www.smarttech.com/support](http://www.smarttech.com/support) [www.smarttech.com/contactsupport](http://www.smarttech.com/contactsupport)  
Support +1.403.228.5940 or Toll Free 1.866.518.6791 (U.S./Canada)

**SMART**<sup>TM</sup>

©2009 SMART Technologies ULC. All rights reserved. The SMART logo, SMART Board and smarttech are trademarks or registered trademarks of SMART Technologies ULC in the U.S. and/or other countries. All other third-party product and company names may be trademarks of their respective owners. Patent No. US6320597; US6326954; US6741267; US6803906; US6919880; US6947032; US6954197; US6972401; US7151533; US7184030; US7236162; US7411575; CA2252302; CA2386094; CA2453873; EP1297488; ES2279823; ZL0181236.0; and DE60124549. Other patents pending. Contents are subject to change without notice. 04/2009.