



Specifications

SMART Board® 4055 interactive flat panel

Model SPNL-4055

Overview

Designed specifically for classrooms, the SMART Board® 4055 interactive flat panel combines a premium touch experience with the power of SMART Notebook® collaborative learning software on a 55" display.

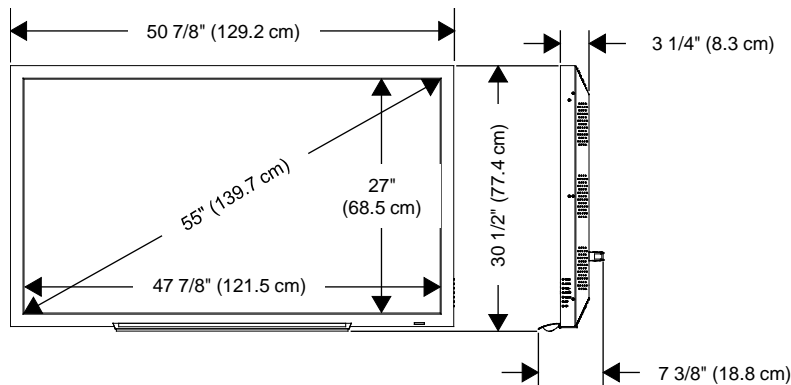
The high-definition, shadow-free 55" (139.7 cm) LED display features low-friction coated glass that lets fingers glide smoothly over the surface, creating a natural touch experience. The SMART Board 4055 interactive flat panel also virtually eliminates glare and provides an optimal view from any angle in the classroom. It delivers an unparalleled viewing and writing experience, and offers the best value for classrooms. With eight simultaneous touch points for Windows, multiple students can use gestures, like zoom, rotate and flip, at the same time.

See education.smarttech.com for more information on this product.



Dimensions and weights*

Dimensions



Weight

116 lb. 13 oz. (53 kg)

Shipping dimensions (including pallet)

One interactive flat panel

54 1/2" W × 40 3/8" H × 11" D
(138.5 cm × 102.5 cm × 28 cm)

Three interactive flat panels

54 1/2" W × 40 3/8" H × 33 1/8" D
(138.5 cm × 102.5 cm × 84 cm)

Shipping weight

One interactive flat panel

132 lb. 4 oz. (60 kg)

Three interactive flat panels

401 lb. 4 oz. (182 kg)

*All dimensions ± 1/8" (0.3 cm). All weights ± 2 lb. (0.9 kg).

Hardware

Touch technology	Infrared
Multitouch capabilities	Eight touch on computers with Windows® 7, 8 and 10 operating systems
Gestures	Supports gestures on Windows 7, 8 and 10 operating system, and OS X 10.7 or 10.8 operating systems software
Pixel pitch	0.630 mm
Horizontal frequency	57 kHz–70 kHz
Vertical frequency	57 Hz–63 Hz
Contrast ratio (typical)	1400:1
Brightness	300 cd/m ²
Gamut	68% of NTSC
Viewing angle	178 degrees
Response time	8 ms
Optimum resolution	1920 × 1080 at 60 Hz (16:9)
Audio	Two 10 W speakers
Mounting holes	For a VESA® 600 mm × 400 mm mounting plate

Accessories

Pens and pen tray	One pen tray and two ergonomic pens with comfort grip
Power cord	Australia/New Zealand, North America, Europe and UK
Remote control	Infrared remote control
VGA cable	6' (1.8 m) D-sub 15-pin connector
USB cable (touch)	9' 5/16" (3 m) USB A/B Type

Connectors

HDMI	Three HDMI connections input
RGB D Sub (VGA)	D-sub 15-pin connections input
Component	Five RCA inputs (Y, Pb, Pr, L, R)
Composite	RCA analog audio and composite video inputs (red, white and yellow)
SPDIF	SPDIF optical output
USB A	USB A (media access)

USB B	USB B (touch)
PC audio	3.5 mm stereo input
AC power	IEC 60320-C14 Socket

Installation requirements

Interactive flat panel	See the <i>SMART Board 4000 series interactive flat panel installation guide</i> (smarttech.com/kb/170799)
Computer	See smarttech.com/SMARTNotebookReleaseNotes

Cable requirements

HDMI	HDMI 1.4 compliant or better Maximum length: 23' (7 m) Notes: Use only certified HDMI cables that have been tested to support the performance standard you require. The performance of cables longer than 23' (7 m) is highly dependent on the quality of the cable.
USB	Maximum length: 10' (3 m)
VGA	Maximum length: 23' (7 m)
All other analog video	Maximum length: 13' (4 m)
Important	Using cables that exceed these maximum lengths may produce unexpected results or degraded picture quality or USB connectivity. Refer to the <i>SMART installation standards</i> (smarttech.com/kb/171035) for a comprehensive guide on cables and extensions for SMART hardware products.

Operating and storage requirements

Power supply	100V AC to 240V AC, 50 Hz to 60 Hz
Power consumption	125 W maximum
Standby power	<0.5 W
Operating temperature	41°F to 95°F (5°C to 35°C)
Operating humidity	10% to 80%, non-condensing
Storage temperature	-4°F to 140°F (-20°C to 60°C)
Storage humidity	5% to 95%, non-condensing

Certification and compliance

Regulatory certification UL/c-UL (U.S. and Canada), FCC, IC and CE

Environmental compliance

European Union REACH, RoHS, WEEE, Battery, Packaging and ErP Standby

U.S. Packaging and Conflict Minerals

Warranty

Two-year limited equipment warranty
One or three-year extensions available

Purchasing information

Order numbers

SPNL-4055 SMART Board 4055 interactive flat panel, including a SMART Notebook software installation DVD

Optional accessories See smarttech.com/accessories

smarttech.com/support
smarttech.com/contactsupport

© 2016 SMART Technologies ULC. All rights reserved. SMART Board, smarttech, the SMART logo and all SMART taglines are trademarks or registered trademarks of SMART Technologies ULC in the U.S. and/or other countries. All third-party product and company names may be trademarks of their respective owners. This product and/or use thereof is covered by one or more of the following U.S. patents: www.smarttech.com/patents. Contents are subject to change without notice. 10/2016.