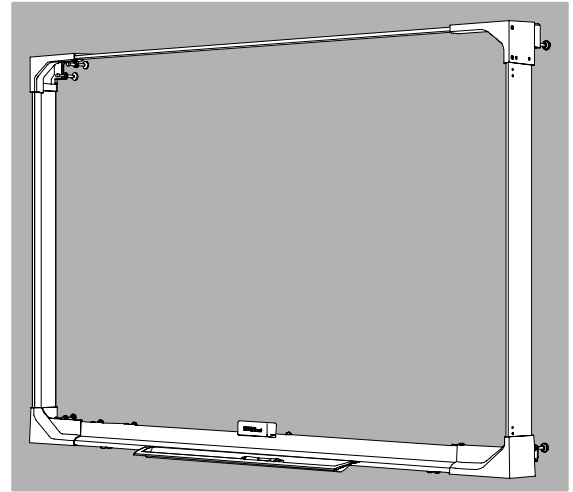


SMART Board™ interactive display frame

Specifications – Model PX465 for select 65" plasma panels

Physical Specifications

Maximum Size (interactive display after installation on the plasma panel)	63 1/2" W × 40" H × 6 5/8" D (161.3 cm × 101.6 cm × 16.8 cm)
Minimum Size (interactive display after installation on the plasma panel)	61 3/8" W × 37 1/4" H × 6 5/8" D (156 cm × 94.6 cm × 16.8 cm)
System Weight (with controller box)	11 lb. (5 kg)
Shipping Size	57 1/2" W × 9 5/8" H × 8 1/4" D (146 cm × 24.4 cm × 21 cm)
Shipping Weight	20 lb. (9.1 kg)



All dimensions +/- 1/8" (0.3 cm). All weights +/- 2 lb. (0.9 kg).

NOTE: The interactive display frame does not include a plasma panel.

CAUTION: You should only use the SMART Board™ interactive display frame with a supported plasma panel. Please see our list of currently supported displays at www.smarttech.com/supportedpanels. Using an unsupported panel may result in damage to the panel.

Standard Features

Digitizing Technology	DViT™ (Digital Vision Touch) technology uses digital cameras to track objects interacting with the display surface.
Installation	The SMART Board interactive display frame consists of four corner blocks and four frame sections that attach to your display, transforming it into an interactive screen. Install the interactive display frame after you install your display panel on a wall or floor stand.
Direct Screen Touch	Contact between a finger and the display panel is interpreted as a mouse click, enabling you to perform normal computer operations. Direct contact with the screen ensures there is no parallax or image distortion.
Digital Pencil	The pencil communicates with the interactive display frame. Contact between the tip of the pencil and the display panel produces digital ink on the screen, and contact between the opposite end of the pencil and the display panel erases digital ink. You don't have to return the pencil to the pencil ledge between writing and erasing. The pencil requires a AAA battery (included). Replacement pencil nibs are included. CAUTION: SMART recommends that you only write on your interactive display frame with the digital pencil. Other objects may scratch or damage the panel's display surface. Replace the pencil nib when it wears down, as you might scratch or damage the panel's display surface.
Pencil Ledge	The ledge provides convenient access to the digital pencil.
Controller Box	The controller box connects to two digital cameras located in the bottom corner blocks. It processes data from these cameras and sends data to a connected computer, SMART Hub SE240 or SMART Hub PE260.

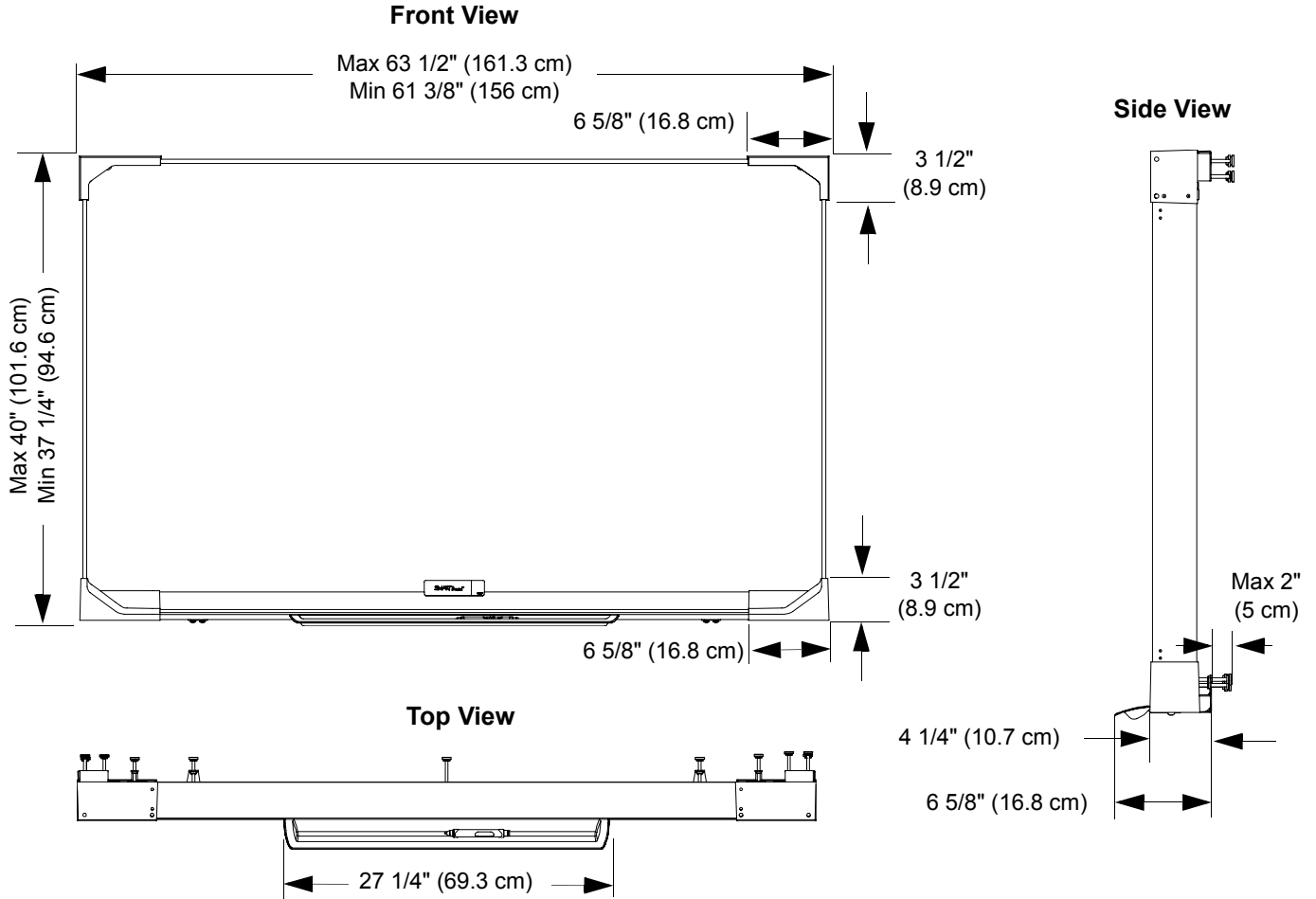
Specifications – Model PX465 for select 65" plasma panels

Connections	One 16 1/2' (5 m) USB 2.0 cable connects the controller box to the computer's USB 2.0 port. Two 10' (3 m) cables connect the cameras to the controller box.
Power Requirements	Power supply 100V–240V AC, 50 Hz–60 Hz; Output 5V DC, 2.6A; 6' (1.8 m) power cable.
Certifications and Compliance	CSA (U.S./Canada), CB, CE, FCC, RoHS (China), RoHS (Europe), WEEE
Warranty	Two-year, limited equipment warranty. See warranty documents for details.
Software	SMART Notebook software included. See the SMART Notebook software specifications for a complete list of system requirements. Software upgrades are available at www2.smarttech.com/st/en-US/Support/SBS/ .

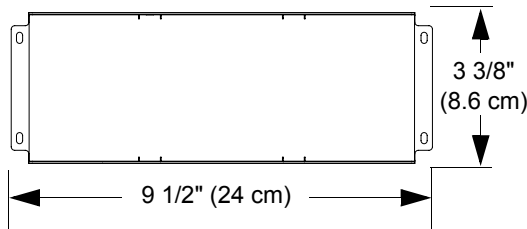
SMART Order Number

PX465	SMART Board interactive display frame for select 65" plasma panels
--------------	--

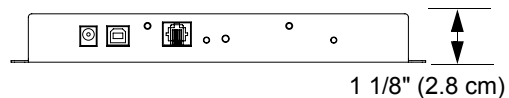
Dimensions



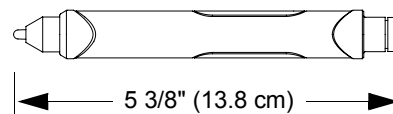
Controller Box Top View



Controller Box Side View



Pencil Side View



NOTE: The SMART Board interactive display frame adds 7/8" (2.2 cm) to the width, 2" (5.2 cm) to the height and approximately 3 7/8" (9.8 cm) to the depth of your display panel.