

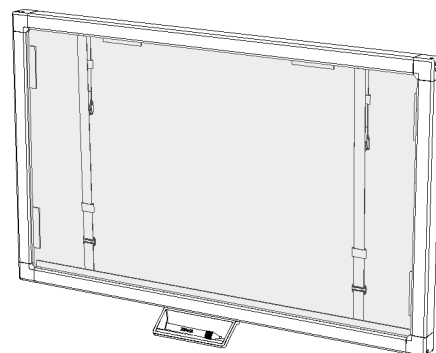
## Specifications

# SMART Board™ interactive display overlay

Model SBID-L442-MP

### Physical specification

<b>Size</b>	42 3/8" W × 28 1/4" H × 4 1/2" D (107.7 cm × 71.7 cm × 11.5 cm)
<b>Active screen size</b>	42" (106.7 cm) diagonal
<b>Weight</b>	29 lb. 2 oz. (13.2 kg)
<b>Shipping size</b>	52 5/8" W × 32 1/2" H × 4 3/4" D (133.7 cm × 82.7 cm × 12 cm)
<b>Shipping weight</b>	43 lb. 10 oz. (19.8 kg)



All dimensions +/- 1/8" (0.3 cm). All weights +/- 2 lb. (0.9 kg).

### Standard features

<b>Installation</b>	Can be installed on a wall-mounted flat-panel display (wall mounting hardware isn't included) or mounted on the SMART Mobile Stand for interactive displays (not included).
<b>Digitizing technology</b>	DViT™ (Digital Vision Touch) technology
<b>Touch resolution</b>	2000 × 2000 touch points
<b>Touch input area</b>	5 mm or greater. Accepts touch by finger or included pen.
<b>Touch response time</b>	Typically 14 ms
<b>Multitouch</b>	Supports multitouch gestures for Windows® 7 operating system when the multitouch driver is installed. See the <i>SMART Board 400 series interactive display overlay user's guide</i> ( <a href="http://smartechnology.com/kb/160506">smartechnology.com/kb/160506</a> ) for more information.

Extraordinary made simple™

**SMART**™

## SPECIFICATIONS

SMART Board Interactive Display Overlay – Model SBID-L442-MP

<b>Hardware</b>	
Overlay	Black and powder-coated
Glass	5 mm tempered glass
<b>Included connectors and components</b>	<ul style="list-style-type: none"><li>• 9' 10" (3 m) USB cable</li><li>• Pen ledge</li><li>• Pen</li><li>• Replacement pen nibs (x4)</li><li>• SMART GoWire™ auto-launch cable for business For more information, see the <i>SMART GoWire auto-launch cable for SMART Meeting Pro and SMART Meeting Pro Premium software specifications</i> (<a href="http://smarttech.com/kb/151506">smarttech.com/kb/151506</a>).</li></ul>
<b>Computer requirements</b>	<ul style="list-style-type: none"><li>• Windows XP or Windows 7 operating systems (32-bit and 64-bit)</li><li>• See the SMART Meeting Pro™ software release notes for additional computer requirements.</li></ul>
<b>Warranty</b>	Two-year limited equipment warranty

## Storage and operating requirements

<b>Power supply</b>	The computer provides power through the included USB cable.
<b>Power consumption</b>	350 mA

### **i** NOTES

- Power consumption increases 100 mA when you use the SMART GoWire cable for business.
- Power consumption increases 200 mA when you use a Cat 5 USB extender. You require a powered hub to use the Cat 5 USB extender with an interactive display overlay.

<b>Storage temperature</b>	-13°F to 185°F (-25°C to 85°C) at 5% to 98% relative humidity, non-condensing
<b>Operating temperature</b>	32°F to 104°F (0°C to 40°C) at 10% to 90% relative humidity, non-condensing
<b>Certification</b>	CE, FCC , WEEE, EU RoHS, China EIP

## SPECIFICATIONS

SMART Board Interactive Display Overlay – Model SBID-L442-MP

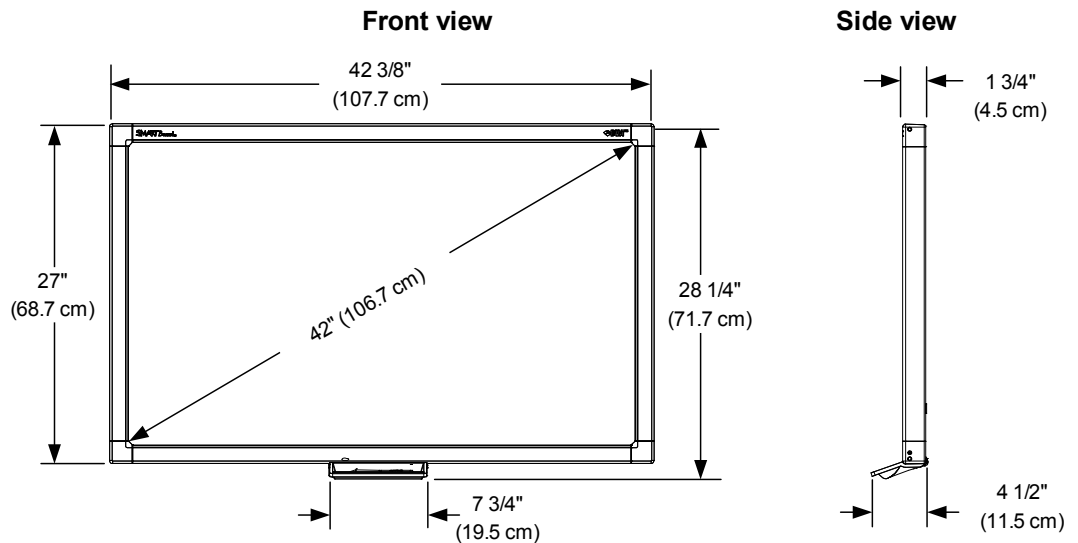
### SMART order numbers

**Interactive display overlays** For a complete list of interactive display overlays and their compatible flat-panel displays, see the *SMART Board 400 series interactive display overlay flat-panel display fit list* ([smarttech.com/kb/160508](http://smarttech.com/kb/160508)).

### Optional accessories

<b>CAT5-XT</b>	Cat 5 USB extender
<b>RPENLEDGE-SBID4</b>	Replacement pen ledge for the SMART Board 400 series interactive display overlay
<b>RPEN-SBID4</b>	Replacement pen and pen nibs for the SMART Board 400 series interactive display overlay
<b>GW-MP</b>	SMART GoWire cable for business

### Physical dimensions



[smarttech.com/support](http://smarttech.com/support)  
[smarttech.com/contactsupport](http://smarttech.com/contactsupport)

© 2011 SMART Technologies ULC. All rights reserved. SMART Board, DVIT, SMART Meeting Pro, SMART GoWire, smarttech, the SMART logo and all SMART taglines are trademarks or registered trademarks of SMART Technologies ULC in the U.S. and/or other countries. All third-party product and company names may be trademarks of their respective owners. One or more of the following patents: US6320597; US6326954; US6563491; US6741267; US6947032; US6954197; US7151533; US7411575; US7499033; US7619617; US7629987; US7643006; US7692625; US7757001; US7880720; US7932899; USD612396; USD616462; USD617332; and USD636784. Other patents pending. Contents are subject to change without notice. 11/2011.