

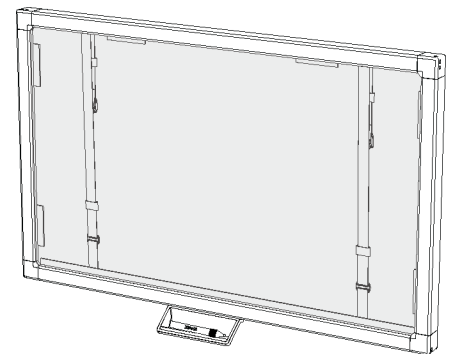
## Specifications

# SMART Board™ interactive display overlay

## Model SBID-L442

### Physical specification

<b>Size</b>	42 3/8" W × 28 1/4" H × 4 1/2" D (107.7 cm × 71.7 cm × 11.5 cm)
<b>Active screen size</b>	42" (106.7 cm) diagonal
<b>Weight</b>	29 lb. 2 oz. (13.2 kg)
<b>Shipping size</b>	52 5/8" W × 32 1/2" H × 4 3/4" D (133.7 cm × 82.7 cm × 12 cm)
<b>Shipping weight</b>	42 lb. 12 oz. (19.4 kg)



All dimensions +/- 1/8" (0.3 cm). All weights +/- 2 lb. (0.9 kg).

### Standard features

<b>Installation</b>	Can be installed on a wall-mounted flat-panel display (wall mounting hardware isn't included) or mounted on the SMART Mobile Stand for interactive displays (not included).
<b>Digitizing technology</b>	DViT™ (Digital Vision Touch) technology
<b>Touch resolution</b>	2000 × 2000 touch points
<b>Touch input area</b>	5 mm or greater. Accepts touch by finger or included pen.
<b>Touch response time</b>	Typically 14 ms
<b>Multitouch</b>	Supports multitouch gestures for Windows® 7 operating system when the multitouch driver is installed. See the <i>SMART Board 400 series interactive display overlay user's guide</i> ( <a href="http://smartechnology.com/kb/160506">smartechnology.com/kb/160506</a> ) for more information.

Extraordinary made simple™

**SMART**™

## SPECIFICATIONS

SMART Board Interactive Display Overlay – Model SBID-L442

### Hardware

Overlay Black and powder-coated

Glass 5 mm tempered glass

### Included connectors and components

- 9' 10" (3 m) USB cable
- Pen ledge
- Pen
- Replacement pen nibs (x4)

### Computer requirements

- Windows computers
- Windows XP, Windows Vista® SP2 and Windows 7 operating systems (32-bit and 64-bit)
  - See the SMART Notebook™ collaborative learning software release notes for additional computer requirements.
- Mac computers
- Mac OS X operating system software
  - See the SMART Notebook software release notes for additional computer requirements.

**Warranty** Two-year limited equipment warranty

## Storage and operating requirements

**Power supply** The computer provides power through the included USB cable.

**Power consumption** 350 mA

**Storage temperature** -13°F to 185°F (-25°C to 85°C) at 5% to 98% relative humidity, non-condensing

**Operating temperature** 32°F to 104°F (0°C to 40°C) at 10% to 90% relative humidity, non-condensing

**Certification** CE, FCC , WEEE, EU RoHS, China EIP

## SPECIFICATIONS

SMART Board Interactive Display Overlay – Model SBID-L442

### SMART order numbers

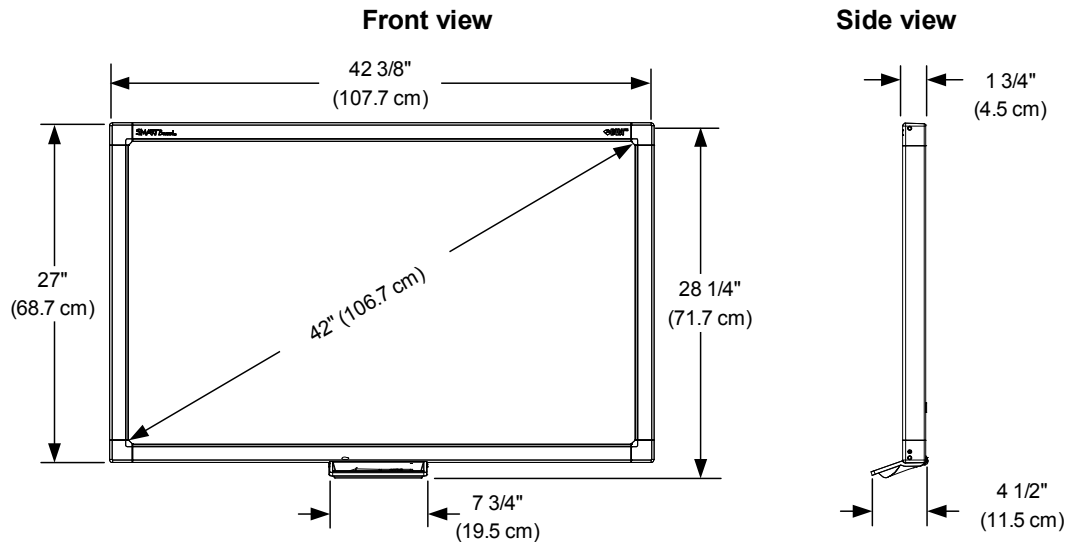
#### Interactive display overlays

For a complete list of interactive display overlays and their compatible flat-panel displays, see the *SMART Board 400 series interactive display overlay flat-panel display fit list* ([smarttech.com/kb/160508](http://smarttech.com/kb/160508)).

### Optional accessories

<b>CAT5-XT</b>	Cat 5 USB extender
<b>RPENLEDGE-SBID4</b>	Replacement pen ledge for the SMART Board 400 series interactive display overlay
<b>RPEN-SBID4</b>	Replacement pen and pen nibs for the SMART Board 400 series interactive display overlay

### Physical dimensions



[smarttech.com/support](http://smarttech.com/support)  
[smarttech.com/contactsupport](http://smarttech.com/contactsupport)

© 2011 SMART Technologies ULC. All rights reserved. SMART Board, DVIT, SMART Notebook, , smarttech, the SMART logo and all SMART taglines are trademarks or registered trademarks of SMART Technologies ULC in the U.S. and/or other countries. All third-party product and company names may be trademarks of their respective owners. One or more of the following patents: US6320597; US6326954; US6563491; US6741267; US6947032; US6954197; US7151533; US7411575; US7499033; US7619617; US7629987; US7643006; US7692625; US7757001; US7880720; US7932899; USD612396; USD616462; USD617332 and USD636784. Other patents pending. Contents are subject to change without notice. 11/2011.