

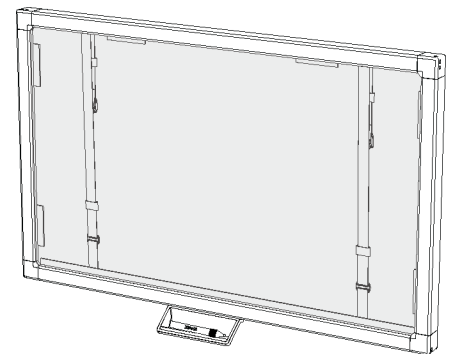
## Specifications

# SMART Board™ interactive display overlay

## Model SBID-L446

### Physical specification

|                           |  |
|---------------------------|--|
| <b>Size</b>               | 45 5/8" W × 28 7/8" H × 4 1/2" D<br>(115.8 cm × 73.4 cm × 11.5 cm) |
| <b>Active screen size</b> | 46" (116.8 cm) diagonal  |
| <b>Weight</b>             | 31 lb. 5 oz. (14.2 kg)   |
| <b>Shipping size</b>      | 55 7/8" W × 33 1/4" H × 4 3/4" D<br>(141.8 cm × 84.4 cm × 12 cm)   |
| <b>Shipping weight</b>    | 45 lb. (20.4 kg)   |



All dimensions +/- 1/8" (0.3 cm). All weights +/- 2 lb. (0.9 kg).

### Standard features

|                              |   |
|------------------------------|---|
| <b>Installation</b>          | Can be installed on a wall-mounted flat-panel display (wall mounting hardware isn't included) or mounted on the SMART Mobile Stand for interactive displays (not included).   |
| <b>Digitizing technology</b> | DViT™ (Digital Vision Touch) technology   |
| <b>Touch resolution</b>      | 2000 × 2000 touch points  |
| <b>Touch input area</b>      | 5 mm or greater. Accepts touch by finger or included pen.   |
| <b>Touch response time</b>   | Typically 14 ms   |
| <b>Multitouch</b>            | Supports multitouch gestures for Windows® 7 operating system when the multitouch driver is installed. See the <i>SMART Board 400 series interactive display overlay user's guide</i> ( <a href="http://smartechnology.com/kb/160506">smartechnology.com/kb/160506</a> ) for more information. |

Extraordinary made simple™

**SMART**™

## SPECIFICATIONS

SMART Board Interactive Display Overlay – Model SBID-L446

### Hardware

Overlay Black and powder-coated

Glass 5 mm tempered glass

### Included connectors and components

- 9' 10" (3 m) USB cable
- Pen ledge
- Pen
- Replacement pen nibs (x4)

### Computer requirements

- Windows computers
- Windows XP, Windows Vista® SP2 and Windows 7 operating systems (32-bit and 64-bit)
  - See the SMART Notebook™ collaborative learning software release notes for additional computer requirements.
- Mac computers
- Mac OS X operating system software
  - See the SMART Notebook software release notes for additional computer requirements.

**Warranty** Two-year limited equipment warranty

## Storage and operating requirements

**Power supply** The computer provides power through the included USB cable.

**Power consumption** 350 mA

**Storage temperature** -13°F to 185°F (-25°C to 85°C) at 5% to 98% relative humidity, non-condensing

**Operating temperature** 32°F to 104°F (0°C to 40°C) at 10% to 90% relative humidity, non-condensing

**Certification** CE, FCC , WEEE, EU RoHS, China EIP

## SPECIFICATIONS

SMART Board Interactive Display Overlay – Model SBID-L446

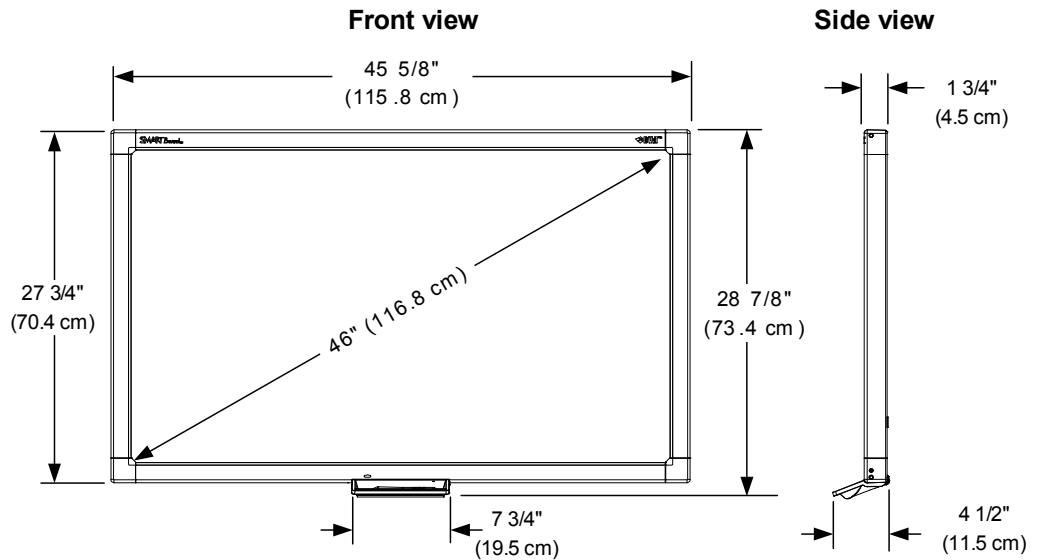
### SMART order numbers

**Interactive display overlays** For a complete list of interactive display overlays and their compatible flat-panel displays, see the *SMART Board 400 series interactive display overlay flat-panel display fit list* ([smarttech.com/kb/160508](http://smarttech.com/kb/160508)).

### Optional accessories

- CAT5-XT** Cat 5 USB extender
- RPENLEDGE-SBID4** Replacement pen ledge for the SMART Board 400 series interactive display overlay
- RPEN-SBID4** Replacement pen and pen nibs for the SMART Board 400 series interactive display overlay

### Physical dimensions



[smarttech.com/support](http://smarttech.com/support)  
[smarttech.com/contactsupport](http://smarttech.com/contactsupport)

© 2011 SMART Technologies ULC. All rights reserved. SMART Board, DVIT, SMART Notebook, , smarttech, the SMART logo and all SMART taglines are trademarks or registered trademarks of SMART Technologies ULC in the U.S. and/or other countries. All third-party product and company names may be trademarks of their respective owners. One or more of the following patents: US6320597; US6326954; US6563491; US6741267; US6947032; US6954197; US7151533; US7411575; US7499033; US7619617; US7629987; US7643006; US7692625; US7757001; US7880720; US7932899; USD612396; USD616462; USD617332 and USD636784. Other patents pending. Contents are subject to change without notice. 11/2011.