

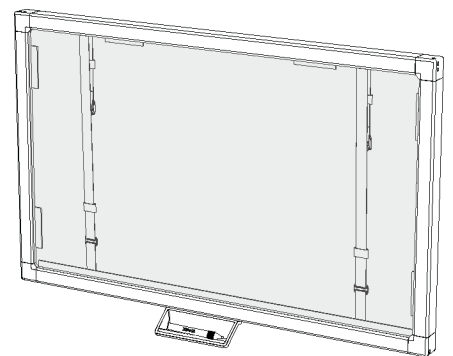
Specifications

SMART Board™ interactive display overlay

Model SBID-S452

Physical specification

Size	50 3/8" × 31 3/4" H × 4 1/2" D (128.1 cm × 80.7 cm × 11.5 cm)
Active screen size	52" (132.1 cm) diagonal
Weight	39 lb. (17.7 kg)
Shipping size	60 5/8" × 36 1/8" H × 4 3/4" D (154.1 cm × 91.7 cm × 12 cm)
Shipping weight	50 lb. 8 oz. (22.9 kg)



All dimensions +/- 1/8" (0.3 cm). All weights +/- 2 lb. (0.9 kg).

Standard features

Installation	Can be installed on a wall-mounted flat-panel display (wall mounting hardware isn't included) or mounted on the SMART Mobile Stand for interactive displays (not included).
Digitizing technology	DViT™ (Digital Vision Touch) technology
Touch resolution	2000 × 2000 touch points
Touch input area	5 mm or greater. Accepts touch by finger or included pen.
Touch response time	Typically 14 ms
Multitouch	Supports multitouch gestures for Windows® 7 operating system when the multitouch driver is installed. See the <i>SMART Board 400 series interactive display overlay user's guide</i> (smartechnology.com/kb/160506) for more information.

Extraordinary made simple™

SMART™

SPECIFICATIONS

SMART Board Interactive Display Overlay – Model SBID-S452

Hardware

Overlay Black and powder-coated

Glass 5 mm tempered glass

Included connectors and components

- 9' 10" (3 m) USB cable
- Pen ledge
- Pen
- Replacement pen nibs (x4)

Computer requirements

- Windows computers
- Windows XP, Windows Vista® SP2 and Windows 7 operating systems (32-bit and 64-bit)
 - See the SMART Notebook™ collaborative learning software release notes for additional computer requirements.
- Mac computers
- Mac OS X operating system software
 - See the SMART Notebook software release notes for additional computer requirements.

Warranty Two-year limited equipment warranty

Storage and operating requirements

Power supply The computer provides power through the included USB cable.

Power consumption 350 mA

Storage temperature -13°F to 185°F (-25°C to 85°C) at 5% to 98% relative humidity, non-condensing

Operating temperature 32°F to 104°F (0°C to 40°C) at 10% to 90% relative humidity, non-condensing

Certification CE, FCC , WEEE, EU RoHS, China EIP

SPECIFICATIONS

SMART Board Interactive Display Overlay – Model SBID-S452

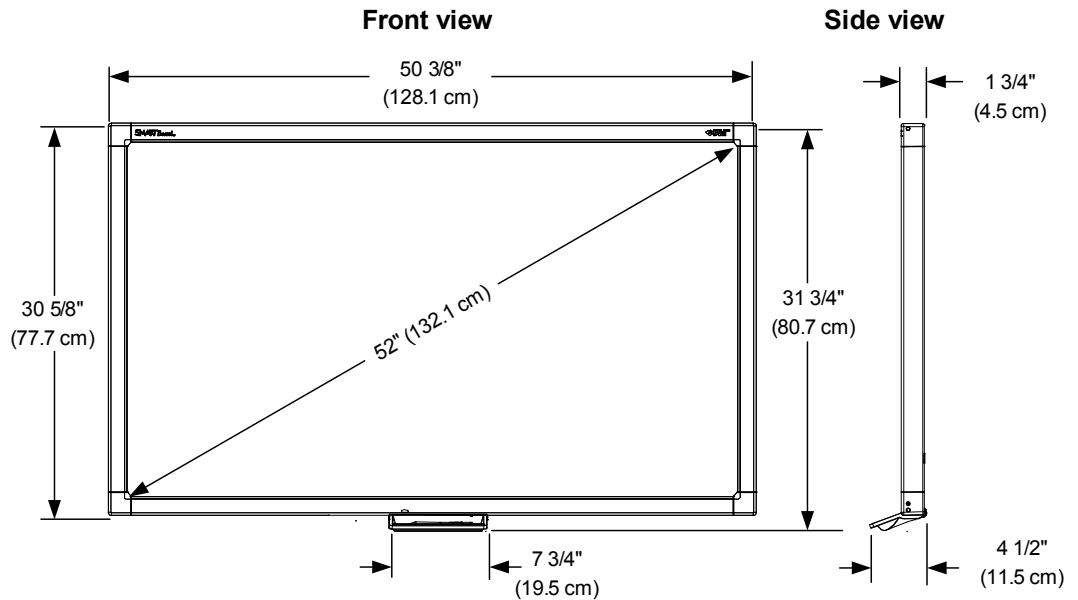
SMART order numbers

Interactive display overlays For a complete list of interactive display overlays and their compatible flat-panel displays, see the *SMART Board 400 series interactive display overlay flat-panel display fit list* (smarttech.com/kb/160508).

Optional accessories

- CAT5-XT** Cat 5 USB extender
- RPENLEDGE-SBID4** Replacement pen ledge for the SMART Board 400 series interactive display overlay
- RPEN-SBID4** Replacement pen and pen nibs for the SMART Board 400 series interactive display overlay

Physical dimensions



smarttech.com/support
smarttech.com/contactsupport

© 2011 SMART Technologies ULC. All rights reserved. SMART Board, DVIT, SMART Notebook, , smarttech, the SMART logo and all SMART taglines are trademarks or registered trademarks of SMART Technologies ULC in the U.S. and/or other countries. All third-party product and company names may be trademarks of their respective owners. One or more of the following patents: US6320597; US6326954; US6563491; US6741267; US6947032; US6954197; US7151533; US7411575; US7499033; US7619617; US7629987; US7643006; US7692625; US7757001; US7880720; US7932899; USD612396; USD616462; USD617332 and USD636784. Other patents pending. Contents are subject to change without notice. 11/2011.