

# SMART Board® 6000S series with iQ

SBID-6265S

SBID-6275S

SBID-6286S



## DISPLAY

<b>Screen sizes (diagonal)</b>	65", 75", 86"
<b>Backlight</b>	LED
<b>Aspect ratio</b>	16:9
<b>Maximum display resolution</b>	4K UHD (3840 × 2160)
<b>Refresh rate</b>	60 Hz
<b>Lifespan</b>	≥ 50,000 hours
<b>Brightness (maximum)</b>	≥ 350 cd/m <sup>2</sup>
<b>Response time</b>	≤ 8 ms
<b>Viewing angle</b>	178°
<b>Glass</b>	Fully heat-tempered, anti-glare
<b>Glass thickness</b>	4 mm
<b>Frame color</b>	White
<b>Convenience buttons</b>	Power, home, volume, screen shade, freeze frame
<b>Sensors</b>	Proximity, ambient light, infrared, room temperature and humidity
<b>Audio</b>	2 integrated 20 W speakers

## INTERACTIVE EXPERIENCE

<b>Touch technology</b>	HyPr Touch™ with InGlass™
<b>Touch features</b>	Tool Explorer™ Simultaneous Tool Differentiation™ Object Awareness™ Pen ID™ Silktouch™
<b>Typical response time</b>	9 ms
<b>Frame rate</b>	150 Hz
<b>Accuracy</b>	1.5 mm (over 90% area)
<b>Minimum object size</b>	5 mm
<b>Multitouch capabilities</b>	20 – Windows® and Mac 10 – Chrome OS™
<b>Tools included</b>	Pens (×2) Erasers (×2)
<b>Tool holders</b>	Intelligent, magnetic, frame-mounted
<b>Optional tools</b>	Multicolor four-pen bundle Magic pen Highlighter pen Stamps and cubes

## SOFTWARE

<b>iQ built-in Android™ experience</b>	Included
<b>SMART Notebook® basic</b>	Included
<b>SMART Ink® and SMART Product Drivers</b>	Included
<b>SMART Remote Management</b>	Subscription for length of the included warranty
<b>SMART Learning Suite</b>	Bonus 1-year subscription

smarttech.com  
smarttech.com/contact

© 2021 SMART Technologies ULC. All rights reserved. SMART Board, SMART Notebook, SMART Ink, HyPr Touch, Tool Explorer, Simultaneous Tool Differentiation, Object Awareness, Pen ID, Silktouch, smarttech, the SMART logo and all SMART taglines are trademarks or registered trademarks of SMART Technologies ULC in the U.S. and/or other countries. The Adopted Trademarks HDMI, HDMI High-Definition Multimedia Interface, and the HDMI Logo are trademarks or registered trademarks of HDMI Licensing Administrator, Inc. in the United States and other countries. All other third-party product and company names may be trademarks of their respective owners. This product and/or use thereof is covered by one or more of the following U.S. patents: www.smarttech.com/patents. Models and specifications may vary by region. Please contact your local representative for details. Contents are subject to change without notice. August 25, 2021.

**iQ BUILT-IN ANDROID EXPERIENCE**

<b>Operating system</b>	Android version 8.0
<b>Memory</b>	4 GB DDR
<b>Storage</b>	32 GB
<b>Digital whiteboard</b>	✓
<b>Web browser</b>	✓
<b>Screen sharing</b>	✓
<b>Other features</b>	SMART Whiteboard Personalized home screen and settings Live input preview Interactive widgets Templates, graphic organizers, and manipulatives File and app libraries Google Drive™ and OneDrive™ access
<b>Object Awareness supported</b>	✓
<b>Ability to run third-party applications</b>	✓
<b>Cloud storage access</b>	✓
<b>Languages supported</b>	Chinese (simplified), Chinese (traditional), Czech, Danish, Dutch, English, Estonian, Finnish, French, German, Greek, Hungarian, Italian, Japanese, Korean, Latvian, Lithuanian, Norwegian, Polish, Portuguese, Romanian, Russian, Slovak, Slovenian, Spanish, Swedish, Ukrainian, Vietnamese, Welsh
<b>Updates</b>	Automatic over-the-air (OTA)

**PC COMPUTING**

<b>OPS support</b>	✓
<b>OPS-C support</b>	✓
<b>PC module power supported OPS</b>	60 W
<b>Optional computing modules</b>	SMART OPS PC with Windows 10 Pro SMART Chromebox

**INPUTS**

	Front	Back
OPS PC accessory slot (60 W devices)	–	1
HDMI® 2.0 with HDCP 1.4 and HDCP 2.2 support	1	2
VGA video	–	1
Stereo 3.5 mm	–	1
RS-232	–	1
RJ45	–	2
USB 2.0 Type-A	–	1
USB 3.0 Type-A	2	1
USB 3.0 Type-B	1	3

**OUTPUTS**

	Front	Back
HDMI 2.0	–	1
Stereo 3.5 mm	–	1
S/PDIF	–	1
RS-232	–	1

**INCLUDED CABLES AND ACCESSORIES**

	Qty
Country-specific power cable	1
16' 5" (5 m) USB 2.0 cable	1
Pens (red and black)	2
Erasers	2
External dual-band 2.4 and 5 GHz antennae	2
Remote control	1
AAA batteries	2
WM-SBID-200 wall mount	1
Illustrated installation instructions	1
Important information document	1

## CONNECTIVITY

<b>Wired</b>	RJ45 (×2) 100baseT
<b>Wi-Fi</b>	IEEE 802.11 a/b/g/n/ac with 2 × 2 MIMO (both 2.4 and 5 GHz bands) supporting WEP, WPA, WPA2 PSK, and 802.1X EAP authentication protocols
<b>Bluetooth</b>	4.2 dual mode

## STORAGE AND OPERATING REQUIREMENTS

<b>Power requirements</b>	100V to 240V AC, 50 Hz to 60 Hz
<b>Operating temperature</b>	41–95°F (5–35°C)
<b>Storage temperature</b>	-4–140°F (-20–60°C)
<b>Humidity</b>	5–80% relative humidity, non-condensing

## POWER CONSUMPTION

<b>Typical</b>	65": 92 W
	75": 141 W
	86": 172 W
<b>Standby</b>	< 0.5 W

## CERTIFICATION AND COMPLIANCE\*

<b>US / Canada</b>	UL, FCC, ISED, TSCA, CONEG Packaging, Proposition 65
<b>EU / EEA / EFTA / UK</b>	CE, UKCA, LVD, CB, EMC, RED, REACH, RoHS, Battery, WEEE, Packaging, POP, Ecodesign
<b>Australia / New Zealand</b>	RCM
<b>Performance standards</b>	ENERGY STAR®, HDMI

## PURCHASING INFORMATION

<b>Order number: SBID-6265S</b>	SMART Board® 6065S interactive display with iQ and SMART Learning Suite
<b>Order number: SBID-6275S</b>	SMART Board 6075S interactive display with iQ and SMART Learning Suite
<b>Order number: SBID-6286S</b>	SMART Board 6086S interactive display with iQ and SMART Learning Suite
<b>Order number: TS-4PEN-MC</b>	Tool Explorer multicolor 4-pen bundle (orange, purple, green, blue) with magnetic penwell
<b>Order number: TS-4CUBE-LEARN</b>	Tool Explorer Learn 4-Cube Bundle
<b>Order number: TS-4CUBE-MATH</b>	Tool Explorer Math 4-Cube Bundle
<b>Order number: TS-4STAMP-PLAY</b>	Tool Explorer Play 4-Stamp Bundle
<b>Order number: TS-PEN-HLITE</b>	Tool Explorer double-ended Highlighter (yellow & green)
<b>Order number: TS-PEN-MAGIC</b>	Tool Explorer Magic Pen
<b>Optional accessories</b>	See <a href="http://smarttech.com/accessories">smarttech.com/accessories</a>

## WARRANTY

<b>SMART Assure warranty</b>	Includes advanced hardware replacement and access to onsite support. Terms and conditions vary by region. Contact your local reseller or distributor for information and visit <a href="http://smarttech.com/warranty">smarttech.com/warranty</a> .
------------------------------	---

## CABLE REQUIREMENTS

<b>HDMI</b>	Certified premium high speed HDMI (18 Gbps) Maximum length: 23' (7 m)
<b>USB 2.0</b>	USB 2.0 certified Hi-Speed (480 Mbps) support Maximum length: 16' (5 m)
<b>USB 3.0</b>	USB 3.0 certified SuperSpeed (5 Gbps) support Maximum length: 9' (3 m)
<b>More information</b>	See <a href="http://smarttech.com/kb/171414">smarttech.com/kb/171414</a>

\*Product availability may vary by region.

This product has received additional certifications not listed here.

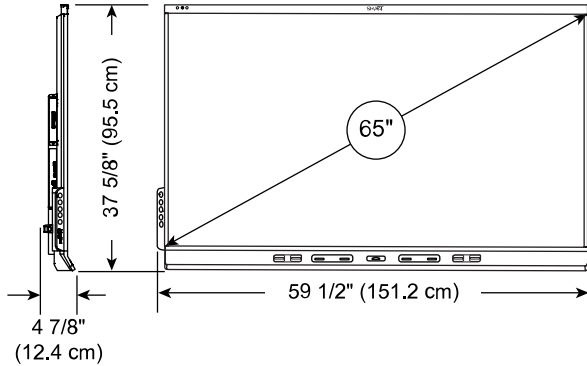
## INSTALLATION, DIMENSIONS, AND WEIGHTS

### NOTES

- All dimensions  $\pm 1/8"$  (0.3 cm). All weights  $\pm 2$  lb. (0.9 kg).
- Product ships upright.

### SBID-6265S

#### Dimensions



#### Weight

112 lb. (51 kg)

#### Shipping dimensions (including pallet)

67 1/8"  $\times$  46 1/2"  $\times$  10 3/8"  
(170.4 cm  $\times$  118.1 cm  $\times$  26.4 cm)

#### Shipping weight

159 lb. (72 kg)

#### VESA mount

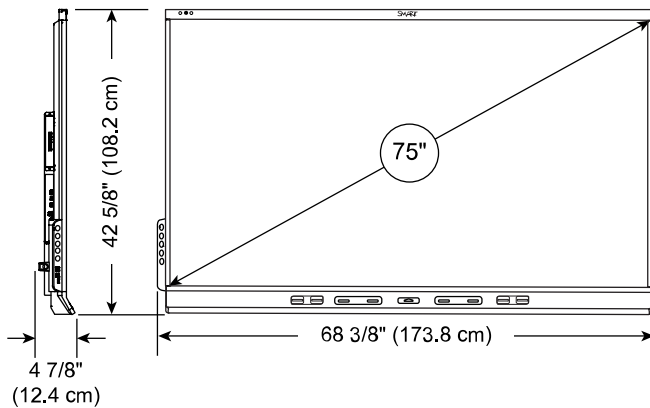
M8, 600  $\times$  400 mm

#### Handles

2

### SBID-6275S

#### Dimensions



#### Weight

143 lb. (65 kg)

#### Shipping dimensions (including pallet)

76"  $\times$  51 1/2"  $\times$  10 3/8"  
(193.1 cm  $\times$  130.8 cm  $\times$  26.4 cm)

#### Shipping weight

194 lb. (88 kg)

#### VESA mount

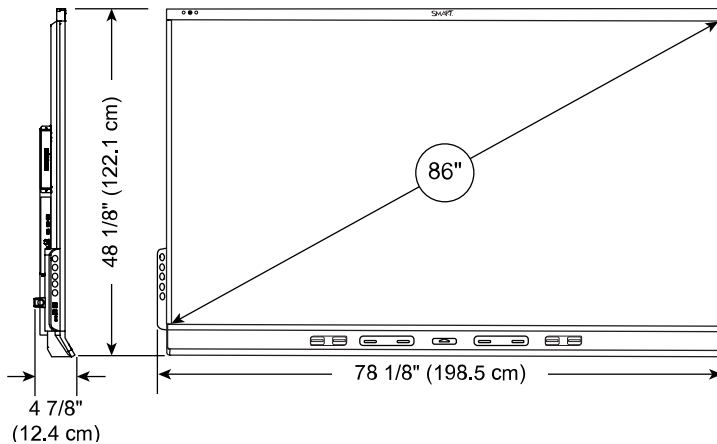
M8, 600  $\times$  400 mm

#### Handles

2

### SBID-6286S

#### Dimensions



#### Weight

185 lb. (84 kg)

#### Shipping dimensions (including pallet)

86"  $\times$  57"  $\times$  10 3/8"  
(218.6 cm  $\times$  144.7 cm  $\times$  26.4 cm)

#### Shipping weight

243 lb. (110 kg)

#### VESA mount

M8, 600  $\times$  400 mm

#### Handles

2