

## Specifications

# SMART Board® 7075 interactive display with iQ

Model SBID-7275

## Overview

The SMART Board® 7075 interactive display with iQ is the hub of your classroom. iQ technology connects devices, lesson content and pedagogically relevant software to create a cohesive educational experience. PC-free embedded computing provides one-touch access to a diverse suite of SMART applications—Notebook lessons, workspaces, gamification activities and whiteboard—and collaborative tools, such as wireless screen sharing and a web browser. With minimal network integration, there's no need for wires, cables or manual software and firmware updates.



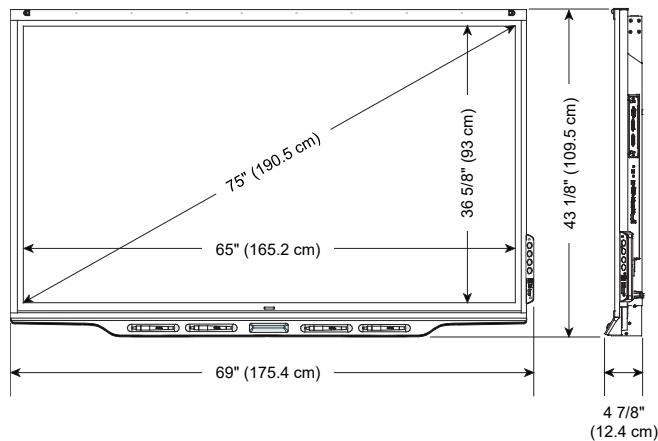
The 75" 4K ultra-high-definition LED display provides optimal image clarity and wide viewing angles. With the Pen ID™ feature, you can assign different appearances to the four pens and write or draw over any application in digital ink.

Object Awareness™ allows you to perform mouse functions with your finger, write in digital ink with the pen, and erase with your palm or eraser—all without switching tools or modes. You can use a variety of gestures in applications, and four users can write or draw at the same time.

See [education.smarttech.com](http://education.smarttech.com) for more information.

## Dimensions and weights<sup>1</sup>

### Dimensions



### Weight

174 lb. (79 kg)

### Shipping dimensions (including pallet)

75 3/8" × 54 1/4" × 11 3/4"  
(191.6 cm × 137.8 cm × 30 cm)

### Shipping weight

227 lb. (103 kg)



As an ENERGY STAR® certified signage display, the SMART Board 7075 interactive display meets strict energy efficiency guidelines set by the U.S. Environmental Protection Agency and Department of Energy.

<sup>1</sup>All dimensions ± 1/8" (0.3 cm). All weights ± 2 lb. (0.9 kg).

## Hardware

### Interaction

Touch technology	HyPr Touch™ (Hybrid Precision Touch) proprietary hybrid system, which greatly improves upon its InGlass™ core by optimizing both touch and pen performance, resulting in virtually no lag and zero contact detect height
Multitouch capabilities	Up to 16 simultaneous interaction points (combination of 10 finger touch points, four pen touch points and two eraser touch points)
Object Awareness	Behavior adjusts automatically to the tool or object you're using, whether it's a pen, finger, eraser or palm.
Pen ID	Four people can write independently and simultaneously, using different colored ink.

### Display

Type	LED
Aspect ratio	16:9
Optimal resolution ("HDMI 1" input)	4K UHD (3840 × 2160) at 60 Hz
Horizontal frequency (typical)	135 kHz
Vertical frequency (typical)	60 Hz
Contrast ratio (typical)	5000:1
Brightness (maximum)	360 cd/m <sup>2</sup>
Pixel dimensions	0.429 mm × 0.429 mm
Gamut	72% of NTSC
Viewing angle	178°
Response time (typical)	8 ms

<b>100BASE-T Ethernet</b>	Two external ports for a four-port Fast Ethernet switched network connecting the interactive display and the iQ appliance to an external network and an external device, such as a computer
---------------------------	---

<b>Presence detection</b>	Dual sensors that reduce startup time and power consumption during inactivity
---------------------------	---

<b>Audio</b>	10 W integrated speakers (×2)
--------------	-------------------------------

<b>Noise level</b>	<30 dBA
--------------------	---------

<b>Included cables and accessories</b>	iQ appliance Country-specific power cable USB cable Pen (×4) Eraser
--	---

**iQ appliance**

Wireless technology	Bluetooth® 4.0 dual mode (backwards compatible with Bluetooth 2.1 + EDR)
Capture options	Establish a Bluetooth wireless connection with a supported mobile device (see below) by scanning the interactive display's unique QR code
Supported languages	Dutch English French German Italian Korean Norwegian Russian Simplified Chinese Spanish Swedish Traditional Chinese Vietnamese
<b>Mounting holes</b>	For a standard VESA 600 mm × 400 mm mounting plate Lower mounting holes 13 3/4" (35 cm) from the bottom of the interactive display
<b>Mounting bracket depth</b>	Minimum depth of 2" (5.1 cm) for all components on the back of the interactive display for airflow

**Connectors**

<b>Connector panel</b>	OPS slot (for the iQ appliance) Stereo 3.5 mm out S/PDIF out "VGA" input connectors Video: VGA in (1080p) Audio: Stereo 3.5 mm in Touch: USB Type-B "HDMI 1" input connectors Video/audio: HDMI 2.0 in (4K UHD at 60 Hz) Touch: USB Type-B "Display Port" input connectors Video/audio: in (4K UHD at 30 Hz) Touch: USB Type-B USB Type-A <sup>2</sup> RJ45 (×2)
<b>Convenience panel</b>	"HDMI 2" input connectors Video/audio: HDMI 1.4 in (4K UHD at 30 Hz) Touch: USB Type-B USB Type-A (×2)

<sup>2</sup>For service use only

**SMART BOARD 7075 INTERACTIVE DISPLAY WITH IQ – MODEL SBID-7275**

<b>Bottom</b>	AC power in AC power out RS-232 in RS-232 out
---------------	--

---

**HDCP support** Version 1.4/2.2

## Installation requirements

**Interactive display** See the *SMART Board 7000 and 7000 Pro series interactive displays installation and maintenance guide* ([smarttech.com/kb/171164](http://smarttech.com/kb/171164))

**!** **IMPORTANT**

The display needs an internet connection for downloading and installing important updates. Ask the network administrator to confirm that the network has been correctly configured for the iQ experience. For more information about network configuration, see [Connecting a SMART display with the iQ experience to a network](#).

---

**SMART Notebook Player mobile app** iOS 10 or later operating system software

**SMART kapp® app**

Apple devices iOS 9 or later operating system software  
50 MB of storage  
iPhone 4S or later  
Third-generation iPad or later  
First-generation iPad mini or later  
Fifth-generation iPod touch or later

---

Android™ devices Android 4.4.4 (KitKat) or later operating system  
50 MB of storage (internal or SD card)  
1024 MB of RAM  
720p or better screen resolution  
Bluetooth 2.1 + EDR  
3 megapixel or better rear-facing camera (recommended)

**SMART kapp viewer**

Mobile Safari for iOS 9 or later operating system software  
Chrome™ for Android 39.0.2171.93 or later

---

Desktop Internet Explorer® 10 or later  
Chrome 39.0.2171.95 or later  
Firefox® 34.0.5 or later  
Safari 8.0 or later

**Room computers and guest laptops**

General requirements See [SMART Notebook software release notes](#)

---

4K UHD Graphics card that can support 3840 × 2160 resolution at 60 Hz and that has 1 GB DDR 5 memory  
See [Minimum requirements for Ultra High Definition or 4K on your interactive flat panel](#)

**Mini-computers**

General requirements	See <a href="#">SMART Notebook software release notes</a>
Dimensions	Smaller than 10" × 10" × 2" (25.4 cm × 25.4 cm × 5.1 cm)
Weight	Less than 10 lb. (4.5 kg)
Mounting	VESA 75 mm × 75 mm or 100 mm × 100 mm mounting pattern

**Cable requirements****HDMI**

Maximum length: 23' (7 m)

**NOTES**

- Use only certified HDMI cables that have been tested to support the performance standard you require.
- The performance of cables longer than 23' (7 m) is highly dependent on the cable's quality.

**Display Port**Display Port 1.2 compliant or better  
Maximum length: 23' (7 m)**USB 2.0**USB 2.0 certified  
Hi-Speed (480 Mbps) support  
Maximum length: 16' (5 m)**Important**

Using cables that exceed these maximum lengths can produce unexpected results, such as degraded picture quality or USB connectivity. Refer to *Installation best practices for SMART products* ([smarttech.com/kb/171035](http://smarttech.com/kb/171035)) for comprehensive information about cables and extensions for SMART hardware products.

**Storage and operating requirements****Power requirements** 100V to 240V AC, 50 Hz to 60 Hz**Interactive display and iQ appliance power consumption at 77°F (25°C)**

Standby mode	<8 W
Normal operating	141 W

**Standalone interactive display power consumption at 77°F (25°C)**

Standby mode	<2 W
Normal operating	135 W

**Operating temperature** 41–95°F (5–35°C)**Storage temperature** -4–140°F (-20–60°C)**Humidity** 5–80% relative humidity, non-condensing

## Certification and compliance

**Regulatory certification** EU RED and LV Directives, ISED, cUL, FCC, UL, RCM, CITIC, TRA

---

**Environmental compliance**

European Union REACH, RoHS, WEEE, Battery and Packaging

---

U.S. CONEG Packaging, California Prop 65

---

**Regulatory models** SBID-7075 and ID7075-1

## Purchasing information

**Order number**

SBID-7275 SMART Board 7075 interactive display with IQ and SMART Learning Suite

---

**Optional accessories** See [smarttech.com/accessories](http://smarttech.com/accessories)

---

**Warranty** Three-year limited equipment warranty

---

**Extended warranty**

EWY1-SBID-7275 One-year warranty extension

---

EWY2-SBID-7275 Two-year warranty extension

---

[smarttech.com/support](http://smarttech.com/support)  
[smarttech.com/contactsupport](http://smarttech.com/contactsupport)

© 2017–2019 SMART Technologies ULC. All rights reserved. SMART Board, SMART kapp, Pen ID, Object Awareness, HyPr Touch, smarttech, the SMART logo and all SMART taglines are trademarks or registered trademarks of SMART Technologies ULC in the U.S. and/or other countries. iPhone, iPad, iPod touch and Safari are trademarks of Apple Inc., registered in the U.S. and other countries. Google Play, Android and Chrome are trademarks of Google Inc. The Bluetooth word mark is owned by the Bluetooth SIG, Inc. and any use of such marks by SMART Technologies ULC is under license. All other third-party product and company names may be trademarks of their respective owners. This product and/or use thereof is covered by one or more of the following U.S. patents: [www.smarttech.com/patents](http://www.smarttech.com/patents). Contents are subject to change without notice. 03/2019.