

Specifications

SMART Board® 7075 interactive display with iQ

Model SBID-7275

Overview

The SMART Board® 7075 interactive display with iQ is the hub of your classroom. iQ technology connects devices, lesson content and pedagogically relevant software to create a cohesive educational experience. PC-free embedded computing provides one-touch access to a diverse suite of SMART applications—Notebook lessons, workspaces, gamification activities and whiteboard—and collaborative tools, such as wireless screen sharing and a web browser. With minimal network integration, there's no need for wires, cables or manual software and firmware updates.



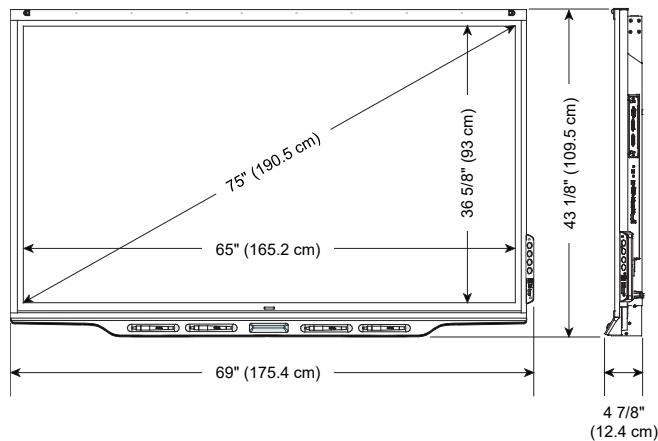
The 75" 4K ultra-high-definition LED display provides optimal image clarity and wide viewing angles. With the Pen ID™ feature, you can assign different appearances to the four pens and write or draw over any application in digital ink.

Object Awareness™ allows you to perform mouse functions with your finger, write in digital ink with the pen, and erase with your palm or eraser—all without switching tools or modes. You can use a variety of gestures in applications, and four users can write or draw at the same time.

See education.smarttech.com for more information.

Dimensions and weights¹

Dimensions



Weight

174 lb. (79 kg)

Shipping dimensions (including pallet)

75 3/8" × 54 1/4" × 11 3/4"
(191.6 cm × 137.8 cm × 30 cm)

Shipping weight

227 lb. (103 kg)



As an ENERGY STAR® certified signage display, the SMART Board 7075 interactive display meets strict energy efficiency guidelines set by the U.S. Environmental Protection Agency and Department of Energy.

¹All dimensions ± 1/8" (0.3 cm). All weights ± 2 lb. (0.9 kg).

Hardware

Interaction

Touch technology	HyPr Touch™ (Hybrid Precision Touch) proprietary hybrid system, which greatly improves upon its InGlass™ core by optimizing both touch and pen performance, resulting in virtually no lag and zero contact detect height
Multitouch capabilities	Up to 16 simultaneous interaction points (combination of 10 finger touch points, four pen touch points and two eraser touch points)
Object Awareness	Behavior adjusts automatically to the tool or object you're using, whether it's a pen, finger, eraser or palm.
Pen ID	Four people can write independently and simultaneously, using different colored ink.

Display

Type	LED
Aspect ratio	16:9
Optimal resolution	3840 × 2160 at 60 Hz
Horizontal frequency (typical)	135 kHz
Vertical frequency (typical)	60 Hz
Contrast ratio (typical)	5000:1
Brightness (maximum)	360 cd/m ²
Pixel dimensions	0.429 mm × 0.429 mm
Gamut	72% of NTSC
Viewing angle	178°
Response time (typical)	8 ms

100BASE-T Ethernet	Two external ports for a four-port Fast Ethernet switched network connecting the interactive display and the iQ appliance to an external network and an external device, such as a computer
---------------------------	---

Presence detection	Dual sensors that reduce startup time and power consumption during inactivity
---------------------------	---

Audio	10 W integrated speakers (×2)
--------------	-------------------------------

Noise level	<30 dBA
--------------------	---------

Included cables and accessories	iQ appliance Country-specific power cable USB cable Pen (×4) Eraser
--	---

iQ appliance

Wireless technology	Bluetooth® 4.0 dual mode (backwards compatible with Bluetooth 2.1 + EDR)
Capture options	Establish a Bluetooth wireless connection with a supported mobile device (see below) by scanning the interactive display's unique QR code
Supported languages	Dutch English French German Italian Korean Norwegian Russian Simplified Chinese Spanish Swedish Traditional Chinese Vietnamese
Mounting holes	For a standard VESA 600 mm × 400 mm mounting plate Lower mounting holes 13 3/4" (35 cm) from the bottom of the interactive display
Mounting bracket depth	Minimum depth of 2" (5.1 cm) for all components on the back of the interactive display for airflow

Connectors

Connector panel	OPS slot (for the iQ appliance) Stereo 3.5 mm out S/PDIF out VGA input connectors VGA in Stereo 3.5 mm in USB Type-B HDMI 1 input connectors HDMI 2.0 in USB Type-B Display Port input connectors in USB Type-B USB Type-A ² RJ45 (×2)
Convenience panel	HDMI 2 input connectors HDMI 1.4 in USB Type-B USB Type-A (×2)

²For service use only

SMART BOARD 7075 INTERACTIVE DISPLAY WITH IQ – MODEL SBID-7275

Bottom	AC power in AC power out RS-232 in RS-232 out
---------------	--

HDCP support Version 1.4/2.2

Installation requirements

Interactive display See the *SMART Board 7000 and 7000 Pro series interactive displays installation and maintenance guide* (smarttech.com/kb/171164)

! **IMPORTANT**

The display needs an internet connection for downloading and installing important updates. Ask the network administrator to confirm that the network has been correctly configured for the iQ experience. For more information about network configuration, see [Connecting a SMART display with the iQ experience to a network](#).

SMART Notebook Player mobile app iOS 10 or later operating system software

SMART kapp® app

Apple devices iOS 9 or later operating system software
50 MB of storage
iPhone 4S or later
Third-generation iPad or later
First-generation iPad mini or later
Fifth-generation iPod touch or later

Android™ devices Android 4.4.4 (KitKat) or later operating system
50 MB of storage (internal or SD card)
1024 MB of RAM
720p or better screen resolution
Bluetooth 2.1 + EDR
3 megapixel or better rear-facing camera (recommended)

SMART kapp viewer

Mobile Safari for iOS 9 or later operating system software
Chrome™ for Android 39.0.2171.93 or later

Desktop Internet Explorer® 10 or later
Chrome 39.0.2171.95 or later
Firefox® 34.0.5 or later
Safari 8.0 or later

Room computers and guest laptops

General requirements See [SMART Notebook software release notes](#)

4K UHD Graphics card that can support 3840 × 2160 resolution at 60 Hz and that has 1 GB DDR 5 memory
See [Minimum requirements for Ultra High Definition or 4K on your interactive flat panel](#)

Mini-computers

General requirements	See SMART Notebook software release notes
Dimensions	Smaller than 10" × 10" × 2" (25.4 cm × 25.4 cm × 5.1 cm)
Weight	Less than 10 lb. (4.5 kg)
Mounting	VESA 75 mm × 75 mm or 100 mm × 100 mm mounting pattern

Cable requirements**HDMI**

Maximum length: 23' (7 m)

NOTES

- Use only certified HDMI cables that have been tested to support the performance standard you require.
- The performance of cables longer than 23' (7 m) is highly dependent on the cable's quality.

Display PortDisplay Port 1.2 compliant or better
Maximum length: 23' (7 m)**USB 2.0**USB 2.0 certified
Hi-Speed (480 Mbps) support
Maximum length: 16' (5 m)**Important**

Using cables that exceed these maximum lengths can produce unexpected results, such as degraded picture quality or USB connectivity. Refer to *Installation best practices for SMART products* (smarttech.com/kb/171035) for comprehensive information about cables and extensions for SMART hardware products.

Storage and operating requirements**Power requirements** 100V to 240V AC, 50 Hz to 60 Hz**Interactive display and iQ appliance power consumption at 77°F (25°C)**

Standby mode	<2 W
Normal operating	162 W
Maximum operating	260 W

Standalone interactive display power consumption at 77°F (25°C)

Standby mode	<2 W
Normal operating (out-of-box)	147 W

Operating temperature 41–95°F (5–35°C)**Storage temperature** -4–140°F (-20–60°C)**Humidity** 5–80% relative humidity, non-condensing

Certification and compliance

Regulatory certification EU RED and LV Directives, ISED, cUL, FCC, UL, RCM, CITIC, TRA

Environmental compliance

European Union REACH, RoHS, WEEE, Battery and Packaging

U.S. CONEG Packaging, California Prop 65

Regulatory models SBID-7075 and ID7075-1

Purchasing information

Order number

SBID-7275 SMART Board 7075 interactive display with IQ and SMART Learning Suite

Optional accessories

WM-SBID-501 Fixed wall mount for SMART Board interactive displays

Other See smarttech.com/accessories

Warranty

Three-year limited equipment warranty

Extended warranty

EWY1-SBID-7275 One-year warranty extension

EWY2-SBID-7275 Two-year warranty extension

smarttech.com/support
smarttech.com/contactsupport

© 2017–2019 SMART Technologies ULC. All rights reserved. SMART Board, SMART kapp, Pen ID, Object Awareness, HyPr Touch, smarttech, the SMART logo and all SMART taglines are trademarks or registered trademarks of SMART Technologies ULC in the U.S. and/or other countries. iPhone, iPad, iPod touch and Safari are trademarks of Apple Inc., registered in the U.S. and other countries. Google Play, Android and Chrome are trademarks of Google Inc. The Bluetooth word mark is owned by the Bluetooth SIG, Inc. and any use of such marks by SMART Technologies ULC is under license. All other third-party product and company names may be trademarks of their respective owners. This product and/or use thereof is covered by one or more of the following U.S. patents: www.smarttech.com/patents. Contents are subject to change without notice. 01/2019.