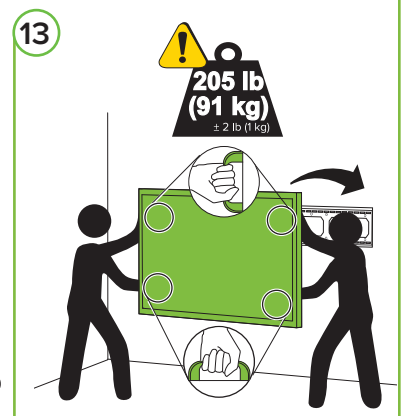
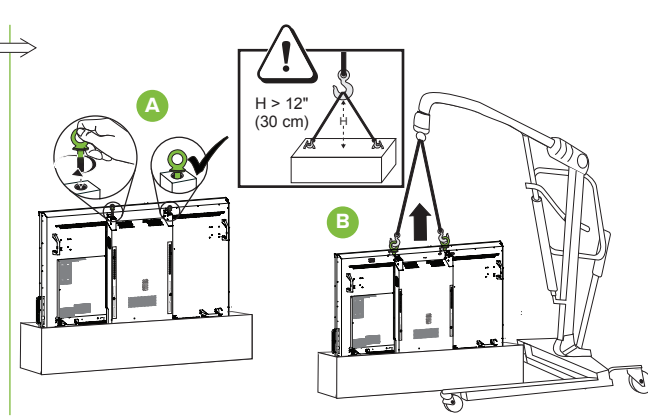
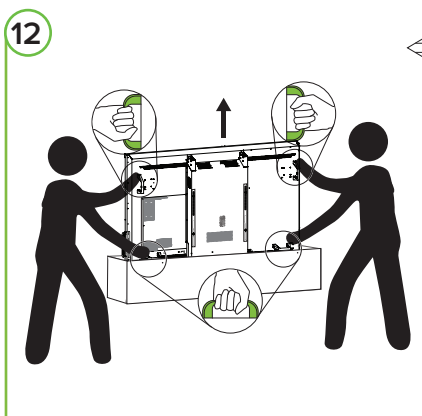
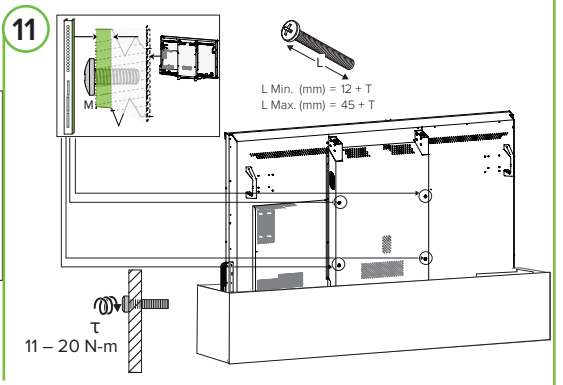
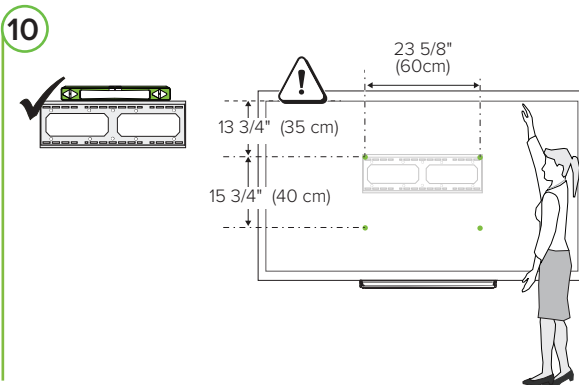
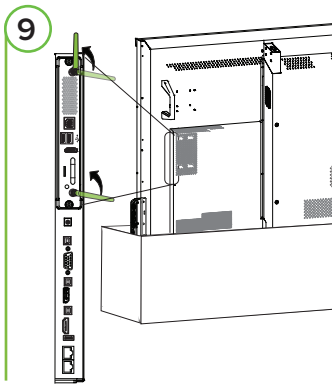
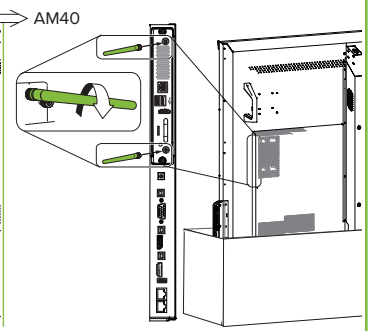
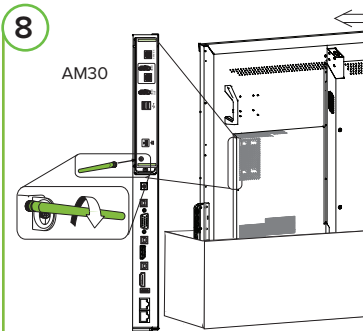
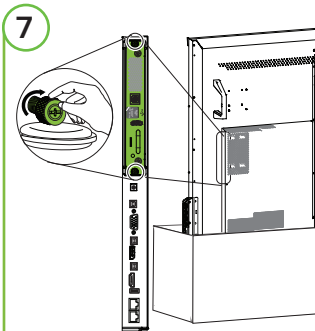
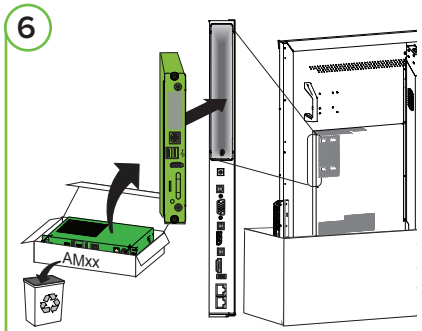
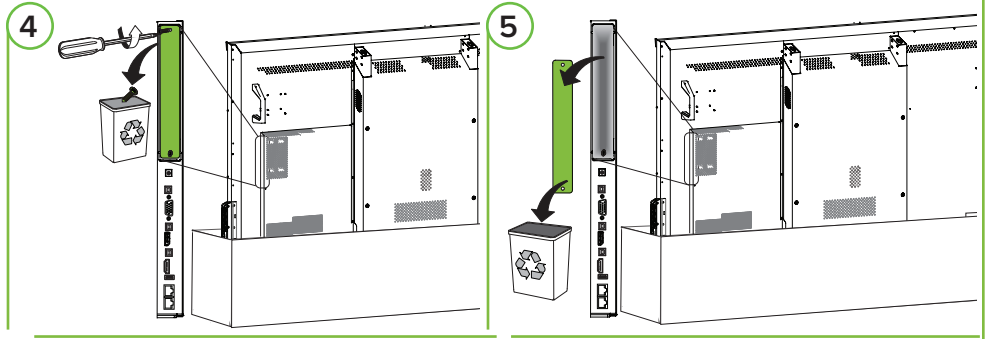
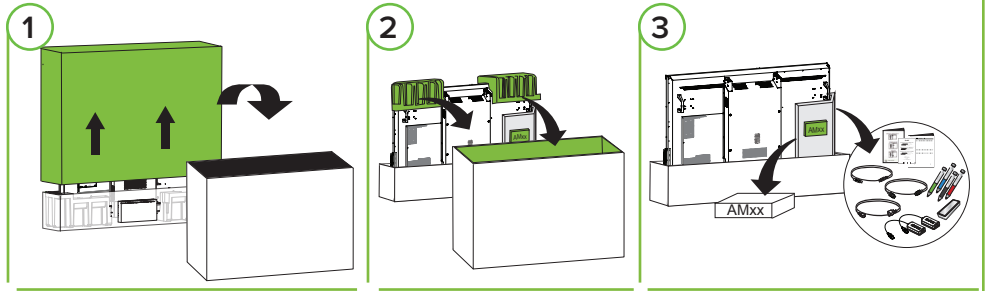
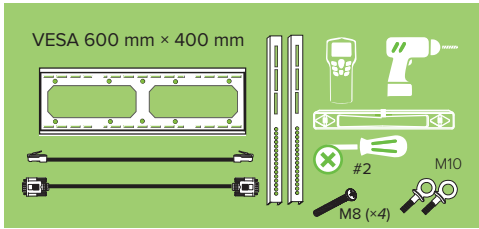
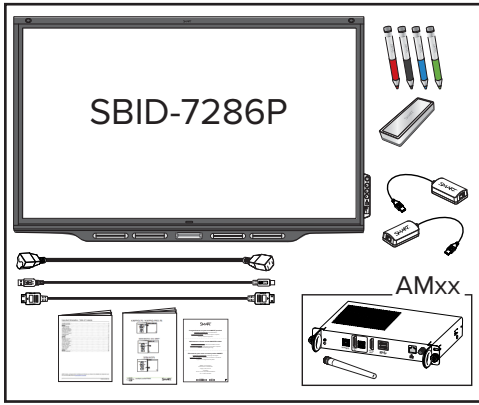
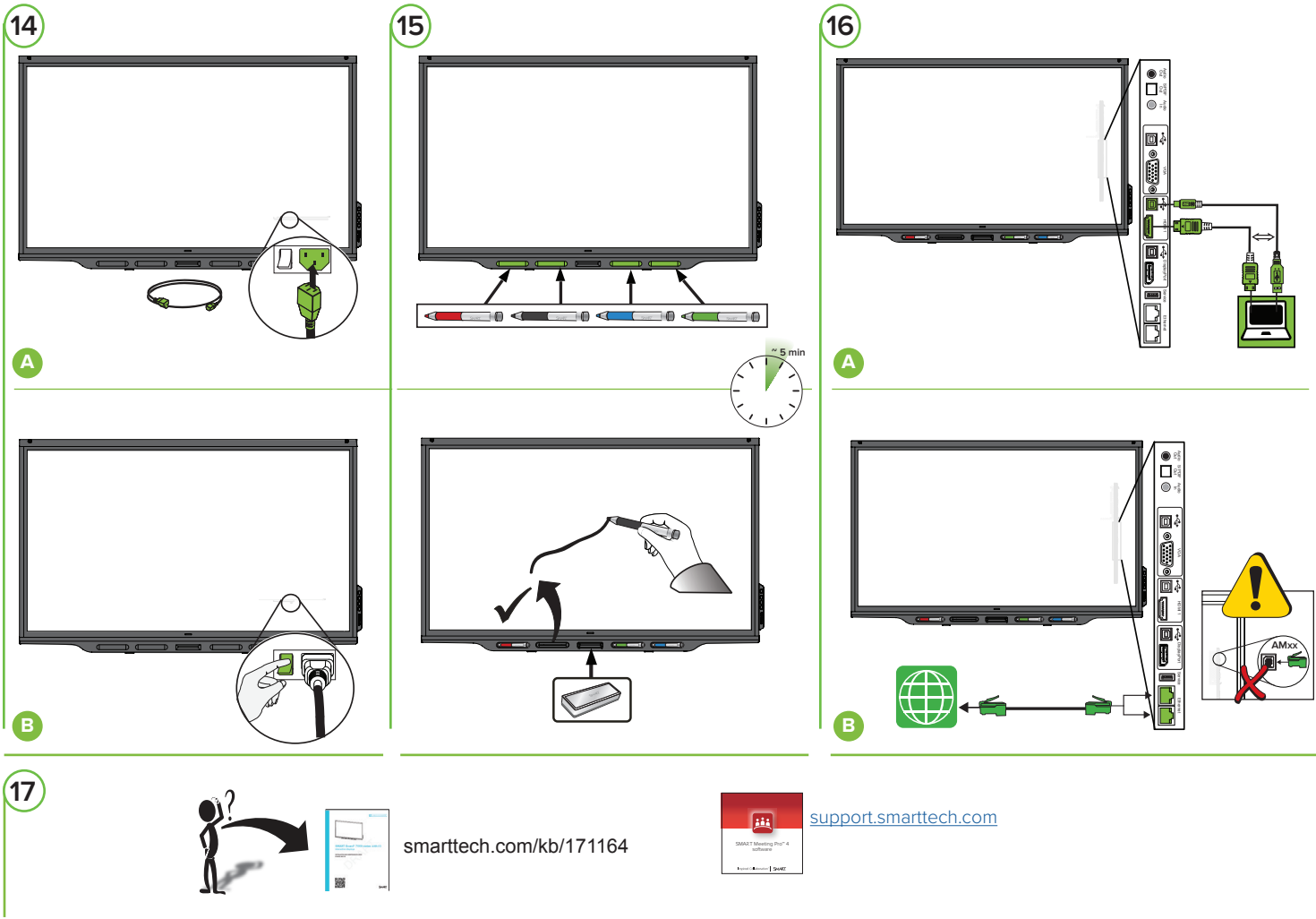


SBID-7286P





EU Declaration of Conformity

Hereby, SMART Technologies ULC declares that the radio equipment type OPS, AM40 is in compliance with Directive 2014/53/EU. The full text of the EU declaration of conformity is available at the following internet address: www.smarttech.com/compliance

The frequency band and the maximum transmitted power in EU are listed below:

2400MHz – 2483.5MHz: 19dBm (EIRP) 5150MHz – 5350MHz: 16dBm (EIRP) 5470MHz – 5725MHz: 16dBm (EIRP)

Restrictions in AT/BE/BG/CZ/DK/EE/FR/DE/IS/IE/IT/EL/ES/CY/LV/LI/LT/LU/HU/MT/NL/NO/PL/PT/RO/SI/SK/TR/FI/SE/CH/UK/HR. 5150MHz-5350MHz is for indoor use only.

Caution: Exposure to Radio Frequency Radiation

This equipment complies with EU radiation exposure limits set forth for an uncontrolled environment. This equipment should be installed and operated with minimum distance 20 cm between the radiator and your body.

Warning: This equipment is compliant with Class A of CISPR 32. In a residential environment this equipment may cause radio interference.

Hereby, SMART Technologies ULC declares that the radio equipment type Interactive Display SBID-7075 and the interactive pen, SBID-7000-PEN is in compliance with Directive 2014/53/EU. The full text of the EU declaration of conformity is available at the following internet address: www.smarttech.com/compliance

Hardware environmental compliance

SMART Technologies supports global efforts to ensure that electronic equipment is manufactured, sold and disposed of in a safe and environmentally friendly manner.

Waste Electrical and Electronic Equipment and Battery regulations (WEEE and Battery Directives)

Electrical and electronic equipment and batteries contain substances that can be harmful to the environment and to human health. The crossed-out wheeled bin symbol indicates that products should be disposed of in the appropriate recycling stream and not as regular waste.

Batteries

The pens contain rechargeable lithium batteries. The AMx0 appliance module contains a CR2032 coin cell. Recycle or dispose of batteries properly. See smarttech.com/compliance for more information.

Perchlorate material

The CR2032 coin cell contains perchlorate material. Special handling may apply. See dtsc.ca.gov/hazardouswaste/perchlorate

危险材料表 (Hazardous Materials Table)
按照以SJ/T11364的规定, 请访问 smarttech.com/compliance 查阅本产品有害物质表
In accordance with the provisions of SJ/T 11364, visit smarttech.com/compliance for this product hazardous materials table.



support.smarttech.com/support
support.smarttech.com/contact-support



KB 171232

1030866 Rev 03