

SMART Board™ 8070i Interactive Display Installation Guide

Extraordinary made simple™

SMART™

Trademark Notice

SMART Board, SMART Notebook, SMART Meeting Pro, smarttech and the SMART logo are trademarks of SMART Technologies ULC in the U.S. and/or other countries. HDMI is a trademark or registered trademark of HDMI Licensing LLC. All third-party product and company names may be the trademarks of their respective owners.

FCC warning

This equipment has been tested and found to comply with the limits for a Class A digital device, pursuant to Part 15 of the FCC Rules. These limits are designed to provide reasonable protection against harmful interference when the equipment is operated in a commercial environment. This equipment generates, uses and can radiate radio frequency energy and, if not installed and used in accordance with the manufacturer's instructions, may cause harmful interference to radio communications. Operation of this equipment in a residential area is likely to cause harmful interference in which case the user will be required to correct the interference at his own expense.

Patent list

US5448263; US6141000; US6320597; US6326954; US6337681; US6421042; US6563491; US6674424; US6741267; US6747636; US6760009; US6803906; US6829372; US6919880; US6947032; US6954197; US6972401; US7151533; US7184030; US7236162; US7289113; US7342574; US7379622; US7411575; US7499033; US7532206; US7619617; US7626577; US7643006; US7692625; CA2058219; CA2252302; CA2386094; CA2453873; EP1297488; EP1739528; ES2279823; JP4033582; JP4052498; JP4057200; ZL0181236.0; DE60124549; Other patents pending.

Copyright Notice

© 2010 SMART Technologies ULC. All rights reserved. No part of this publication may be reproduced, transmitted, transcribed, stored in a retrieval system or translated into any language in any form by any means without the prior written consent of SMART Technologies ULC. Information in this manual is subject to change without notice and does not represent a commitment on the part of SMART.

Contents

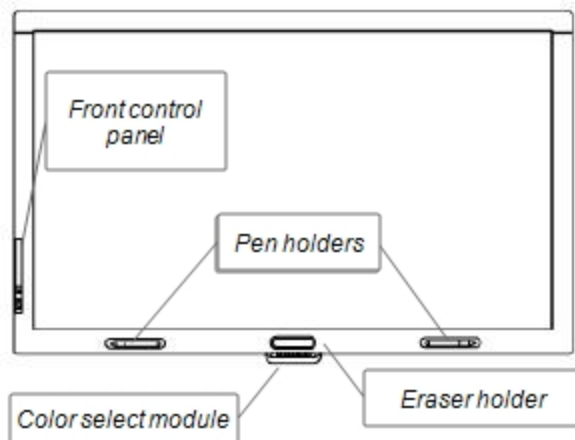
| | |
|---|-----------|
| Installing your interactive display | 1 |
| Components of your interactive display..... | 1 |
| Wall-mounting your interactive display..... | 2 |
| Installing the interactive display speakers..... | 5 |
| Cabling instructions for the interactive display..... | 5 |
| Connecting to power and your room computer..... | 6 |
| Installing a guest laptop connection..... | 7 |
| Connecting external equipment to the bottom terminal panel..... | 9 |
| Turning on and turning off your interactive display..... | 11 |
| Installing SMART software..... | 11 |
| Hardware environmental compliance | 14 |
| Waste Electrical and Electronic Equipment regulations (WEEE directive)..... | 14 |
| Restriction of Certain Hazardous Substances (RoHS directive)..... | 14 |
| Batteries..... | 14 |
| Packaging..... | 15 |
| Covered electronic devices..... | 15 |
| China’s Electronic Information Products regulations..... | 15 |
| U.S. Consumer Product Safety Improvement Act..... | 15 |
| California Air Resources Board – Airborne Toxic Control Measure..... | 15 |
| Restriction of Certain Chemicals (REACH directive)..... | 16 |
| Customer support | 18 |
| Online information and support..... | 18 |
| Training..... | 18 |
| Technical support..... | 18 |
| Shipping and repair status..... | 18 |
| General inquiries..... | 19 |
| Warranty..... | 19 |
| Registration..... | 19 |

Installing your interactive display

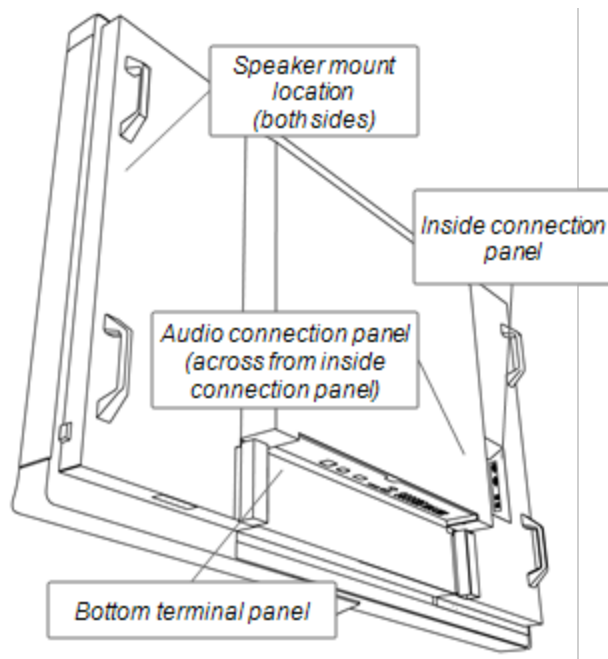
Components of your interactive display

The following images identify the components of your interactive display.

Front view



Back view



Wall-mounting your interactive display

Use a team of trained, professional installers equipped with a lifting device to install your interactive display.

WARNING

- Improper installation can result in personal injury or product damage.
- Your interactive display weighs 262 lb. (119 kg). Refer to local building codes to ensure your installation area can support this weight.

CAUTION

Do not allow the weight of your interactive display to rest on the color select module or the bottom bezel because they are not designed to support product weight. Attach other components while your interactive display is either still in its packaging or suspended from a lifting device to prevent the weight of your interactive display from damaging the color select module.

IMPORTANT

Save all product packaging so that it is available if you need to transport your interactive display. If your original packaging is not available, you can purchase new product packaging from your authorized SMART reseller.

Important mounting considerations for trained installers

Consider the following when mounting your interactive display on a wall:

- Plan your workflow to include cabling because some cable attachment points might not be accessible post-installation.

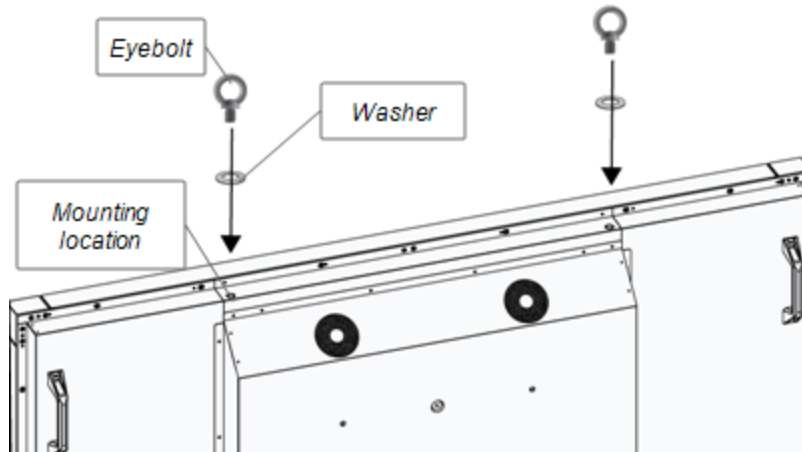
IMPORTANT

Speakers must be attached and speaker wires connected to your interactive display before it is wall-mounted. See *Installing the interactive display speakers* on page 5.

- To wall-mount this interactive display, you require a standard VESA[®] 400 mm × 400 mm mounting plate, not included.

INSTALLING YOUR INTERACTIVE DISPLAY

- Attach the included M12 eyebolts and washers to assist in mounting.



WARNING

- In order to aid in mounting or carrying, a lifting device must be used in conjunction with the M12 attachable eyebolts. Do not attempt to mount or carry the display using your own strength because the display may fall and cause personal injury.
 - Use VESA-approved mounting hardware. Remove the M12 eyebolts after installation.
- Inspect the installation location to ensure that it can support the weight of your interactive display.
 - Use M8 screws to fasten the wall bracket. The length of the screws must be 14-15 mm plus the thickness of the bracket and the washer. If using screws longer than 14-15 mm, ensure sufficient depth.
 - Recommended fasten force is 1125-1375 N·cm
 - Refer to the instructions included with the mounting equipment for more detailed information.

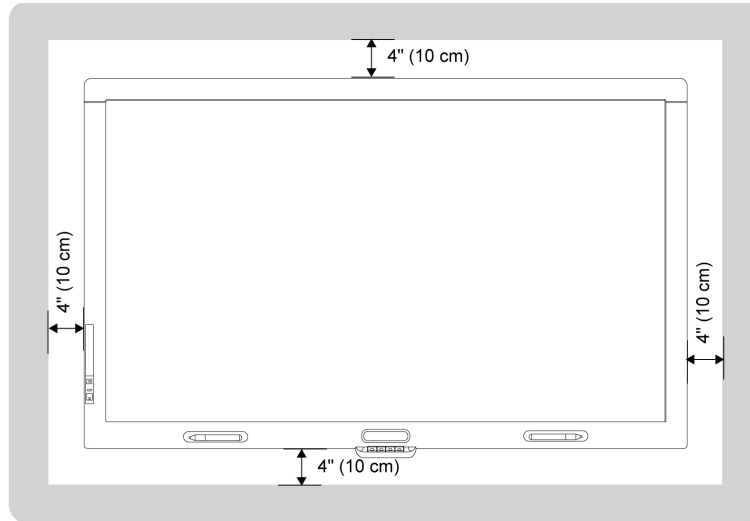
Selecting the mounting location

Consider the following when you select a location for your interactive display:

- The wall must be strong enough to support your interactive display and the mounting accessories. Your interactive display weighs 262 lb. (119 kg).
- Do not install your interactive display in a location where a door or gate can hit it.
- Do not install your interactive display in an area where it will be subjected to strong vibrations or dust.
- Do not install your interactive display near where the main power supply enters the building.

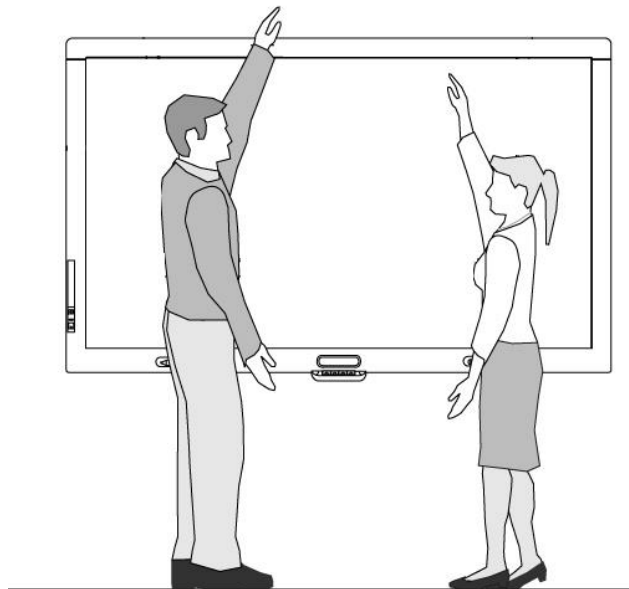
INSTALLING YOUR INTERACTIVE DISPLAY

- Do not install your interactive display where people can easily grab and hang onto it or the mounting apparatus.
- Ensure adequate ventilation or provide air conditioning around your interactive display so that heat can flow away from the unit and mounting apparatus.
- When mounting your interactive display in a recessed area, such as in a wall, leave at least 4" (10 cm) of space between your interactive display and the recess walls to ensure proper ventilation.



Choosing the mounting height for your interactive display

Consider the heights of your users when choosing the mounting height for your interactive display.



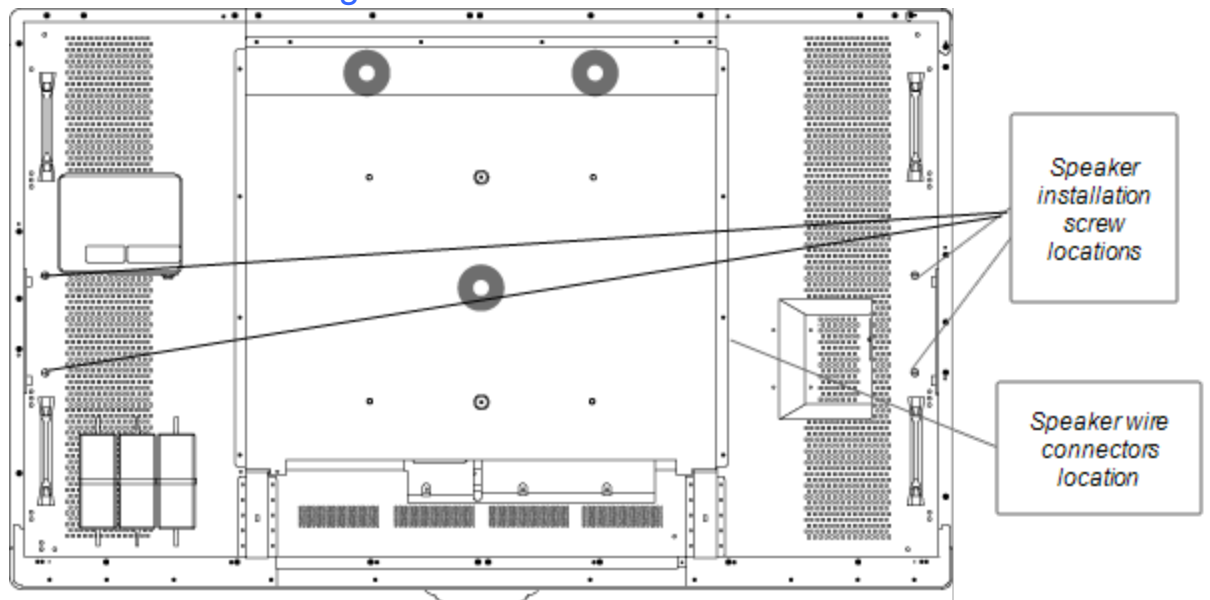
Installing the interactive display speakers

Your interactive display comes with two 15 W speakers.

IMPORTANT

Install the speakers on your interactive display before installing the interactive display on the wall. Install the speakers while the interactive display is either still in its product packaging or suspended from a lifting device.

Audio connection diagram



To connect the speakers

1. Attach the supplied speakers to the side of the interactive display with the included screws.
2. Connect the speaker wires to the speaker connectors found on the right side of the back of your interactive display.

Cabling instructions for the interactive display

Your interactive display must be connected to a computer and a power source. The installed computer connections consist of:

- A room computer connected to both the USB #1 and the VGA connector. This is the default computer for the interactive display.

INSTALLING YOUR INTERACTIVE DISPLAY

- A guest laptop cable bundle connected to the USB #2 and RGB/HV connectors. The cabling can be installed running to a remote location, such as a conference table. This cabling is optional.

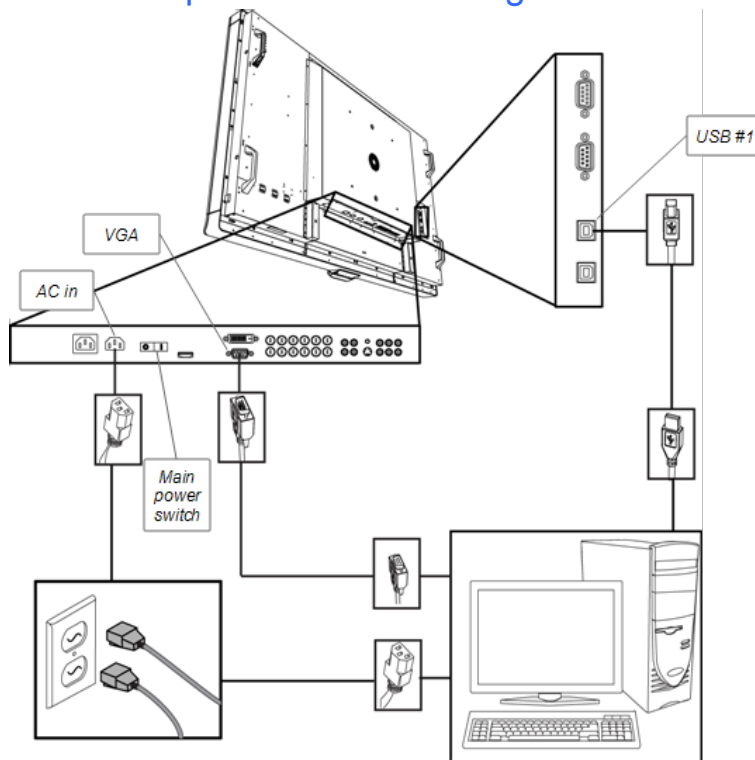
A wire bundle of these two connectors is not included with your interactive display, but available from your authorized SMART reseller. Refer to the interactive display specifications document for ordering information.

You can switch inputs between your room computer and the guest laptop connection with the input button in the front control panel or with the input button on the infrared remote control.

Connecting to power and your room computer

Your room computer is the default computer for your interactive display. Connect a VGA cable and a USB cable from this computer to the VGA connector and #1 USB connector on your interactive display.

Room computer connection diagram



■ To connect your interactive display to power and your room computer

1. Connect the included VGA cable from your computer to the VGA connector on the terminal panel.



IMPORTANT

Your room computer must be connected to your interactive display with a VGA cable. If you connect to it with another video input, you will not have touch control.

2. Connect the included USB cable from the USB #1 connector on the inside connection panel of the interactive display to a USB 2.0 connector on the computer.

IMPORTANT

Do not connect your room computer to the USB #2 connector on the interactive display. If you do, you will not have touch control for the room computer.

3. Connect the included power cable from the AC IN connector on the interactive display bottom terminal panel to the AC power outlet.
4. Connect the power cable from your computer to the wall outlet.
5. Press the main power switch on the bottom terminal panel to the on position, and then press the power button  on the front control panel..
6. Using the infrared remote control or the input button  on the front control panel, set the input source to VGA.
7. Turn on your computer.

Installing a guest laptop connection

You can install cabling from the interactive display that will enable you to connect a laptop to your interactive display. When you change the input source on the interactive display, you will have touch control over the laptop's desktop.

NOTE

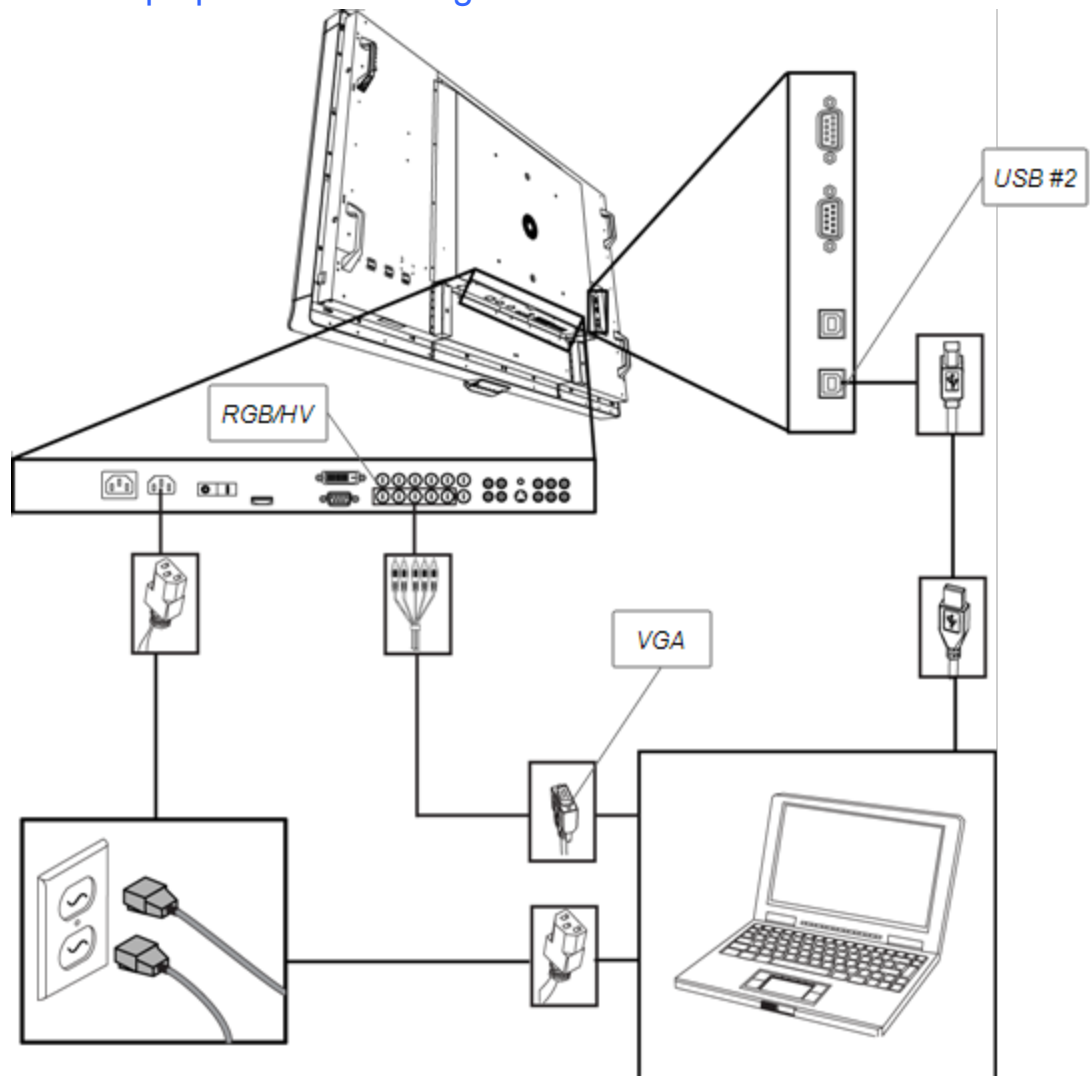
You do not require a laptop to install this cabling.

You require a USB cable and a VGA to RGB/HV cable to install the guest laptop connection. A wire bundle that includes these two connectors is available from your authorized SMART reseller. Refer to the interactive display specifications document for ordering information.

WARNING

Ensure that any cables extending across the floor to your SMART product are properly bundled and marked to avoid a trip hazard.

Guest laptop connection diagram



■ To install a guest laptop connection location

TIP

A wire bundle that includes a USB cable and an RGB/HV to VGA cable is available from your authorized SMART reseller. Refer to the interactive display specifications document for ordering information.

1. Connect a USB cable to the USB #2 receptacle on the inside connection panel of the interactive display, and then run the cable to the laptop location, such as beside the interactive display or on a conference table.
2. Connect a 5-BNC to VGA video cable to the RGBHV interactive display bottom terminal panel, and then run the VGA end of the cable to the remote connection location as above.
3. Bundle and cover the cables as appropriate to avoid a trip hazard..

i NOTE

When using a guest laptop, connecting your laptop to a power outlet is optional.

■ To connect a laptop to the guest laptop connection location

1. Connect the USB cable to a USB connector on the laptop.
2. Connect the VGA cable connector to the laptop.
3. Turn on the laptop.
4. Press the RGB/HV button on the infrared remote control

OR

Use the input button  on the front control panel to change input source to RGB/HV.

■ To return to using the room computer

Press the VGA button on the infrared remote control.

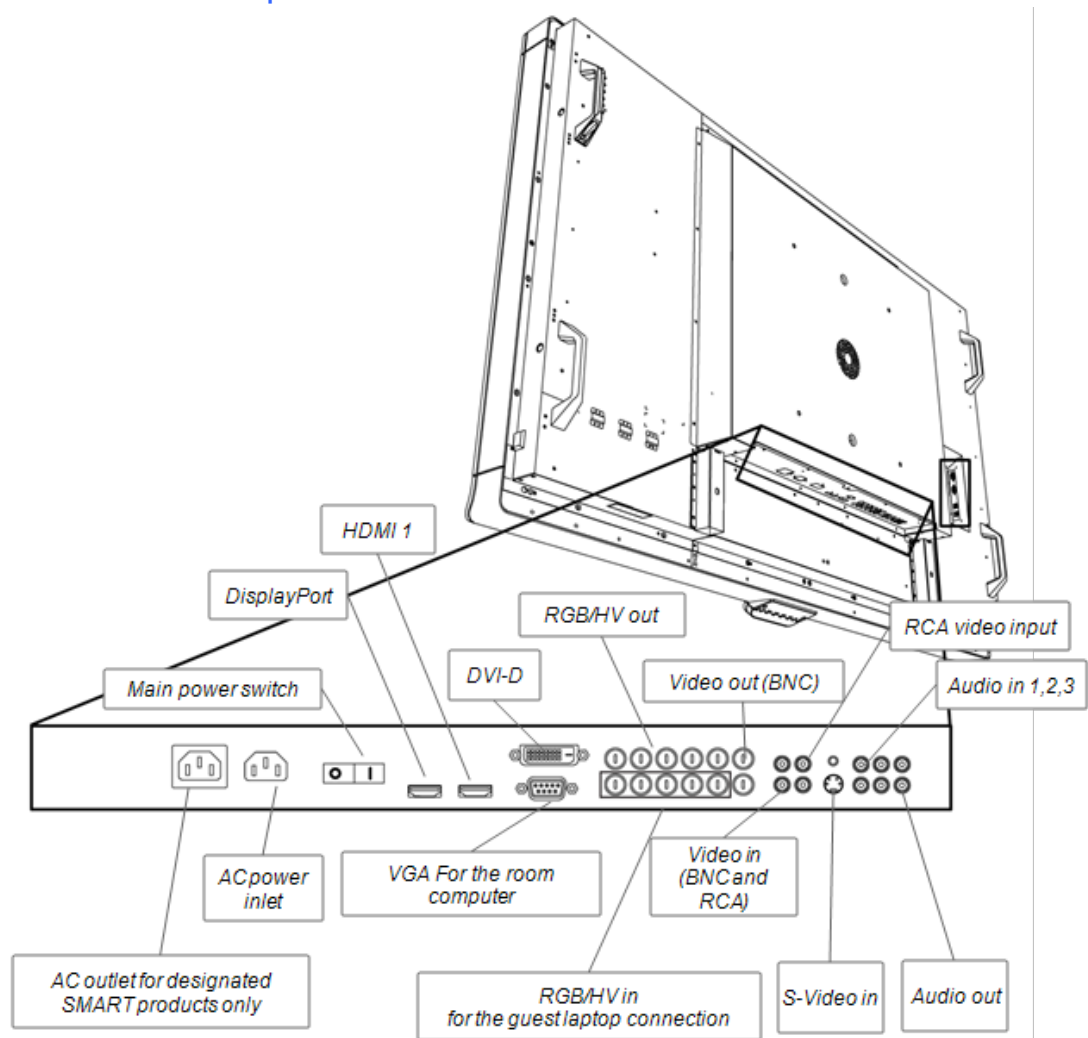
OR

Use the input button  on the front control panel to change the input source to VGA.



Connecting external equipment to the bottom terminal panel

The interactive display terminal panels enable you to connect external equipment to your interactive display.

Bottom terminal panel



■ To connect external equipment


1. Turn off your interactive display with the power button  on the front control panel.
2. Ensure your external equipment is connected to its power source and is turned off.
3. Connect your interactive display to your external equipment using approved cables.
4. Press the power button  on the front control panel.
5. Turn on your external equipment.

▲ CAUTION

The bottom terminal panel has an AC power outlet for a SMART product that is not yet released. To prevent damage to your interactive display, do not connect other items to this power outlet.

Turning on and turning off your interactive display

■ To turn on your interactive display

1. Turn on your computer.
2. Press the main power switch on the bottom terminal panel to turn on your interactive display.
3. Press the power button  on the front control panel.

Your computer's logon screen or desktop appears on your interactive display.


■ To turn off the interactive display

1. Shut down your computer.
2. Turn off your interactive display with the infrared remote.

OR

Press the power button  on the front control panel.

NOTE

You can turn off the main power switch on the bottom terminal panel if it is accessible. However, this is not recommended because the next user may not know this has occurred, and will unsuccessfully attempt to turn on the interactive display with the infrared remote control or the power button  on the front control panel.

Installing SMART software

To use your interactive display, you need to install SMART software on the computer connected to the interactive display.

SMART software includes:

- SMART Product Drivers, which enable touch interactivity and digital ink
- SMART Notebook™ collaborative learning software

OR

SMART Meeting Pro™ software.

Installing SMART Notebook software on your computer

The SMART Notebook software CD includes two components:


- SMART Product Drivers
- SMART Notebook software

IMPORTANT

You should have an Internet connection during installation so that you can get a software activation key and download software updates.

For a complete list of SMART Notebook software system requirements, see the SMART Notebook software release notes (smarttech.com/kb/126571).

To install SMART Notebook software and SMART Product Drivers

1. Place the included installation CD in your computer's CD tray.
The installation wizard appears.
2. Follow the on-screen instructions. You will be prompted to enter your product activation key. You must register your interactive display online using the serial number found underneath its color selection module.
3. Click the **SMART Board icon**  in the notification area (Windows® operating systems) or the Dock (Mac operating system software), and then select **Check for Updates**.
The SMART Product Update screen appears.
4. Follow the onscreen instructions to update your SMART Notebook software and SMART Product Drivers to their most recent versions.

Installing SMART Meeting Pro software on your computer

The SMART Meeting Pro software download includes two components:

- SMART Product Drivers
- SMART Meeting Pro software

This software requires a computer with a Windows operating system. For a complete list of SMART Meeting Pro software system requirements, see the SMART Meeting Pro software release notes (smarttech.com/kb/141332).


IMPORTANT

Your product packaging includes an activation key for SMART Meeting Pro software. Please retain this activation key for your records.

■ To download SMART Meeting Pro software

1. Go to www.smarttech.com/downloads.
2. Click the **SMART Meeting Pro software** link.
3. Click **Download**.
4. Follow the on-screen instructions to save the executable file to your desktop.

■ To install SMART Meeting Pro software and SMART Product Drivers

1. Double-click the executable file.
2. Follow the on-screen instructions. You'll be prompted to enter your product activation key.
3. Click the **SMART Meeting Pro Icon**  in the notification area, and then select **Check for Updates**.

The SMART Product Update window appears.

4. Follow the on-screen instructions to update your SMART Meeting Pro software and SMART Product Drivers to their latest versions.



IMPORTANT

Your activation key is included in your product packaging.

Using your interactive display

Once you have installed SMART software on your computer, you have touch control for the computer desktop that is displayed on the interactive display screen. You can open files, move icons, write in digital ink using the included pens and erase digital ink using the included eraser.

If you are unable to complete these actions, see the *SMART Board 8070i Interactive Display User's Guide* for more troubleshooting information.

Appendix A

Hardware environmental compliance

SMART Technologies supports global efforts to ensure that electronic equipment is manufactured, sold and disposed of in a safe and environmentally friendly manner.

Waste Electrical and Electronic Equipment regulations (WEEE directive)

Waste Electrical and Electronic Equipment regulations apply to all electrical and electronic equipment sold within the European Union.

When you dispose of any electrical or electronic equipment, including SMART Technologies products, we strongly encourage you to properly recycle the electronic product when it has reached end of its life. If you require further information, please contact your reseller or SMART Technologies for information on which recycling agency to contact.

Restriction of Certain Hazardous Substances (RoHS directive)

This product meets the requirements of the European Union's Restriction of Certain Hazardous Substances (RoHS) directive 2002/95/EC.

Consequently, this product also complies with other regulations that have arisen in various geographical areas, and that reference the European Union's RoHS directive.

Batteries

Batteries are regulated in many countries. Check with your reseller to find out how to recycle used batteries.

APPENDIX A

Hardware environmental compliance

There are special regulations that must be met when shipping a product that has a lithium ion battery packaged with the product or shipping a lithium ion battery. When returning a SMART Technologies product which contains a lithium ion battery or returning a lithium ion battery, call SMART Technologies RMA for information on these special shipping regulations:

- 1.866.518.6791, Option 4 (U.S./Canada)
- 1.403.228.5940 (all other countries)

Packaging

Many countries have regulations restricting the use of certain heavy metals in product packaging. The packaging used by SMART Technologies to ship products complies with applicable packaging laws.

Covered electronic devices

Many U.S. states classify monitors as covered electronic devices and regulate their disposal. Applicable SMART Technologies products meet the requirements of the covered electronic devices regulations.

China's Electronic Information Products regulations

China regulates products that are classified as EIP (Electronic Information Products). SMART Technologies products fall under this classification and meet the requirements for China's EIP regulations.

U.S. *Consumer Product Safety Improvement Act*

The United States has enacted the *Consumer Product Safety Improvement Act* which limits the lead (Pb) content in products used by children. SMART Technologies is committed to complying with this initiative.

California Air Resources Board – Airborne Toxic Control Measure

California has enacted a law to restrict the emissions of formaldehyde from composite wood products. The SMART Technologies products that contain composite wood products are compliant to this regulation.

APPENDIX A

Hardware environmental compliance

Restriction of Certain Chemicals (REACH directive)

The European Union has enacted the REACH directive which restricts the use of certain chemicals in products. SMART Technologies is committed to complying with this initiative.

Appendix B

Customer support

Online information and support

Visit www.smarttech.com/support to view and download user's guides, how-to and troubleshooting articles, software and more.

Training

Visit www.smarttech.com/trainingcenter for training materials and information about our training services.

Technical support

If you experience difficulty with your SMART product, please contact your local reseller before contacting SMART Support. Your local reseller can resolve most issues without delay.

NOTE

To locate your local reseller, visit www.smarttech.com/wheretobuy.

All SMART products include online, telephone, fax and e-mail support:

| | |
|-----------|---|
| Online | www.smarttech.com/contactsupport |
| Telephone | +1.403.228.5940 or Toll Free 1.866.518.6791 (U.S./Canada) (Monday to Friday, 5 a.m. – 6 p.m. Mountain Time) |
| Fax | +1.403.806.1256 |
| E-mail | support@smarttech.com |

Shipping and repair status

Contact SMART's Return of Merchandise Authorization (RMA) group, Option 4, +1.866.518.6791, for shipping damage, missing part and repair status issues.

APPENDIX B

Customer support

General inquiries

| | |
|-------------|--|
| Address | SMART Technologies 3636 Research Road NW Calgary, AB T2L 1Y1 CANADA |
| Switchboard | +1.403.228.5940 or Toll Free 1.866.518.6791 (U.S./Canada) |
| Fax | +1.403.228.2500 |
| E-mail | info@smarttech.com |

Warranty

Product warranty is governed by the terms and conditions of SMART's "Limited Equipment Warranty" that shipped with the SMART product at the time of purchase.

Registration

To help us serve you, register online at www.smarttech.com/registration.