

Specifications

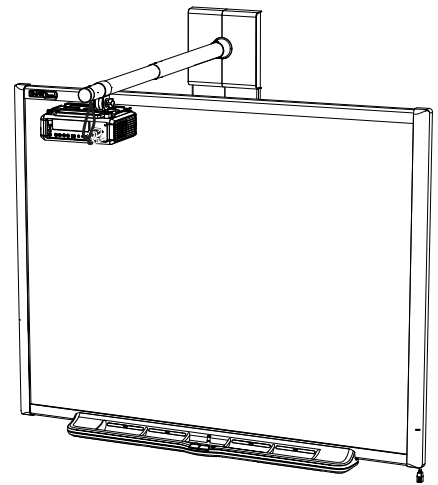
SMART Board™ interactive whiteboard system

Model 680iv

Physical specifications

SMART Board™ 680 interactive whiteboard

Size	65 1/4" W × 49 1/2" H × 5 1/8" D (165.7 cm × 125.7 cm × 13 cm)
Active screen area (maximum interactive projected image)	61 5/8" W × 46 1/8" H (156.5 cm × 117.2 cm) 77" (195.6 cm) diagonal
Weight	30 lb. (13.6 kg)
Shipping size	73 1/2" W × 54" H × 5 1/2" D (186.7 cm × 137.2 cm × 14 cm)
Shipping weight	45 lb. (20.5 kg)



All dimensions +/- 1/8" (0.3 cm). All weights +/- 2 lb. (0.9 kg).

SMART V25 projector system

Projector	18 1/2" W × 15 1/2" H × 51 1/4" D (47 cm × 39.4 cm × 130.2 cm)
Remote control	1 5/8" W × 3 3/8" H × 1/4" D (4 cm × 8.6 cm × 0.7 cm)
Weight	14 lb. 8 oz. (6.7 kg)
Shipping size	Mounting kit box 28 1/2" W × 18" H × 6 5/8" D (72.5 cm × 45.5 cm × 17 cm) Projector box 17 3/4" W × 12 7/8" H × 6 3/8" D (45 cm × 32.6 cm × 16.1 cm)
Shipping weight	20 lb. 8 oz. (9.3 kg)

Extraordinary made simple™

SMART™

SPECIFICATIONS

SMART Board interactive whiteboard system – Model 680iv

Standard features

System requirements	Windows® operating systems and Linux® operating systems. See the SMART Notebook™ collaborative learning software release notes for Windows operating systems (smarttech.com/kb/126571), or Linux operating systems (smarttech.com/kb/146487) for a complete list of system requirements.
Software	The DVD includes SMART Notebook software and SMART Product Drivers. Software upgrades are available from smarttech.com/software .
Environmental compliance	Batteries, China EIP, EU RoHS, EU WEEE, Packaging and US CPSIA
Regulatory certification	
Interactive whiteboard system	CE, C-Tick, FCC, GOST-R
Interactive whiteboard	cCSAus
Projector	CB, cULus, CCC, KC, NOM, PSB, PSE, TUV-GS, VCCI
Warranty	The projector and projector lamp have a two-year limited equipment warranty. Your interactive whiteboard has a two-year limited equipment warranty or a five-year limited equipment warranty upon registration. See warranty documents for details.
Power consumption	301 W in Standard mode and less than 1 W in Standby mode, in accordance with EuP regulations
Cables	Includes a 16' (5 m) USB cable and a country-specific power cable

Interactive whiteboard features

Pen tray	Optical sensors in the pen tray detect when you lift a pen or the eraser from the tray. Indicator lights indicate the active tool.
Pens and eraser	Black, red, green and blue pens and a rectangular eraser
Resolution	Touch resolution is approximately 4000 × 4000.
Screen surface	The hard-coated surface is tear proof, optimized for projection, compatible with dry-erase markers and easily cleaned with whiteboard cleaner.
Digitizing technology	Resistive technology

SPECIFICATIONS

SMART Board interactive whiteboard system – Model 680iv

Projector mounting template	Ensures simple installation and accurate alignment between your projector and your interactive whiteboard
Frame finish	PANTONE® Charcoal Gray 18-0601 TPX and Silver Cool Gray 877C
Wall-mount bracket	Includes a 32" (81.3 cm) wide bracket, five screws and five drywall anchors to support your wall-mounted interactive whiteboard
Installation instructions	The installation instructions included in your SMART Board 680iv interactive whiteboard system are included in the projector boom box. Additional documentation is available from smarttech.com/support .



IMPORTANT

Do not use the installation instructions included in the interactive whiteboard box when installing your SMART Board 680iv interactive whiteboard system.

Theft prevention	The pen tray has a locking feature and a Kensington® security slot.
-------------------------	---

SMART V25 projector system features

System components	SMART V25 projector, remote control and boom mount with a safety tether
Image adjustment	The boom mount includes mechanical adjustments for aligning the projector image with your interactive whiteboard. The projector also has a focus ring and a digital on-screen menu for brightness, contrast and other image attributes.
Display type	Native XGA 1024 × 768 projector
Display technology	The projection engine uses DLP® technology by Texas Instruments™, providing BrilliantColor™ performance and quality Gamma 2.2 correction with Bright Room, Dark Room, sRGB, User and SMART Presentation modes.
3D technology	3D-ready projector using DLP Link™ technology
Brightness	Estimated at 2000 lumens (typical) at a CCT of 6500 K by the IEC method
Lamp life	4500 hours (Standard 190 W mode) or 6000 hours (Economy 160 W mode)
Aspect ratio	Native 4:3 aspect ratio, with support for 16:9, 16:10 and 5:4 aspect ratios
Contrast ratio	1600:1
Video system compatibility	NTSC, NTSC 4.43, PAL, PAL-M, PAL-N, SECAM

SPECIFICATIONS

SMART Board interactive whiteboard system – Model 680iv

Video interface compatibility	Composite, S-video, and VESA® RGB, with additional interface support for Component YPbPr and Component YCbCR inputs with the proper adapters (not included)	
Video format compatibility	Native 4:3 aspect ratio XGA resolution. Supports VGA, SVGA, SXGA, Quad VGA, SXGA+ and UXGA formats with scaling.	
Synchronization	Auto image synchronization (auto tracking, frequency, position adjustment, source detect and phase detect)	
Input/output connections	HD DB15F connector	RGB video input from the computer
	4-pin mini-DIN connector	S-video input
	Pair of audio jacks (RCA, stereo)	reserved for use with S-video
	Composite video connector	RCA-style video input
	Pair of audio jacks (RCA, stereo)	reserved for use with composite video
	3.5 mm stereo jack	audio input from the computer
	3.5 mm stereo jack	audio output to connect speakers
	RJ45	network connection for SNMP management and control, and for sending e-mail alerts
	DB9F (RS-232) connector	input for control codes from external source
Projector noise	36 dBA (high fan speed) or 31 dBA (standard fan speed), measured using the JIS method	
Power requirements	100V AC to 240V AC, at 50 Hz to 60 Hz	
Power cable	Includes a 14' 9" (4.5 m) country-specific power cable	
Room control	The DB9F (RS-232) connector is configured to accept control codes from your computer or a room control system.	
Power consumption	240 W in High Brightness, 200 W in Economy mode and <1 W in Standby mode (without a network connection)	
Remote control	Provides an alternative method of controlling the projector settings	
Theft protection	The projector system features an optional padlocked ring to prevent theft.	
	A Kensington security lock slot is provided to secure the system to a wall as a visual and physical theft deterrent.	

Storage and operating specifications

Storage	-4°F to 158°F (-20°C to 70°C) at 5% to 90% relative humidity (non-condensing)
----------------	---

SPECIFICATIONS

SMART Board interactive whiteboard system – Model 680iv

Operation

Humidity	5% to 85% relative humidity at 0' to 9800' (0 m to 3000 m)
Temperature	<ul style="list-style-type: none">• 41°F to 95°F (5°C to 35°C) from 0' to 6000' (0 m to 1800 m)• 41°F to 86°F (5°C to 30°C) from 6000' to 9800' (1800 m to 3000 m)
Fan mode	<ul style="list-style-type: none">• Automatic from 0' to 6500' (0 m to 2000 m)• Manually set to High using the service menu from 6500' to 9800' (2000 m to 3000 m)

SMART order numbers

SB680iv	SMART Board 680 interactive whiteboard with a SMART V25 projector
SB680iv-A	SMART Board 680 interactive whiteboard with a SMART V25 projector and 20 W audio system
20-01500-20	Replacement projector lamp
RPEN	Replacement set of four pen tray pens (black, red, green and blue)
RPEN-ER	Replacement set of four pen tray pens (black, red, green and blue) and a rectangular eraser

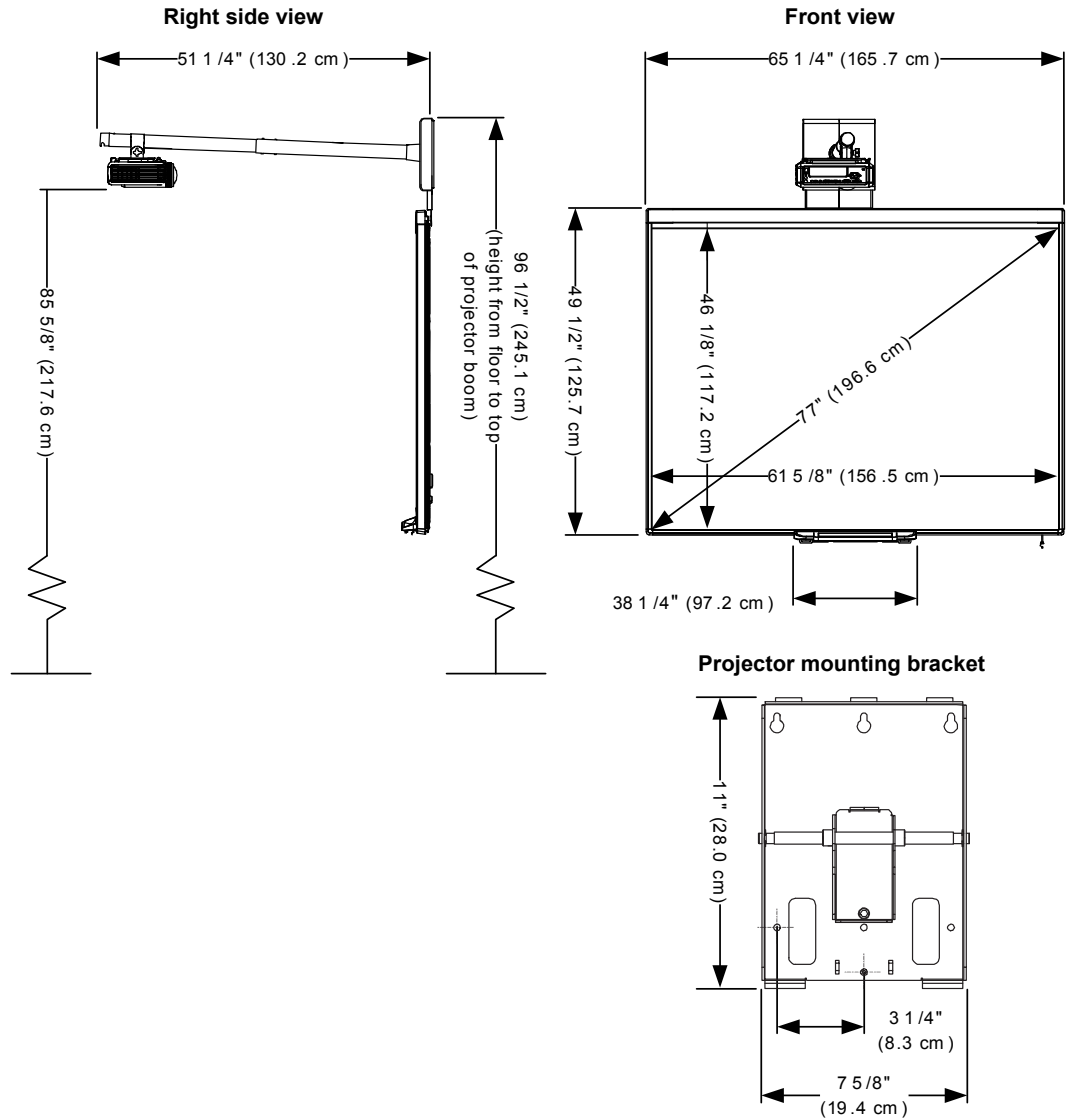
Optional accessories

20-01623-20	Mounting hardware kit for the SMART V25 projector
SBA-V	20 W audio system for SMART Board 680iv interactive whiteboard systems
HAWM-UX/UF	SMART Height-Adjustable Wall Mount
FS-UJX	Mobile height-adjustable floor stand solution for SMART Board interactive whiteboards. This product includes both the height-adjustable wall mount and the floorstand.
AK-00122-20	SMART V25 projector image stabilizer for the SMART Height-Adjustable Wall Mount
USB-XT	USB extender
WC6D	Wireless Bluetooth® connection for SMART Board 600 and D600 series interactive whiteboards

SPECIFICATIONS

SMART Board interactive whiteboard system – Model 680iv

Physical dimensions



www.smarttech.com/support | www.smarttech.com/contactsupport
Support +1.403.228.5940 or Toll Free 1.866.518.6791 (U.S./Canada)

© 2011 SMART Technologies ULC. All rights reserved. SMART Board, SMART Notebook, the SMART logo, smarttech and all SMART taglines are trademarks or registered trademarks of SMART Technologies ULC in the U.S. and/or other countries. DLP Link, DLP, BrilliantColor and Texas Instruments are trademarks of Texas Instruments. All other third-party product and company names may be trademarks of their respective owners. Patent No. US6320597; US6326954; US6741267; US7151533; US7184030; US7757001; USD616462; and USD617332. Other patents pending. Contents are subject to change without notice. 06/2011.