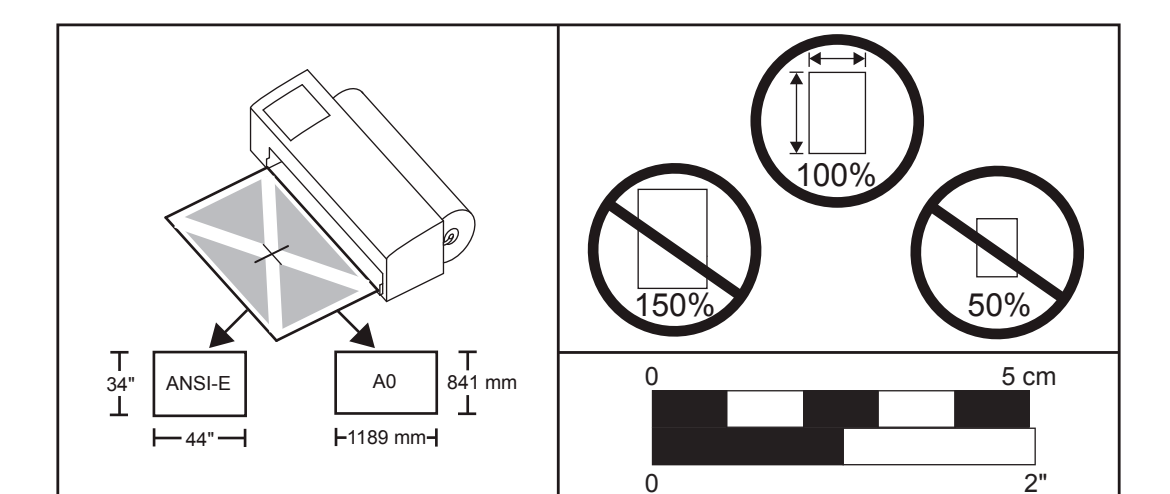


Installation template for the SMART V25 projector
 SMART Board™ 480v and 680v interactive whiteboard systems
 SMART Technologies
 www.smarttech.com/support www.smarttech.com/contactsupport
 99-01129-20 A0



Users are permitted to make copies of this document at 100% scale and distribute the copies for use.

© 2010 SMART Technologies LLC. All rights reserved. SMART Board, smarttech, the SMART logo and all SMART taglines are trademarks or registered trademarks of SMART Technologies LLC in the U.S. and/or other countries. All third-party product and company names may be trademarks of their respective owners. Contents are subject to change without notice. 10/2010.

smarttech.com/kb/153153

smarttech.com/kb/153155

