

Specifications

SMART Board® interactive whiteboard system

Model SBM680Viv2

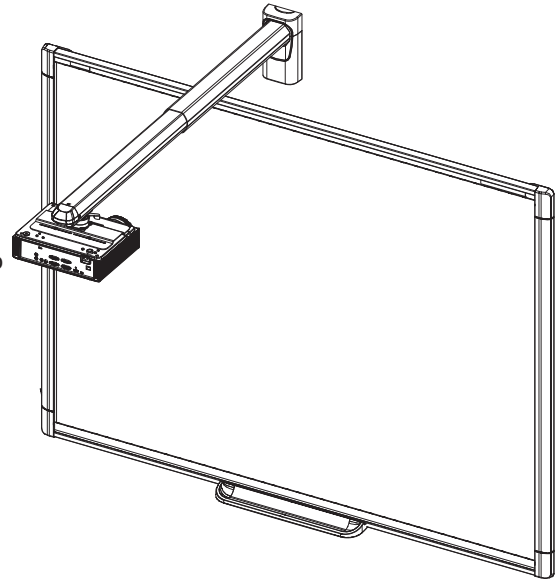
Overview

Your SMART Board® M680Viv2 interactive whiteboard system combines a SMART Board M680V interactive whiteboard, a SMART V30 projector, and other accessories and optional equipment.

The SMART V30 projector provides a bright high-resolution image on a short boom delivering high-definition, high-performance interactivity that is virtually shadow-free and glare-free. You can do everything you can do at your computer—open and close applications, meet with others, create new documents or edit existing ones, visit websites, play and manipulate video clips and more—just by touching the interactive surface.

The SBM680Viv2 system supports video and audio connections from a variety of devices including DVD and Blu-ray™ players, document cameras, and other high-definition sources, and can project media from these sources onto the interactive screen. All HDMI 1.4 inputs are HDCP compliant.

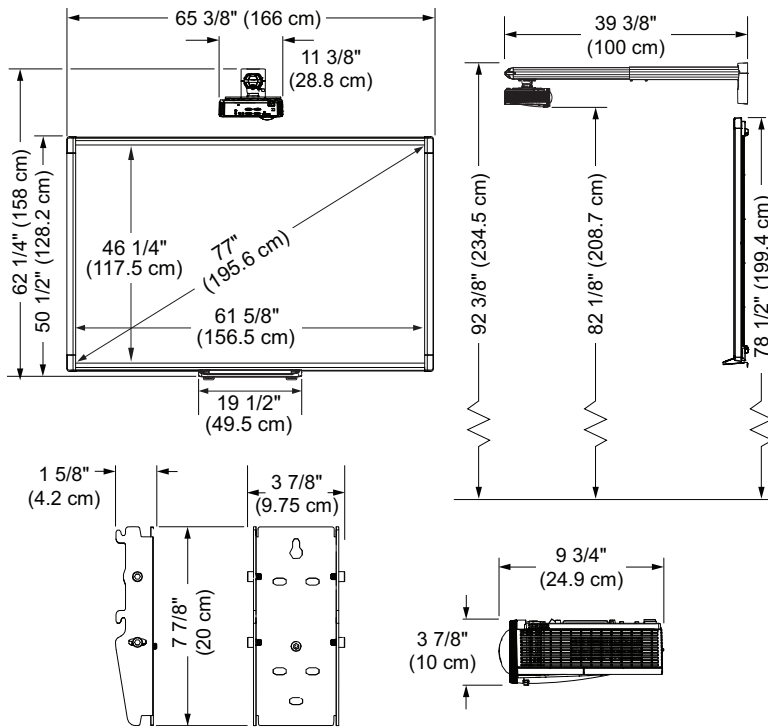
See smarttech.com for more information on this product.



SPECIFICATIONS

SMART BOARD INTERACTIVE WHITEBOARD SYSTEM - MODEL SBM680VIV2

Dimensions and weights¹



SMART Board M680V interactive whiteboard

Weight

40 lb. 13 oz. (18.5 kg)

Shipping dimensions

71 1/4" W × 53" H × 4 1/2" D
(181 cm × 134.6 cm × 11.4 cm)

Shipping weight

52 lb. (23.6 kg)

SMART V30 projector

Weight (projector only)

5 lb. 12 oz. (2.6 kg)

Weight (projector and boom)

18 lb. 14 oz. (8.6 kg)

Shipping dimensions (projector only)

16 1/4" W × 13" H × 5 3/4" D
(41.8 cm × 33 cm × 14.7 cm)

Shipping dimensions (boom only)

35" W × 5 3/4" H × 11 1/8" D
(89 cm × 14.8 cm × 28.1 cm)

Shipping weight (projector only)

7 lb. 12 oz. (3.5 kg)

Shipping weight (boom only)

11 lb. 2 oz. (5.1 kg)

¹All dimensions ± 1/8" (0.3 cm). All weights ± 2 lb. (0.9 kg)

Hardware

Projector

Brightness (Standard)	3000 lumens in 240 W mode at a CCT of 6500 K by the IEC method
Brightness (Eco 1)	2250 lumens in 190 W mode at a CCT of 6500 K by the IEC method
Native resolution	XGA 1024 × 768
Aspect ratio	4:3 with support for 16:9, 16:10 and 5:4 with scaling.
Throw ratio	Short-throw 0.630:1 ratio
Throw distance	39" (1 m)
Keystone	Vertical keystone adjustment available.
Display technology	The projector uses DLP® technology by Texas Instruments™, providing BrilliantColor™ performance and quality Gamma 2.2 correction with Bright Room, Dark Room, sRGB, User and SMART Presentation modes.
Color support	24 bit (16.7 million colors)
Lamp life ²	Up to 6500 hours in Standard (ImageCare) 240 W mode. Up to 8000 hours in Eco 1 (ImageCare) 190 W mode.
Integrated speaker	5 W RMS
Projector noise	38 dBA (Normal mode) or 32 dBA (Eco 1 [Image Care]) measured using the ISO-7779 method
Contrast ratio (typical)	3000:1
Video system compatibility	HDTV (720p and 1080p) video system compatibility and HD Ready (HDMI technology and 720p) available, NTSC, NTSC 4:43, PAL, PAL-N, PAL-M and SECAM (480i/p and 576i/p)
Video interface compatibility	HDCP compliant HDMI, Composite, VESA® RGB with additional interface support for Component YPbPr and Component YCbCr inputs with the proper adapters (not included)
Horizontal frequency	15 kHz-72 kHz
Vertical frequency	25 Hz-75 Hz
Clock frequency	165 MHz
External management	Infrared remote control, RS-232 control port, internal web page
Theft protection	Padlock ring
Included cables and hardware	Infrared remote control 14' 9" (4.5 m) power cable

Interactive whiteboard

Multitouch capabilities	Support for two simultaneous touches enables up to two users to interact with the interactive whiteboard by using the included pens or other objects, or by using their fingers to write and to perform gestures.
-------------------------	---

²Lamp life varies depending on the selected mode, environmental factors and projector use. Over time, the lamp's brightness decreases.

SPECIFICATIONS

SMART BOARD INTERACTIVE WHITEBOARD SYSTEM - MODEL SBM680VIV2

Digitizing technology	Four-camera DViT® (Digital Vision Touch) technology
Included cable	6' (1.8 m) power cable. Power consumption is less than 7 W (100 V to 240 V AC, 50/60 Hz. 5 V DC 2.0 A).
Power requirements	6' (1.8 m) power cable. Power consumption is less than 7 W (100 V to 240 V AC, 50/60 Hz. 5 V DC 2.0 A).
Computer connection	16' (5 m) USB 2.0 cable Your SMART Board M680V interactive whiteboard supports one computer connection on a primary display only.
Pen ledge	The pen ledge can hold up to two pens
Pen	Includes two pens
Frame finish	White and light gray (approximates PANTONE® Cool Gray 4C)

Connectors

Projector connectors	3.5 mm phone jack audio input (shared by VGA 1 and VGA 2 input) 3.5 mm phone jack audio input (composite video) 3.5 mm phone jack audio variable output DB15F RGB VGA video input (VGA In) × 2 DB15F RGB VGA video output (VGA Out) DB9F RS-232 control port HDMI 1.4 input Power (100V-240V AC at 50 Hz-60 Hz) Mini-USB B port (for service use only) RJ45 Ethernet connector RCA analog composite video (yellow)
-----------------------------	--

Computer requirements

SBM680Viv2	Windows® operating system or Mac OS X operating system software with SMART Notebook® collaborative learning software installed. For a complete list of computer requirements, go to smarttech.com/downloads and browse to the latest SMART Notebook software release notes applicable to your operating system.
-------------------	--

Storage and operating requirements

Power consumption

Normal mode	310 W
Eco 1 mode	240 W
Standby mode	0.5 W
Standby mode with network enabled	≤ 4 W

Operating temperature

Interactive whiteboard	41°F to 95°F (5°C to 35°C) from 0' to 6000' (0 m to 1800 m) 41°F to 86°F (5°C to 30°C) from 6000' to 9800' (1800 m to 3000 m)
Projector	0' to 2500' (0 m to 762 m): 41°F to 104°F (5°C to 40°C) 2500' to 5000' (762 m to 1524 m): 41°F to 95°F (5°C to 35°C) 5000' to 10000' (1524 m to 3048 m): 41°F to 86°F (5°C to 30°C)
Storage temperature	-4°F to 122°F (-20°C to 50°C)
Humidity	Up to 80% storage relative humidity, non-condensing. Up to 80% operating relative humidity, non-condensing.

Certification and compliance

Regulatory certification	BIS, BSMI, CB, CCC, CE, C-Tick, CU, FCC, KC, NOM, PSE, SABS, S-Mark, TUV-GS and UL/CSA (U.S./Canada)
---------------------------------	--

Environmental compliance

China	EIP
European Union	REACH, RoHS, WEEE, Battery and Packaging
U.S.	Packaging and Conflict Minerals

Warranty

Interactive whiteboard	Two-year limited equipment warranty
Projector	Three-year limited equipment warranty
Projector lamp (original lamp included with the projector)	3000-hour/three-year warranty
Replacement projector lamp	1000-hour/one-year warranty

Purchasing information

Order numbers

SBM680VIV2	77" (195.6 cm) diagonal SMART Board M680V interactive whiteboard with a SMART V30 projector system. Includes a SMART Notebook software installation DVD.
1025290	Replacement SMART V30 projector lamp module
1013576	Optional mounting hardware kit (see smarttech.com/kb/160505)
1020342	SMART Board interactive whiteboard hardware kit (see smarttech.com/kb/170475)

Optional extended warranty

EWY2-V30	SMART V30 projector two-year extended warranty (available at time of projector purchase only)
----------	---

SPECIFICATIONS

SMART BOARD INTERACTIVE WHITEBOARD SYSTEM - MODEL SBM680VIV2

EWY1-SBM SMART Board M600 series interactive whiteboard one-year extended warranty (available at time of projector purchase only)

EWY3-SBM SMART Board M600 series interactive whiteboard three-year extended warranty (available at time of projector purchase only)

Optional accessories See smarttech.com/accessories

smarttech.com/support

smarttech.com/contactsupport

© 2015 SMART Technologies ULC. All rights reserved. SMART Board, SMART Notebook, DVIT, smarttech, the SMART logo and all SMART taglines are trademarks or registered trademarks of SMART Technologies ULC in the U.S. and/or other countries. All other third-party product and company names may be trademarks of their respective owners. This product and/or use thereof covered by one or more of the following U.S. patents. www.smarttech.com/patents. Contents are subject to change without notice. 09/2015.