

## Specifications

**SMART Board® interactive whiteboard system**

Model SB480i6

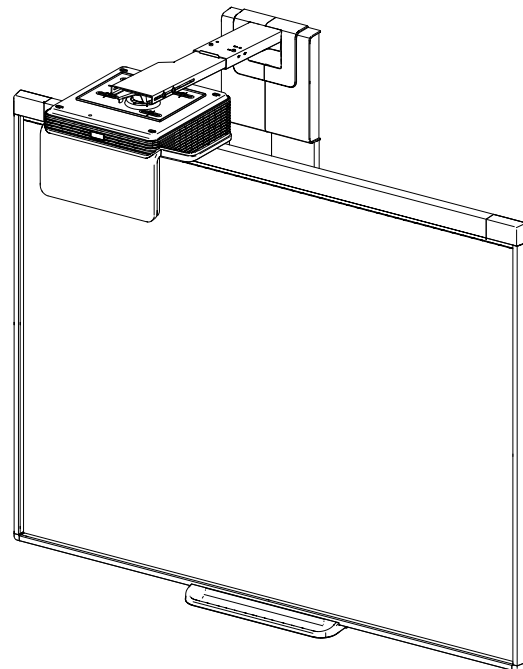
**Overview**

Your SMART Board® 480i6 interactive whiteboard system combines the use of a SMART Board 480 series interactive whiteboard and a the SMART UF70 projector along with other accessories and optional equipment.

The SMART UF70 projector provides an ultra-bright high resolution image on a short boom delivering high definition, high performance interactivity that is virtually shadow-free and glare-free. The SB480 series interactive whiteboard is a durable single-user system. You can do everything you can do at your computer—open and close applications, meet with others, create new documents or edit existing ones, visit websites, play and manipulate video clips and more— just by touching the interactive surface.

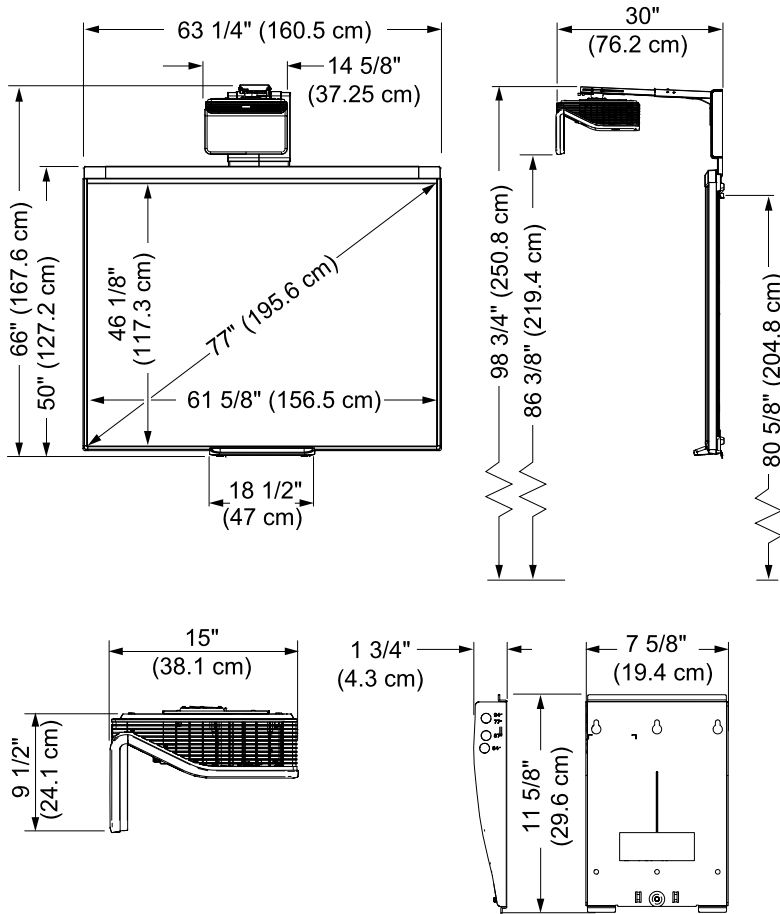
The SB480i6 system supports video and audio from a variety of devices, including DVD and Blu-ray™ players, document cameras, and other high-definition sources, and is displayed on the interactive screen. All HDMI 1.4 inputs are HDCP compliant.

See [smarttech.com](http://smarttech.com) for more information on this product.



## Dimensions and weights<sup>1</sup>

### Dimensions



### SMART Board 480 interactive whiteboard

#### Weight

51 lb. (23.2 kg)

#### Shipping dimensions

70" W × 53 1/2" H × 4 1/2" D  
(178 cm W × 136 cm H × 11 cm D)

#### Shipping weight

63 lb. 2 oz. (28.7 kg)

### SMART UF70 projector

#### Weight (projector only)

16 lb. 11 oz. (7.6 kg)

#### Weight (projector and boom)

28 lb. 6 oz. (12.9 kg)

#### Shipping weight

35 lb. 13 oz. (16.2 kg)

#### Projector dimensions

14 5/8" W × 9 1/2" H × 30" D  
(37.1 cm × 24.1 cm × 76.2 cm)

#### Shipping dimensions

20" W × 15 1/2" H × 24" D  
(50.8 cm × 39.4 cm × 61 cm)

### Remote Control

#### Dimensions

1 5/8" W × 3 3/8" H × 1/4" D  
(4.1 cm × 8.6 cm × 0.6 cm)

<sup>1</sup>All dimensions ± 1/8" (0.3 cm). All weights ± 2 lb. (0.9 kg).

## Hardware

### Projector

Brightness (standard)	3000 lumens 230 W mode at a CCT of 6500 K by the IEC method
Brightness (economy)	2250 lumens 190 W mode. at a CCT of 6500 K by the IEC method
Native resolution	XGA 1024 × 768
Aspect ratio	4:3 with support for 16:9, 16:10 and 5:4 with scaling.
Throw ratio	Short throw 0.43:1 ratio
Throw distance	27" (68.4 cm)
Display technology	The projection engine uses DLP® technology by Texas Instruments™, providing BrilliantColor™ performance and quality Gamma 2.2 correction with Bright Room, Dark Room, sRGB, User and SMART Presentation modes.
Lamp life <sup>2</sup>	Up to 3000 hours in Standard 230 W mode. Up to 4000 hours in Economy 190 W mode.
Integrated loud speaker	9 W rms
Projector noise	32 dBA standard fan speed. 37 dBA high speed fan speed.
Contrast ratio (typical)	2900:1
Video system compatibility	HDTV (720p and 1080p) video system compatibility and HD Ready (HDMI technology and 720p) available, NTSC, NTSC 4:43, PAL, PAL-N, PAL-M and SECAM (480i/p and 576i/p)
Video interface compatibility	HDCP compliant HDMI, Composite, VESA® RGB with additional interface support for Component YPbPr and Component YCbCr inputs with the proper adapters (not included)
Horizontal frequency	15kHz–72 kHz
Vertical frequency	15Hz–75 Hz
Clock frequency	165 Mhz
External management	Infrared remote control RS-232 control port, internal web page, Crestron® RoomView® management via Ethernet



### Interactive whiteboard

Touch resolution	32767 × 32767
Touch	Two-camera one-user system
Digitizing technology	DViT® (Digital Vision Touch) technology
Pen tray	Includes a pen tray pen.

<sup>2</sup>Lamp life varies depending on the selected mode, environmental factors and projector use. Over time, the lamp's brightness decreases.

SPECIFICATIONS

**SMART BOARD® INTERACTIVE WHITEBOARD SYSTEM – MODEL SB480i6**

Accessories	One ergonomic pen with comfort grip
Included cables and hardware SB480i6	14' 9" (4.5 m) power cable Infrared remote control 16' 5" (5 m) USB cable
Theft protection	The projector system features an optional padlocked ring to prevent theft. The Kensington® security slot can affix the system to a wall as a visual and physical theft deterrent.

Connectors

<b>Projector connectors</b>	3.5 mm phone jack audio input 3.5 mm phone jack audio output DB15F RGB VGA video input (VGA In) DB15F RGB VGA video input (VGA Out) DB9F RS-232 control port HDMI 1.4 input Power (100V–240V AC at 50 Hz–60 Hz) USB-B port (for service use only) RJ45 Ethernet connector 7-pin mini-DIN for ECP data 4-pin mini-DIN 5V/2A output for ECP USB HUB/switch power RCA analog audio and composite video (red, white and yellow) Microphone 3.5 mm
-----------------------------	---

Computer requirements

<b>SB480i6</b>	Windows® operating system or Mac operating system software and SMART Notebook® collaborative learning software installed. For a complete list of computer requirements, go to <a href="http://smarttech.com/downloads">smarttech.com/downloads</a> and browse to the latest SMART Notebook software release notes applicable to your operating system.
----------------	--

Storage and operating requirements

<b>Power requirements and consumption</b>	100V–240V AC at 50 Hz–60 Hz
Full mode	360 W
ECO mode	360 W
<b>Standby mode</b>	0.5 W
<b>Operating temperature</b>	
Interactive whiteboard	41°F to 95°F (5°C to 35°C) from 0' to 6000' (0 m to 1800 m) 41°F to 86°F (5°C to 30°C) from 6000' to 9800' (1800 m to 3000 m)
Projector	Standard speed: 41°F to 95°F (5°C to 35°C) from 0' to 6000' (0 m to 1800 m) High speed: 41°F to 86°F (5°C to 30°C) from 6000' to 6800' (1800 m to 2100 m)
<b>Storage temperature</b>	-4°F (-20°C) to 122°F (50°C)

<b>Humidity</b>	Up to 80% storage relative humidity, non-condensing Up to 80% operating relative humidity, non-condensing
-----------------	--

## Certification and compliance

<b>Regulatory certification</b>	CE, CB, CCC, CE, C-Tick, FCC, KC, GOST-R, NOM, PSB, PSE, TUV-GS, UL/CSA(U.S./Canada) and VCCI
---------------------------------	---

### Environmental compliance

China	EIP
European Union	REACH, RoHS, WEEE, Battery, Packaging and ErP Standby
U.S.	Packaging and Conflict Minerals

## Warranty

<b>Interactive whiteboard</b>	Two-year limited equipment warranty
<b>Projector</b>	Three-year limited equipment warranty
<b>Projector lamp</b>	1000-hour/one-year warranty

## Purchasing information

### Order numbers

SB480i6	77" (195.4 cm) diagonal SMART Board interactive whiteboard with a SMART UF70 projector system. Includes a SMART Notebook software installation DVD.
1020991	Replacement lamp for SMART UF70 and UF70w projectors
1013576	Projector hardware kit (see <a href="http://smarttech.com/kb/160505">smarttech.com/kb/160505</a> )

### Optional extended warranty

(EWY1-UF70)	SMART UF70 projector one year warranty extension (available at time of projector purchase only)
(EWY2-UF70)	SMART UF70 projector two year warranty extension (available at time of projector purchase only)

<b>Optional accessories</b>	See <a href="http://smarttech.com/accessories">smarttech.com/accessories</a>
-----------------------------	--

[smarttech.com/support](http://smarttech.com/support)

[smarttech.com/contactsupport](http://smarttech.com/contactsupport)

© 2013–2015 SMART Technologies ULC. All rights reserved. SMART Board, smarttech, the SMART logo and all SMART taglines are trademarks or registered trademarks of SMART Technologies ULC in the U.S. and/or other countries. All third-party product and company names may be trademarks of their respective owners. This product and/or use thereof covered by one or more of the following U.S. patents. [www.smarttech.com/patents](http://www.smarttech.com/patents). Contents are subject to change without notice. 07/2015.