

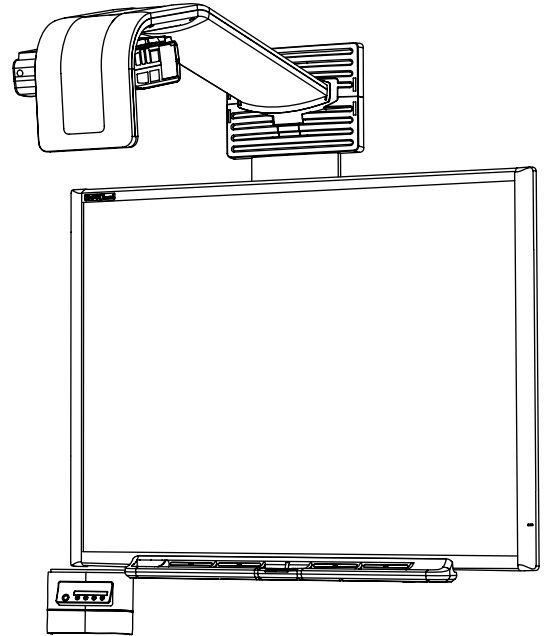
SMART Board™ Interactive Whiteboard System

Specifications – Model 660i2

Physical Specifications

Unifi™ 45 Projector System

Total Size	18 1/2" W x 15 1/2" H x 39 1/2" D (47 cm x 39.4 cm x 100.3 cm)
Extended Control Panel	11" W x 7 5/8" H x 2 3/8" D (27.9 cm x 19.4 cm x 6 cm)
Remote Control	1 3/4" W x 1 1/4" H x 4 1/4" D (4.4 cm x 3.2 cm x 10.8 cm)
Weight	32 lb. (14.5 kg)
Shipping Size	
Accessory Box	53 1/8" W x 14 3/4" H x 14 1/8" D (134.9 cm x 37.5 cm x 35.9 cm)
Projector Box	17 1/2" W x 14 1/2" H x 10 3/4" D (44.5 cm x 36.8 cm x 27.3 cm)
Shipping Weight	51 lb. 8 oz. (23.4 kg)



SMART Board™ 660 Interactive Whiteboard

Size	54 3/4" W x 41 5/8" H x 5 1/8" D (139.1 cm x 105.7 cm x 13 cm)
Active Screen Area	51 1/4" W x 38 1/4" H (130.2 cm x 97.2 cm) 64" diagonal (162.6 cm)
Weight	21 lb. 14 oz. (9.9 kg)
Shipping Size	46" W x 64 1/2" H x 5 1/2" D (116.8 cm x 163.8 cm x 14 cm)
Shipping Weight	35 lb. (15.9 kg)

All dimensions +/- 1/8" (3.2 mm). All weights +/- 2 lb. (0.9 kg).

Standard Features

Software	SMART Notebook software included. See the SMART Notebook software specifications for a complete list of system requirements. Software upgrades are available at www2.smarttech.com/st/en-US/Support/SBS/ .
Certifications and Compliance	CSA (U.S./Canada), CB, CE, FCC, RoHS (China), RoHS (Europe), WEEE, VCCI (Japan), C-Tick (Australia).
Warranty	The projector and extended control panel (ECP) have a three-year limited equipment warranty. The Unifi 45 projector lamp has a 500 hour/90 day warranty. The interactive whiteboard has a two-year limited equipment warranty or a five-year limited equipment warranty upon registration. See warranty documents for details.
Cables	Includes the necessary cables to connect the projector to the extended control panel. However, you must supply the appropriate input cables for your personal computer and devices.

Interactive Whiteboard Features

Pen Tray	Optical sensors in the pen tray detect when you lift a pen or the eraser from the tray. LED lights show the active tool.
Pens and Eraser	A rectangular eraser and black, blue, red and green pens
Resolution	Touch resolution is approximately 4000 × 4000.
Screen Surface	The hard-coated polyester surface is tear proof, optimized for projection, compatible with dry-erase markers and cleans easily with whiteboard cleaner.
Digitizing Technology	Resistive technology
Frame Finish	Two-tone gray (approximates Pantone® Charcoal Gray 18-0601 TPX) and Ultrasonic Chrome (approximates metallic Pantone 877C)
Wall-Mount Bracket	32" (81.3 cm) wide with five screws and drywall anchors to support a wall-mounted interactive whiteboard
Projector Mounting Template	The template ensures simple installation and accurate alignment between the Unifi 45 projector and your SMART Board 660 interactive whiteboard.
Installation Instructions	Do not use the SMART Board 660 interactive whiteboard instructions when installing the SMART Board 660i2 interactive whiteboard system. The installation instructions for the SMART Board 660i2 interactive whiteboard system are included with the Unifi 45 projector.
Theft Prevention	The SMART Board 660 interactive whiteboard features a pen tray locking feature and a Kensington lock on the pen tray.

Unifi 45 Projector System Features

System Components	Unifi 45 projector, boom mount with a limit strap (including a controlled-collapse feature), extended control panel (ECP), remote control and all necessary input cables from the ECP to the projector
Image Adjustment	The mounting boom includes five mechanical adjustments for aligning the projector image with your SMART Board interactive whiteboard. The projector also has a focus lever and a digital on-screen menu for brightness, contrast and other image-related attributes.
Display Type	True XGA 1024 × 768 projector
Display Technology	The projection engine uses DLP® technology by Texas Instruments®, providing brilliant color performance and quality Gamma 2.2 correction with High Brightness, Standard, and True Color modes.
Brightness	Estimated at 2000 lumens (typical) at a CCT of 6500 K by the IEC method
Lamp Life	2000 hours (High Brightness mode) or 3000 hours (Standard mode)
Aspect Ratio	4:3 native, with support for 16:9, 16:10 and 4:5 ratios
Contrast Ratio	2000:1
Video System Compatibility	NTSC, NTSC 4.43, PAL, PAL60, PAL-B, PAL-N, PAL-M, SECAM
Video Interface Compatibility	Composite, S-video, and VESA RGB, with additional interface support for Component YPbPr and Component YCbCR inputs with the proper adapters (not included)
Video Format Compatibility	Native 4 by 3 aspect ratio XGA projector resolution. With scaling, VGA, SVGA, SXGA, QuadVGA, SXGA+ and UXGA formats are supported.
Synchronization	Auto image synchronization (auto tracking, frequency, position adjustment, source detect and phase detect)

Specifications – Model 660i2

Mounting Hardware	Hardware is included for mounting the Unifi projector and the ECP to framed and solid walls. A safety tether and limit strap are included.
Input/Output Connections	Two HD DB15F connectors – RGB video input from computer and/or ECP via VGA connectors HD DB15F connector – video output 4-pin mini-DIN connector – S-video input One pair of audio jacks (RCA, stereo) reserved for use with S-video Composite video connector – RCA-style video input One pair of audio jacks (RCA, stereo) reserved for use with composite video 3.5 mm stereo jack – audio input with dual signal analog mixer 3.5 mm stereo jack – audio output to connect speakers DB9M - serial (RS-232) for power and communication to the ECP
Projector Noise	33 dBA (High mode) or 28 dBA (Standard mode)
Power Requirements	100V AC to 240V AC, at 50 Hz to 60 Hz
Power Switch	Master power control switch
Power Cable	One 14' 9" (4.5 m) power cable included
External Control	The RS-232 connector is configured to accept control codes from your computer or a room control system.
Power Consumption	470 W to 504 W maximum. 5 W (estimated) in Standby mode
Remote Control	Provides an alternate method of controlling the Unifi 45 projector settings.
Theft Protection	The Unifi 45 projector system features optional security screws on the projector plate and an optional padlocked ring to safeguard the adjustment knob. The projector won't function when the padlocked ring is removed from the system because the projector is designed to operate only when it's attached to the boom.

Extended Control Panel (ECP) Features

Input/Output Connections	HD DB15F connector – RGB video from computer HD DB15F connector – RGB video to projector DB9F – serial (RS-232) computer or room control connection DB25M – provides input signals and control signals to the projector 4-pin mini-DIN connector – S-video input One pair of audio jacks (RCA, stereo) reserved for S-video Composite video connector – RCA-style video input One pair of audio jacks (RCA, stereo) reserved for composite video 3.5 mm stereo jack – audio input
Input Selection Buttons	Provide control for the following input types: S-video and associated audio (RCA jacks), composite video and associated audio (RCA jacks), and Computer 2 VGA input and associated 3.5 mm audio stereo jack

Storage and Operating Specifications

Storage	122°F (50°C) maximum storage temperature -40°F (-40°C) minimum storage temperature
Operation	From 0' to 6000' (0 m to 1829 m) 41°F to 95°F (5°C to 35°C) From 6000' to 9800' (1829 m to 2987 m) 41°F to 86°F (5°C to 30°C)

SMART Order Numbers

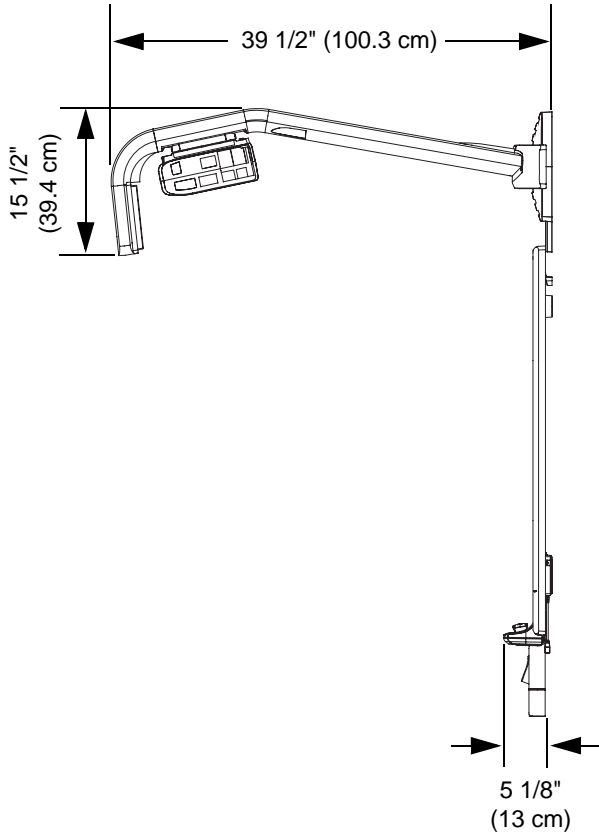
SB660i2	64" (162.6 cm) diagonal SMART Board 660 interactive whiteboard with a Unifi 45 projector system
01-00247	Replacement SB-20 projector lamp
UF45-660	Unifi 45 projector retrofit kit for SMART Board 660 interactive whiteboards

Optional Accessories

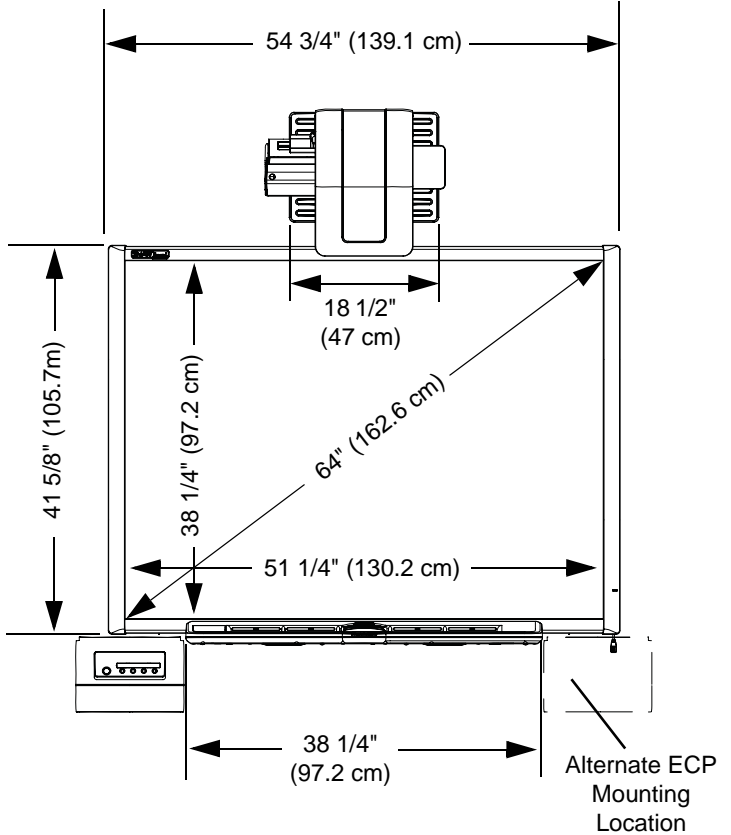
RPEN-ER	Replacement set of four pen tray pens (black, red, blue and green) and a rectangular eraser
RPEN	Replacement set of four pen tray pens (black, red, blue and green)
HAWM-600i2	Height-adjustable Wall Mount for SMART Board 600i2 interactive whiteboard systems
STWL-600i	Stud Wall Mounting Kit for HAWM-600i2
SBA	USB Audio system for SMART Board 600i2 interactive whiteboard systems

Dimensions

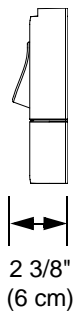
Right Side View



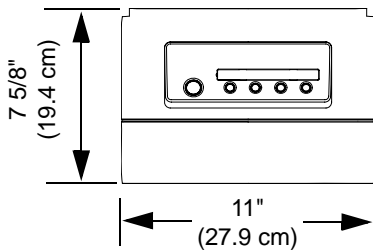
Front View



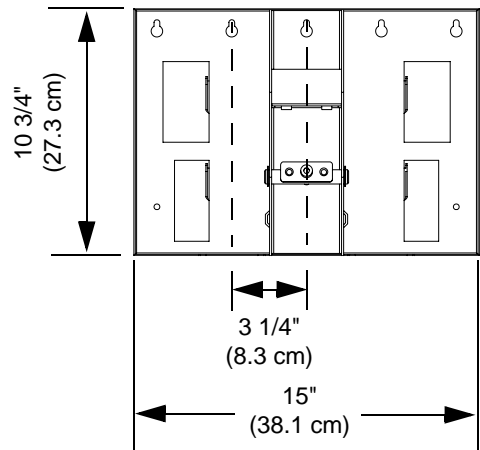
ECP Right Side View



ECP Front View



Projector Mounting Bracket



All dimensions +/- 1/8"

www.smarttech.com/support www.smarttech.com/contactsupport
 Support +1.403.228-5940 or Toll Free 1.866.518.6791 (U.S./Canada)

© 2008-2009 SMART Technologies ULC. All rights reserved. SMART Board, Unifi, smarttech and the SMART logo are trademarks of SMART Technologies ULC in the U.S. and/or other countries. All other third-party product and company names may be trademarks of their respective owners. Patent No. US5448263; US6141000; US6320597; US6326954; US6337681; US6540366; US6741267; US6747636; US7151533; US7283126; US7289113; and CA2058219. Other patents pending. Contents subject to change without notice. 03/2009.

