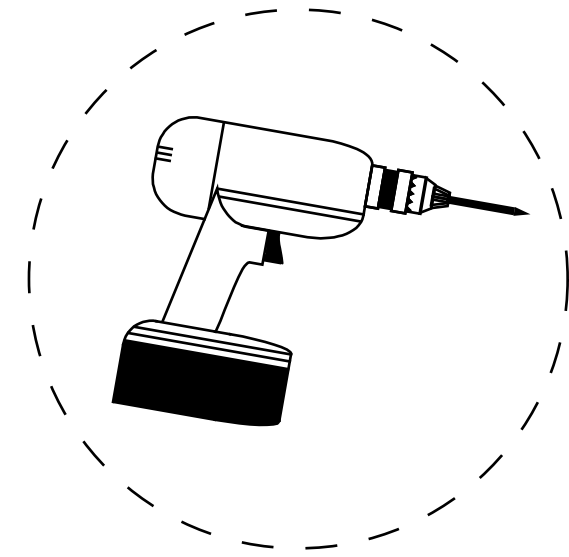


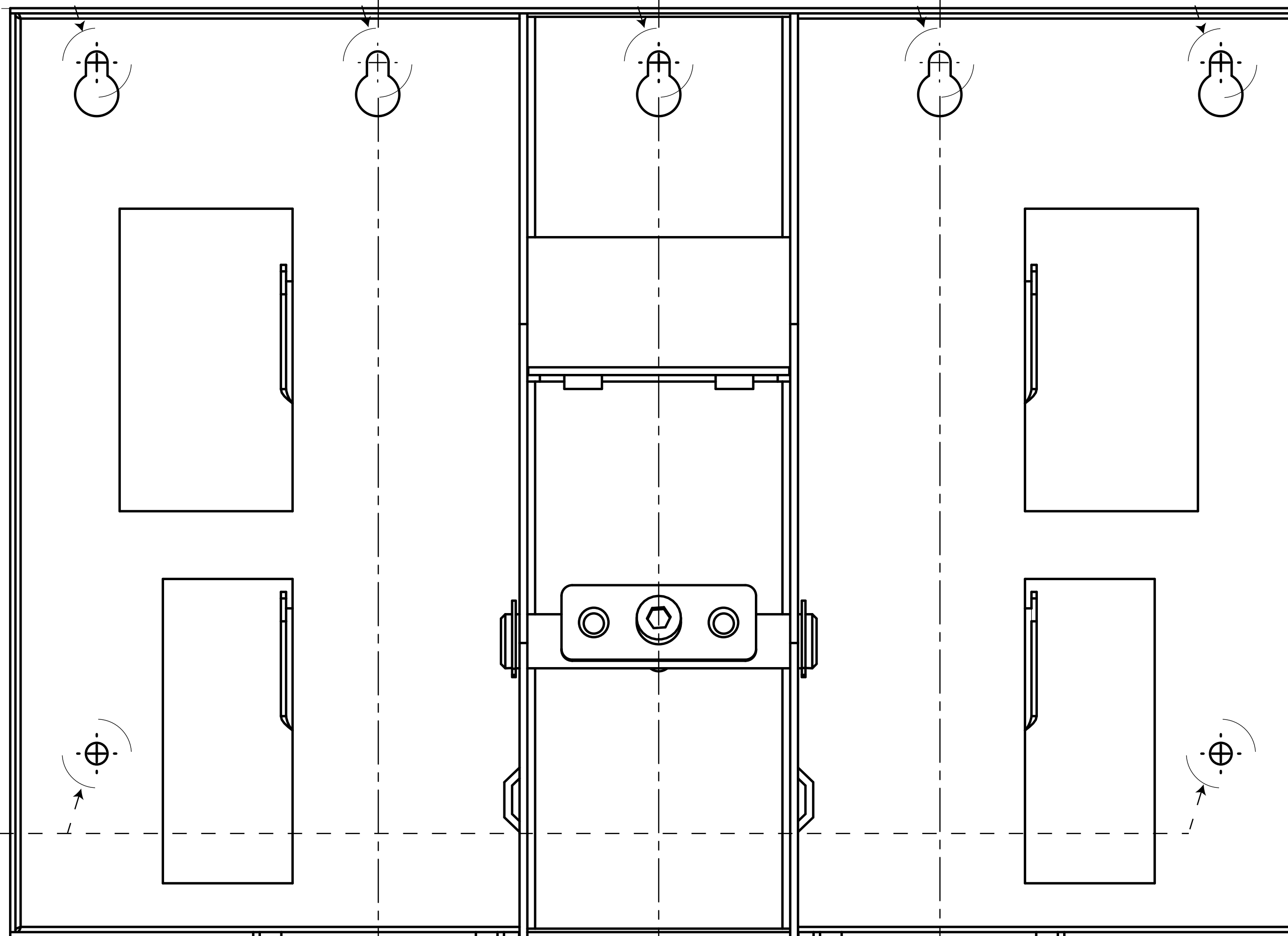
≥ 5"
(12.7 cm)



a

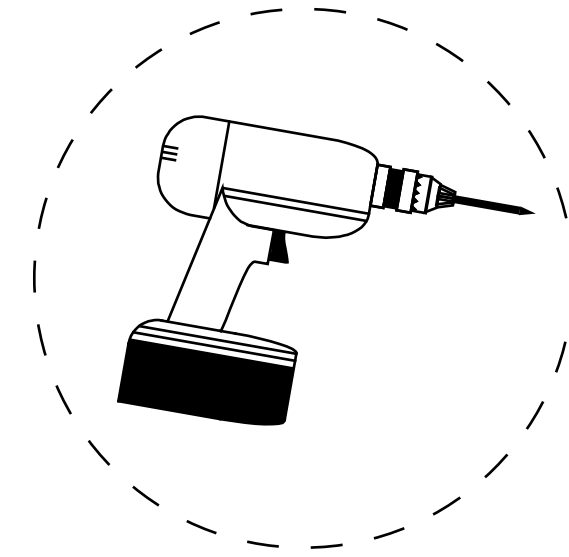
b

c



≤ 3.5"
(8.9 cm)

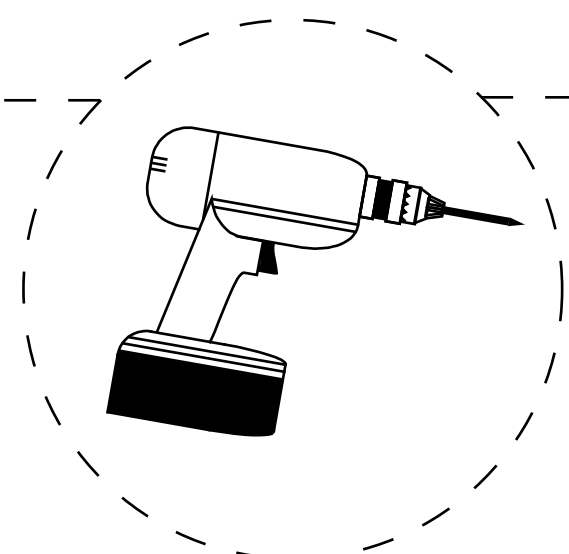
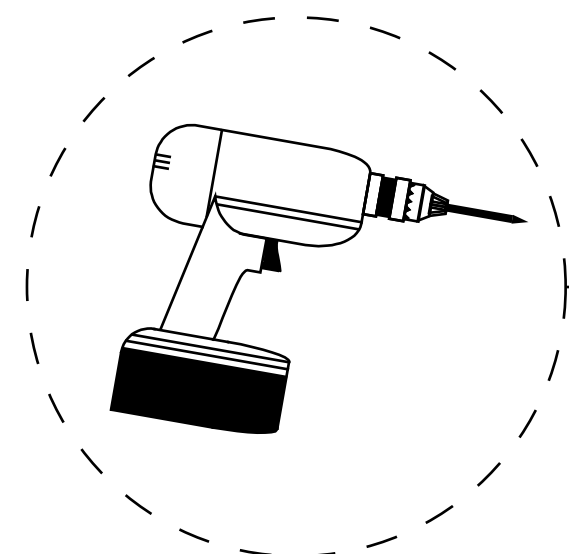
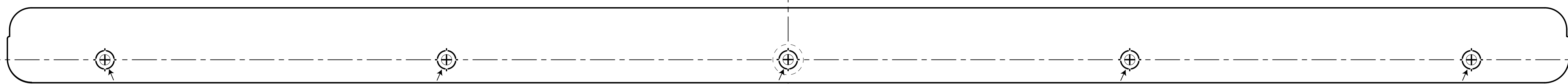
= 7"
(17.8 cm)



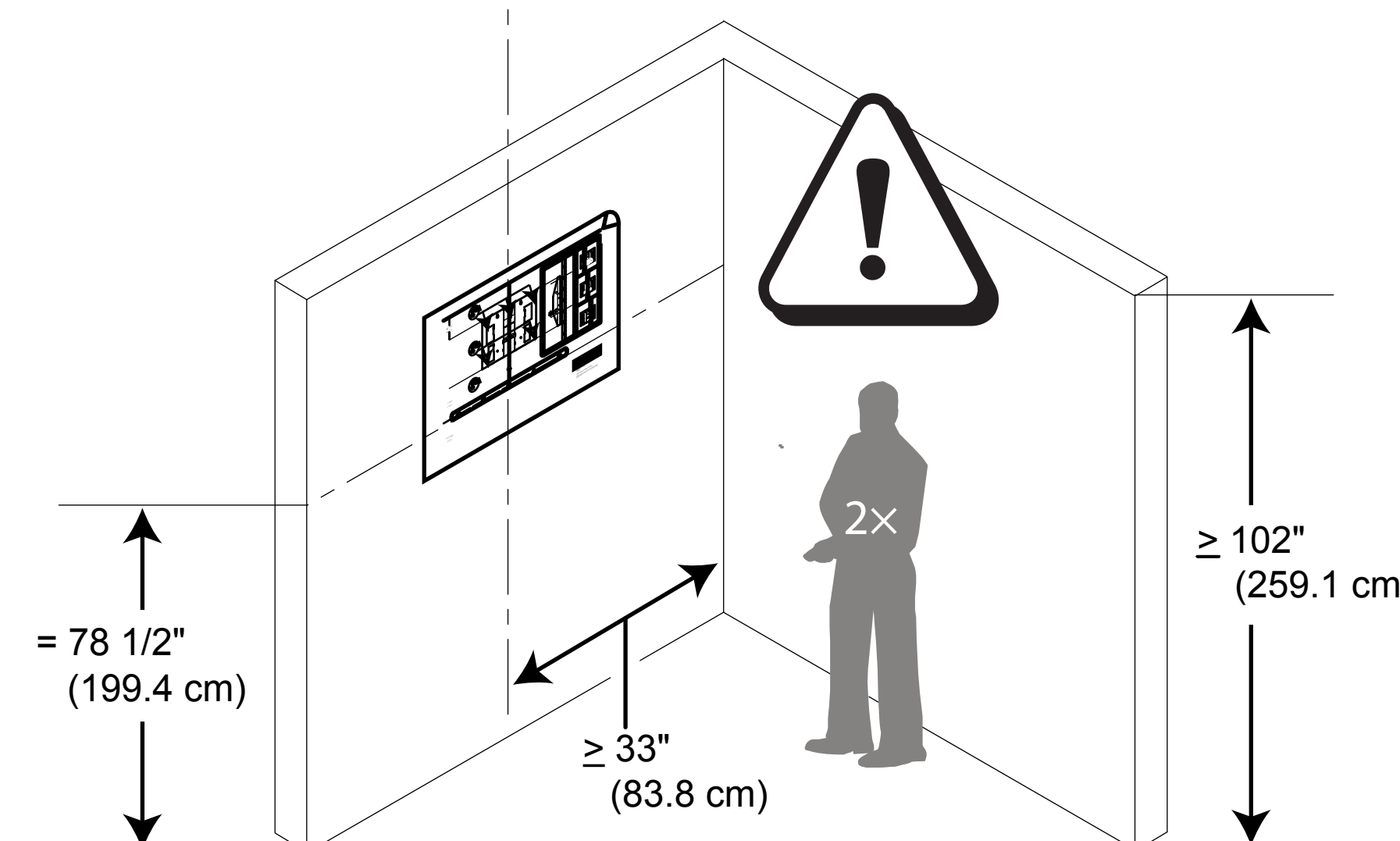
a

b

c



= 78 1/2"
(199.4 cm)



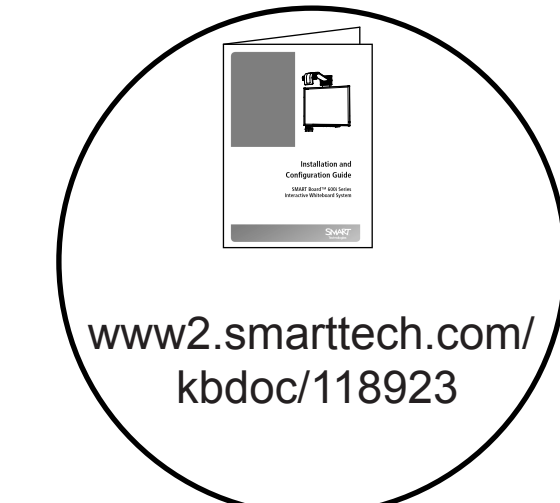
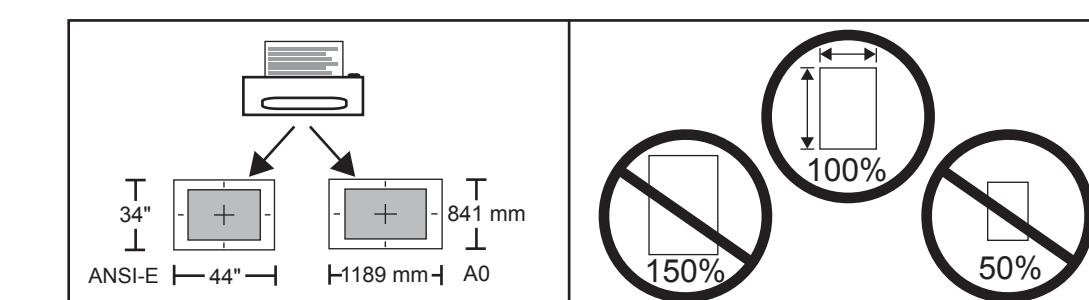
SMART
Technologies

Unifi™ 45

Installation Template for Unifi™ 45 Projector
SMART Board™ 600i2 Interactive Whiteboard System

SMART Technologies
www.smarttech.com/support www.smarttech.com/contactsupport

99-00841-21 REV A0



www2.smarttech.com/
kbdoc/118923