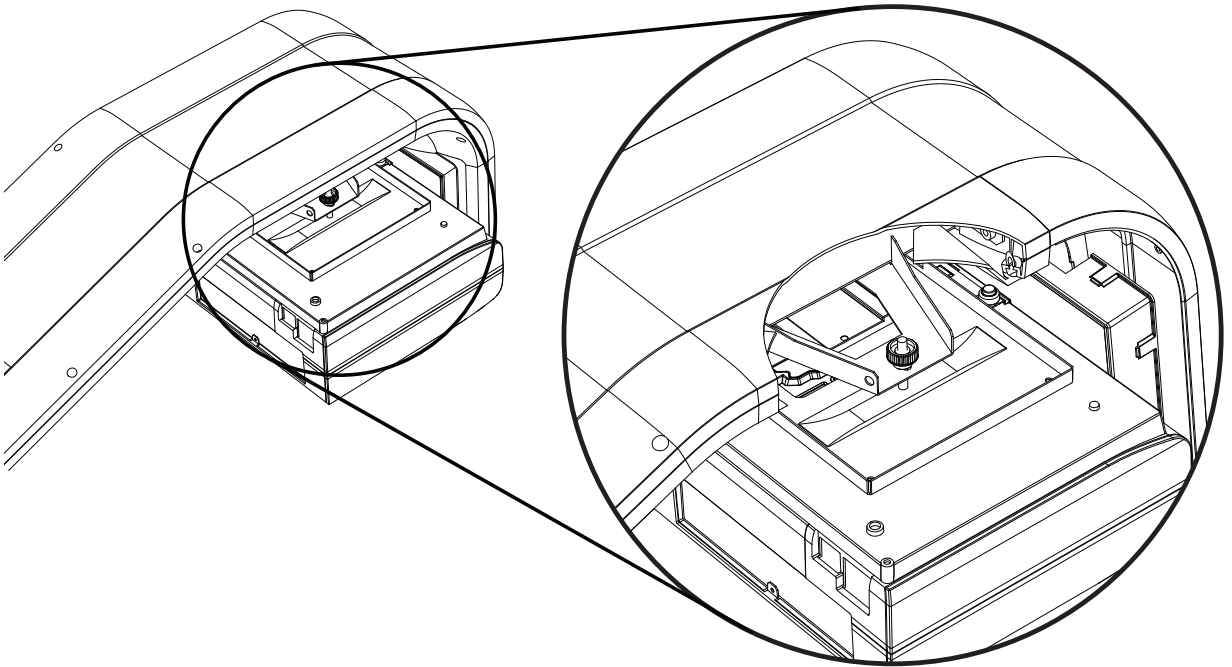
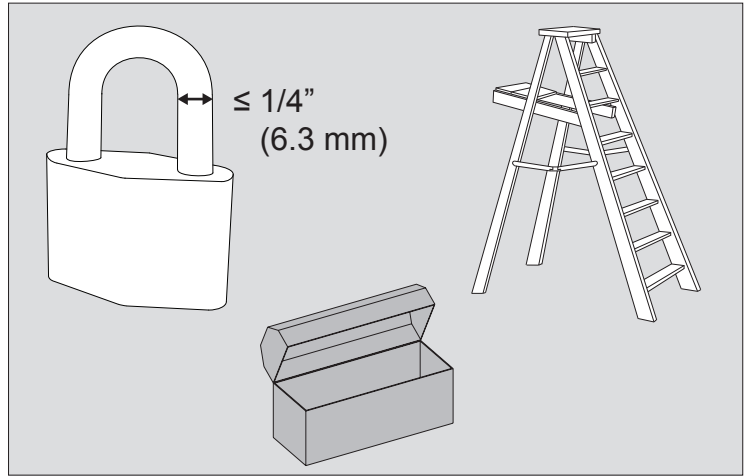
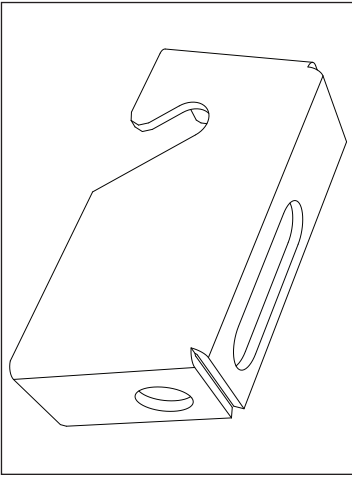


Installation Instructions for Unifi 45 Projector Locks (20-00995-20)



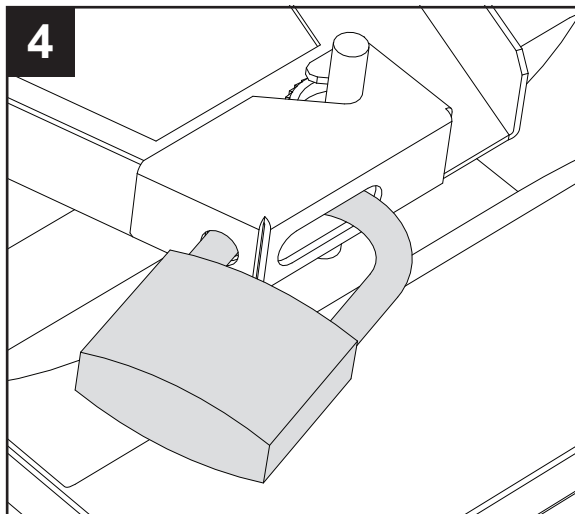
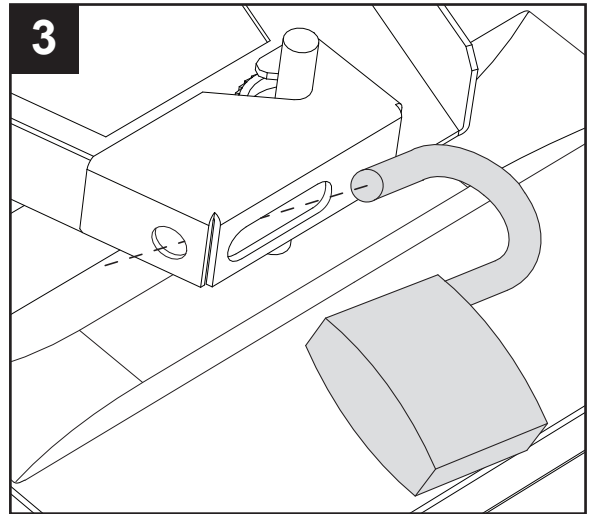
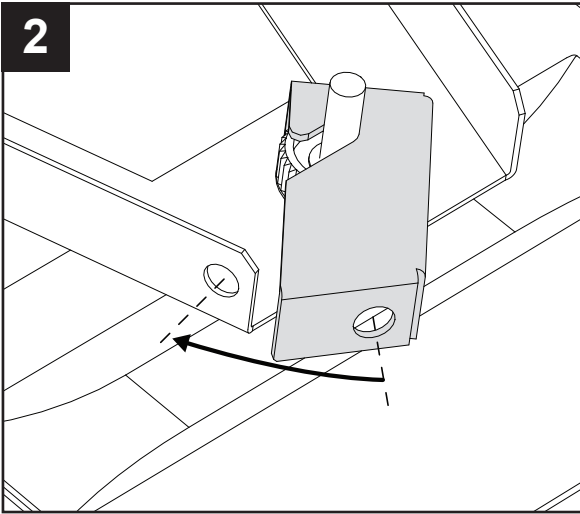
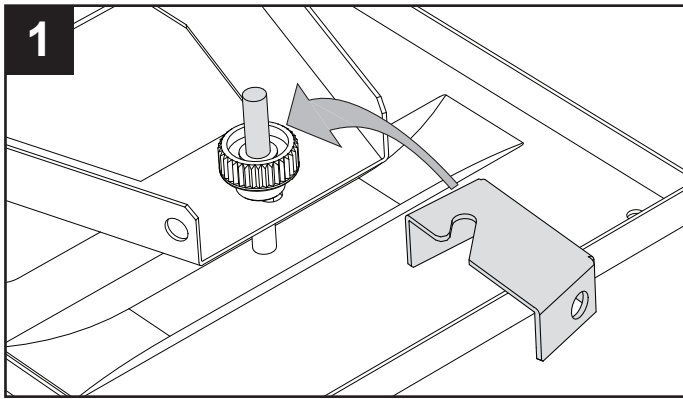
www.smarttech.com/support www.smarttech.com/contactsupport
Support +1.403.228.5940 or Toll Free 1.866.518.6791 (U.S./Canada)

© 2008 SMART Technologies ULC. All rights reserved. The SMART logo, Unifi and smarttech are trademarks or registered trademarks of SMART Technologies ULC in the U.S. and/or other countries. All other third-party product and company names may be trademarks of their respective owners. Patent No. US6540366. Other patents pending.

Contents are subject to change without notice. 07/2008.

SMART
Technologies

99-00906-20 REV A0



Cautions, warnings and other important product information are contained in the SMART Multi-language Warnings Document, document [124023](http://www.smarttech.com/support) at www.smarttech.com/support.