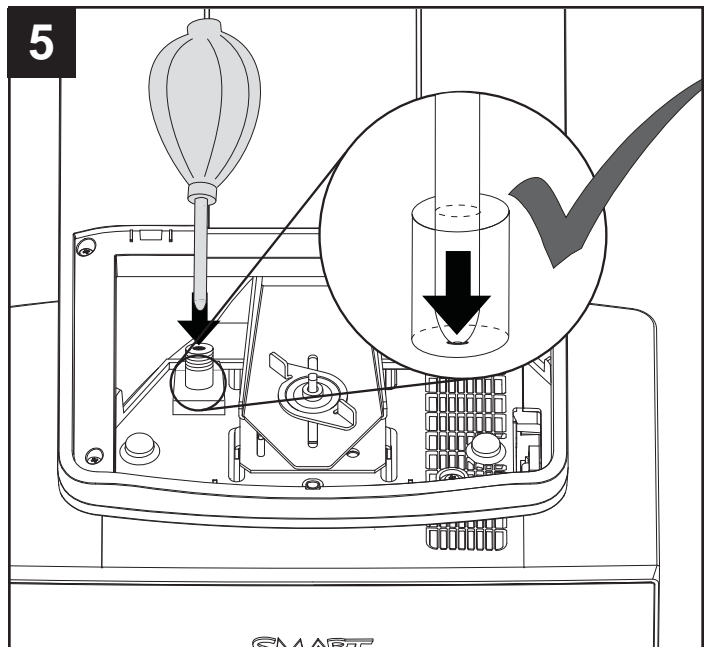
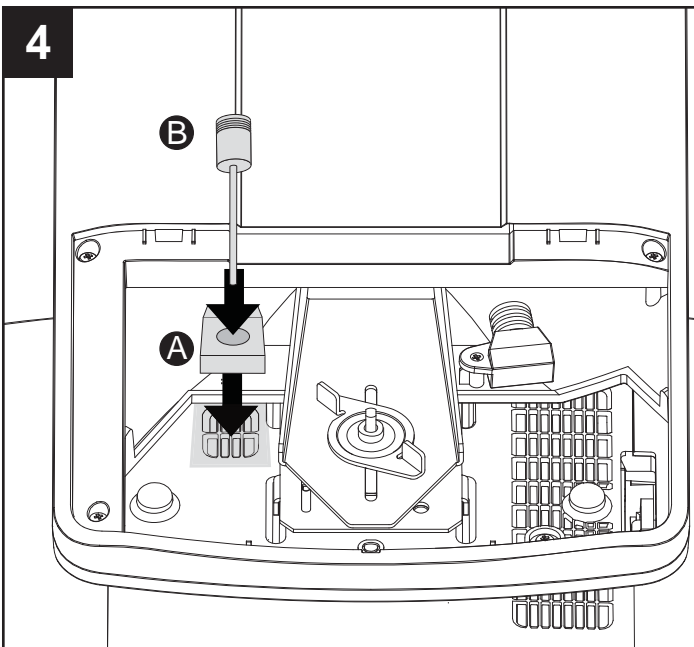
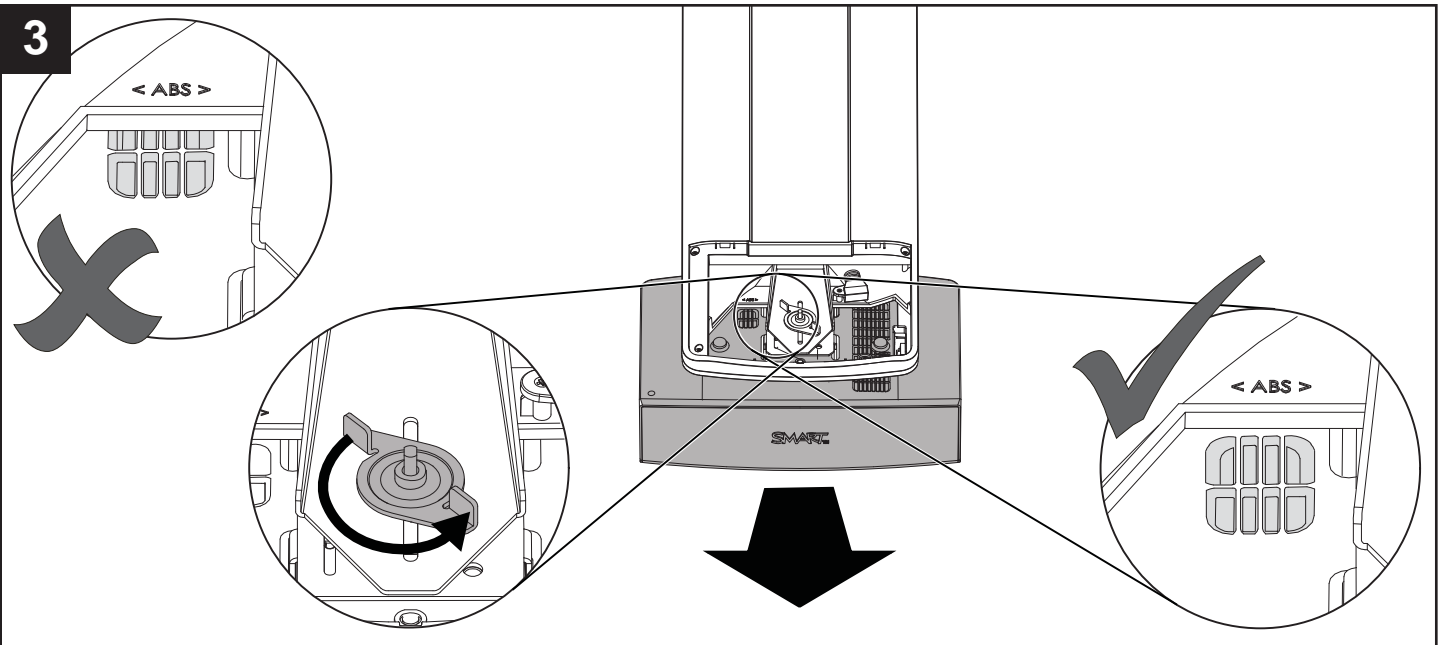
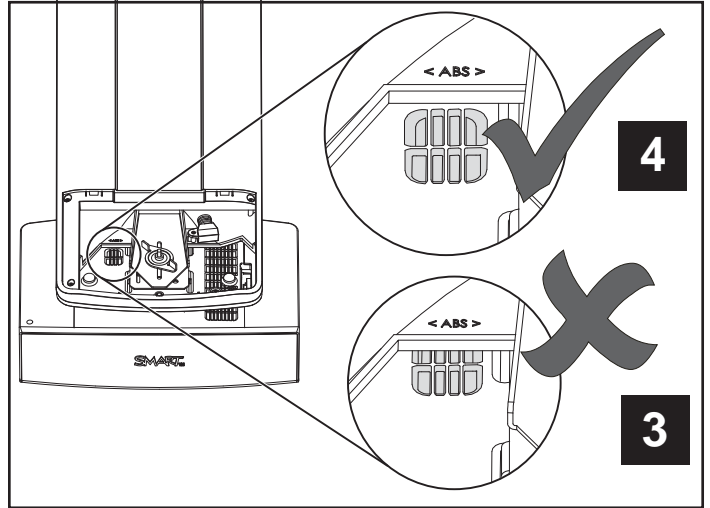
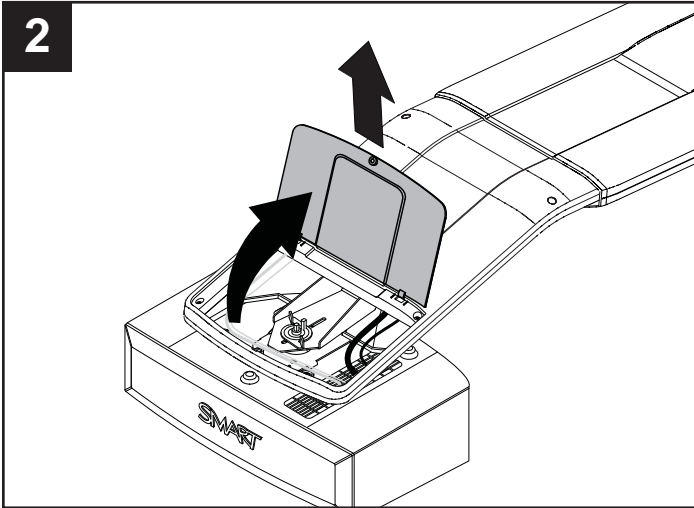
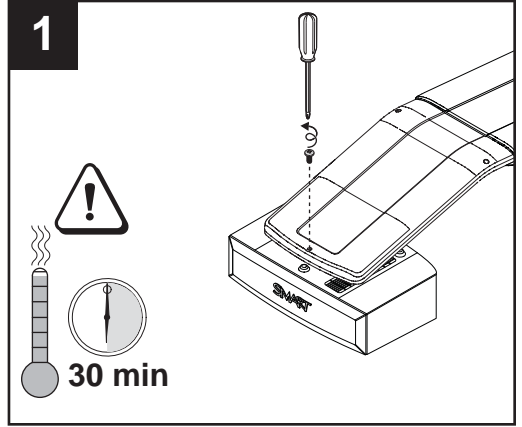
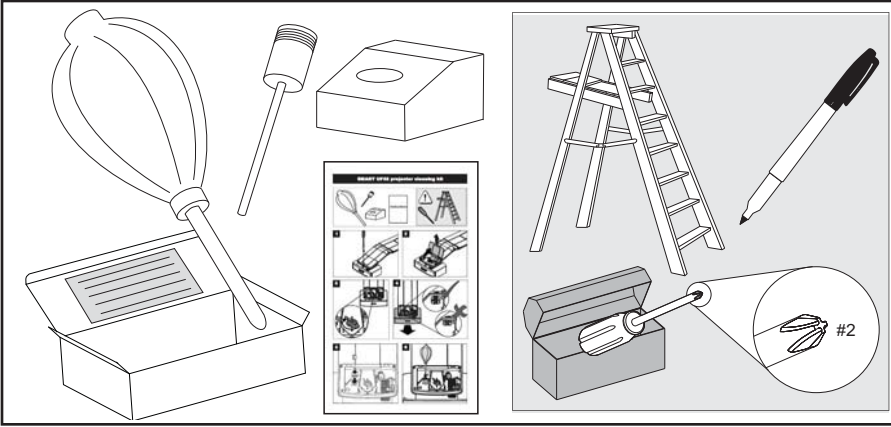
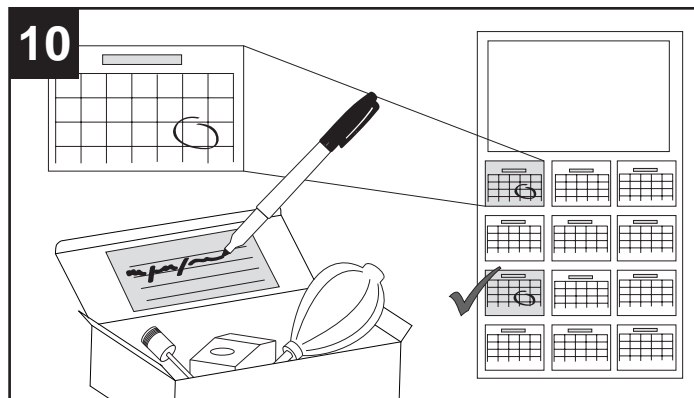
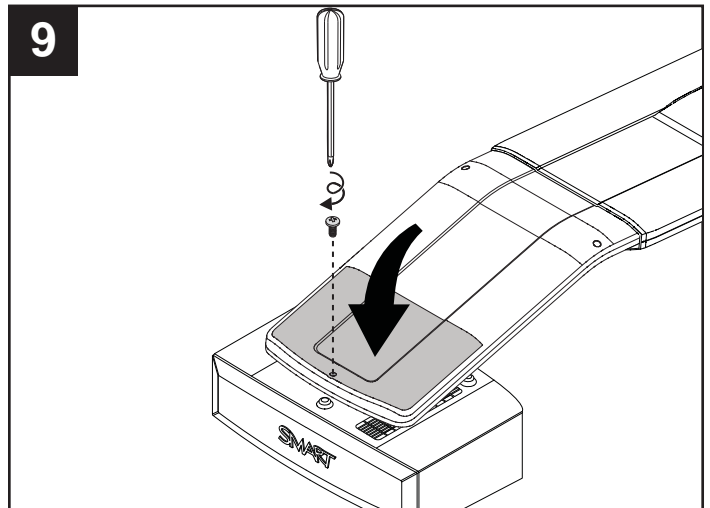
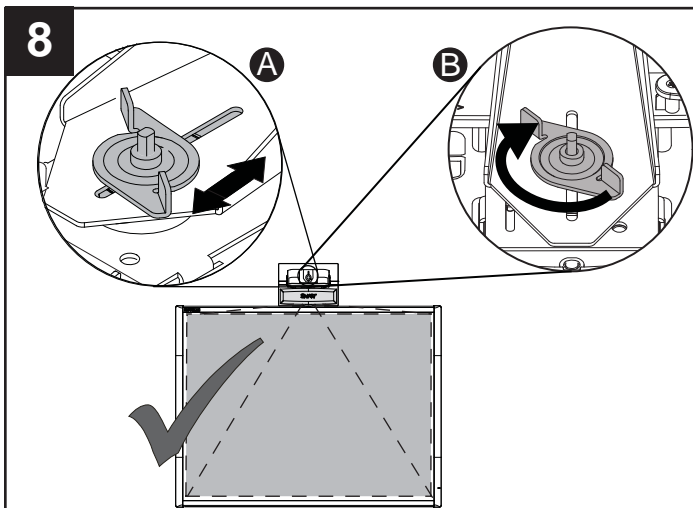
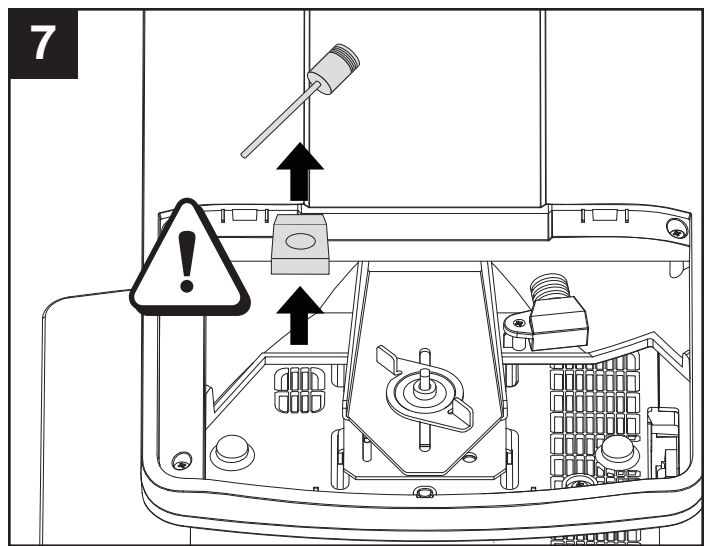
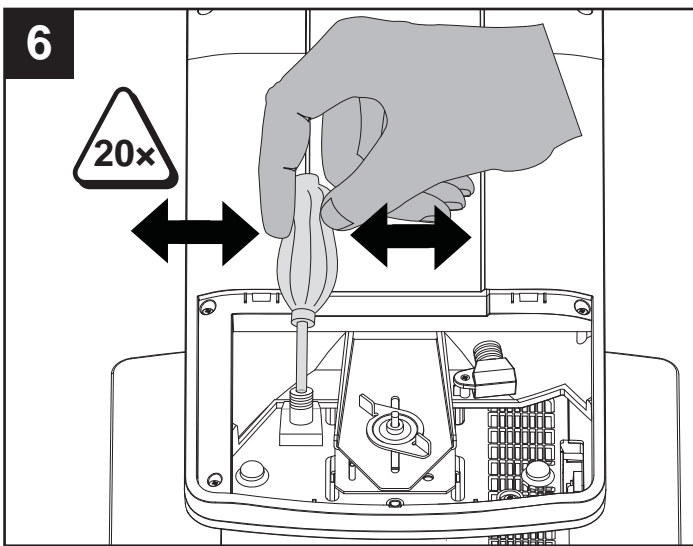


# Projector quick clean kit





### Hardware environmental compliance

SMART Technologies supports global efforts to ensure that electronic equipment is manufactured, sold and disposed of in a safe and environmentally friendly manner.

#### Waste Electrical and Electronic Equipment regulations (WEEE directive)



Waste Electrical and Electronic Equipment regulations apply to all electrical and electronic equipment sold within the European Union. When you dispose of any electrical or electronic equipment, including SMART Technologies products, we strongly encourage you to properly recycle the electronic product when it has reached its end of life. If you require further information, please contact your reseller or SMART

Technologies for information on which recycling agency to contact.

#### Restriction of Certain Hazardous Substances (RoHS directive)

This product meets the requirements of the European Union's Restriction of Certain Hazardous Substances (RoHS) Directive 2002/95/EC.

Consequently, this product also complies with other regulations that have arisen in various geographical areas, and that reference the European Union's RoHS directive.

#### Packaging

Many countries have regulations restricting the use of certain heavy metals in product packaging. The packaging used by SMART Technologies to ship products complies with applicable packaging laws.

#### China's Electronic Information Products regulations

China regulates products that are classified as Electronic Information Products (EIP). SMART Technologies products fall under this classification and meet the requirements for China's EIP regulations.

#### U.S. Consumer Product Safety Improvement Act

The United States has enacted the *Consumer Product Safety Improvement Act* which limits the lead (Pb) content in products used by children. SMART Technologies is committed to complying with this initiative.



[www.smarttech.com/support](http://www.smarttech.com/support)  
[www.smarttech.com/contactsupport](http://www.smarttech.com/contactsupport)

**SMART**<sup>TM</sup>

© 2011 SMART Technologies ULC. All rights reserved. The SMART logo and smarttech are trademarks or registered trademarks of SMART Technologies ULC in the U.S. and/or other countries. All other third-party product and company names may be trademarks of their respective owners. 05/2011.

99-01199-20 A0