

## Specifications

# SMART Board™ interactive whiteboard system

## Model SBD685i4

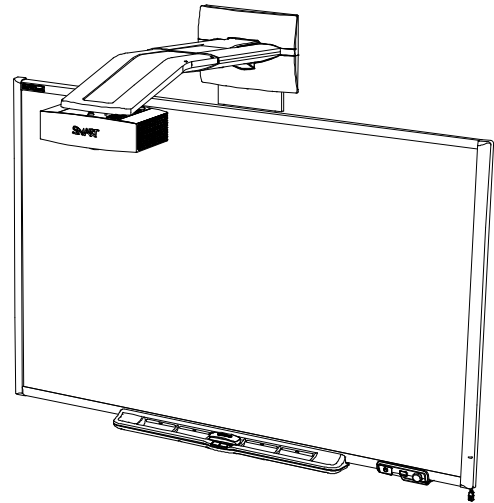
### Physical specifications

#### SMART Board™ D685 interactive whiteboard

<b>Size</b>	77 1/2" W × 49 1/2" H × 5 1/8" D (196.9 cm × 125.7 cm × 13 cm)
<b>Active screen area</b> (maximum interactive, projected image)	74" W × 46 1/8" H (188 cm × 117.2 cm) 87 1/8" (221.3 cm) diagonal, 16:10 aspect ratio
<b>Weight</b>	42 lb. (19.1 kg)
<b>Shipping size</b>	54" W × 86 1/4" H × 5 1/2" D (137.2 cm × 219.1 cm × 14 cm)
<b>Shipping weight</b>	63 lb. (28.6 kg)

#### SMART UF65w projector system

<b>Total size</b>	18 1/2" W × 15 1/2" H × 50 1/4" D (47 cm × 39.4 cm × 127.6 cm)
<b>Remote control</b>	1 5/8" W × 3 3/8" H × 1/4" D (4 cm × 8.6 cm × 0.7 cm)
<b>Extended control panel</b>	6" W × 2 5/8" H × 2 1/4" D (15.2 cm × 6.6 cm × 5.8 cm)
<b>Weight</b>	13 lb. 8 oz. (6.1 kg)
<b>Shipping size</b>	
Projector boom box	9 1/2" W × 16" H × 39 3/4" D (24.9 cm × 40.6 cm × 101 cm)
Projector box	15 1/4" W × 8 5/16" H × 18 1/2" D (38.7 cm × 21.1 cm × 47 cm)
ECP box	9 3/8" W × 5" H × 10 3/8" D (23.8 cm × 12.8 cm × 26.3 cm)
<b>Shipping weight</b>	
Projector boom box	24 lb. 4 oz. (11 kg)
Projector box	11 lb. (5 kg)
ECP box	2 lb. 13 oz. (1.3 kg)



All dimensions +/- 1/8" (0.3 cm). All weights +/- 2 lb. (0.9 kg).

Extraordinary made simple™

**SMART**™

## Standard features

<b>Software</b>	Includes SMART Notebook™ collaborative learning software. See the <a href="#">SMART Notebook software specifications</a> for a complete list of system requirements. Software upgrades are available from <a href="http://smarttech.com/software">smarttech.com/software</a> .
<b>Environmental compliance</b>	China EIP, EU WEEE, CPSIA, US CPSIA, Packaging, Batteries and EU RoHS
<b>Regulatory certification</b>	CSA (U.S./Canada), CB, CE, FCC and C-Tick
<b>Warranty</b>	The projector and extended control panel (ECP) have a three-year limited equipment warranty. The SMART UF65w projector lamp has a 1000 hour/one-year warranty. Your interactive whiteboard has a two-year limited equipment warranty or a five-year limited equipment warranty upon registration. See included warranty documents for details.
<b>Cables</b>	Includes the necessary cables to connect the projector to the ECP. However, you must supply the appropriate input cables for your additional computers and devices.

## Interactive whiteboard features

<b>Dual touch/dual write</b>	Enables two users to work simultaneously in SMART Notebook software
<b>Pen tray</b>	Optical sensors in the pen tray detect when you lift one or two pens, or the eraser, from the tray. LEDs indicate the active tools.
<b>Pens and eraser</b>	Black, red, green and blue pens and a rectangular eraser
<b>Resolution</b>	Touch resolution is approximately 4000 × 4000.
<b>Screen surface</b>	The hard-coated surface is tear proof, optimized for projection, compatible with dry-erase markers and cleans easily with whiteboard cleaner.
<b>Digitizing technology</b>	Resistive technology
<b>Frame finish</b>	Dark gray (approximates Pantone® Charcoal Gray 18-0601 TPX) and Ultrasonic Chrome (approximates Cool Gray 7)
<b>Wall-mount bracket</b>	Includes two 32" (81.3 cm) wide brackets, 10 screws and 10 drywall anchors to support your wall-mounted interactive whiteboard
<b>Projector mounting template</b>	This template ensures simple installation and accurate alignment between the SMART UF65w projector and your SMART Board D685 interactive whiteboard.
<b>Installation instructions</b>	The installation instructions for your SMART Board 685i4 interactive whiteboard system are included in the SMART UF65w projector boom box. Don't use the installation instructions included in your SMART Board interactive whiteboard box when installing the SMART Board 685i4 interactive whiteboard system. Additional documentation is available on the <a href="#">SMART Support website</a> .
<b>Theft prevention</b>	Pen tray locking feature and Kensington® security slot on the pen tray

## SMART UF65w projector system features

<b>System components</b>	SMART UF65w projector, boom mount with a limit strap (including a controlled-collapse feature), ECP, remote control and all necessary input cables from the ECP to the projector
<b>Image adjustment</b>	The mounting boom includes three mechanical adjustments for aligning the projector image with your interactive whiteboard. The projector also has a focus lever and a digital on-screen menu for brightness, contrast and other image-related attributes.
<b>Display type</b>	WXGA 1280 × 800 projector
<b>3D technology</b>	3D-ready projector using DLP® Link™ technology
<b>Display technology</b>	The projection engine uses DLP® technology by Texas Instruments™, providing BrilliantColor™ performance and quality Gamma 2.2 correction with Bright Room, Dark Room, sRGB, User and SMART Presentation modes.
<b>Brightness</b>	Estimated at 2000 lumens (typical) at a CCT of 6500 K by the IEC method
<b>Lamp life</b>	3000 hours (Standard 200 W mode) or 5000 hours (Economy 160 W mode)
<b>Aspect ratio</b>	Support for 16:9, 16:10 and 5:4 ratios
<b>Contrast ratio</b>	2000:1
<b>Video system compatibility</b>	NTSC, NTSC 4.43, PAL, PAL-N, PAL-M and SECAM
<b>Video interface compatibility</b>	Composite, S-video, and VESA RGB, with additional interface support for Component YPbPr and Component YCbCR inputs with the proper adapters (not included)
<b>Video format compatibility</b>	Native 16:10 aspect ratio XGA projector resolution. With scaling, supports VGA, SVGA, SXGA, Quad VGA, SXGA+ and UXGA formats.
<b>Synchronization</b>	Auto image synchronization (auto tracking, frequency, position adjustment, source detect and phase detect)
<b>Mounting hardware</b>	Includes hardware for mounting the SMART UF65w projector to framed and solid walls. Includes a safety tether and limit strap.
<b>Input/output connections</b>	<ul style="list-style-type: none"><li>• Two HD DB15F connectors – RGB video input from two computers via VGA connectors</li><li>• HD DB15F connector – video output pass-through of Video Input 1 signal</li><li>• 4-pin mini-DIN connector – S-video input</li><li>• One pair of audio jacks (RCA, stereo) – reserved for use with S-video</li><li>• Composite video connector – RCA-style video input</li><li>• One pair of audio jacks (RCA, stereo) – reserved for use with composite video</li><li>• Two 3.5 mm stereo jacks – audio input from two computers</li><li>• 3.5 mm stereo jack – audio output to connect speakers</li><li>• RJ45 – network connection for SNMP management and control, and for sending e-mail alerts</li></ul>

	<ul style="list-style-type: none"><li>• 4-pin power mini-DIN 5V 2A connector (reserved for ECP harness cable)</li><li>• 7-pin mini-DIN connector (reserved for ECP harness cable)</li></ul>
<b>Projector fan</b>	<ul style="list-style-type: none"><li>• Standard speed – 0 to 6000' (0 m to 1829 m): 41°F to 95°F (5°C to 35°C)</li><li>• High speed – 6000' to 6800' (1829 m to 2073 m): 41°F to 86°F (5°C to 30°C)</li></ul>
<b>Projector noise</b>	36 dBA (high fan speed) or 31dBA (standard fan speed), measured using JIS method
<b>Power requirements</b>	100V AC to 240V AC, at 50 Hz to 60 Hz
<b>Power cable</b>	Includes a 14' 9" (4.5 m) power cable
<b>External control</b>	The RS-232 connector is configured to accept control codes from your computer or a room control system.
<b>Power consumption</b>	270 W in High Brightness. 225 W in Economy mode. <5 W in Standby mode.
<b>Remote control</b>	Provides an alternative method of controlling the SMART UF65w projector settings
<b>Theft protection</b>	The SMART UF65w projector system features an optional padlocked ring to prevent theft. A Kensington security slot is provided to affix the system to a wall as a visual and physical theft deterrent.

### Extended control panel (ECP) features

<b>Input/output connections</b>	<ul style="list-style-type: none"><li>• Three USB A receptacles for peripheral devices: two on the back and one on the front</li><li>• Three RCA jacks (composite video input) and associated audio input</li><li>• DB15-M socket (ECP harness cable only)</li><li>• USB B receptacle (secondary computer)</li><li>• RJ11 6-wire jack for SC9 connector cable when using the system with a SMART Hub SE240</li><li>• USB B receptacle (primary computer)</li><li>• USB A receptacle (SMART Board interactive whiteboard only)</li></ul>
<b>Volume control</b>	Controls sound range
<b>Power button</b>	Turns the projector on and off
<b>Input selection buttons</b>	Selects the projector video and audio inputs through the available input sources: VGA1, VGA2, Composite and S-video. The USB Hub supports dual computer switching.

## Storage and operating specifications

- Storage**
- Maximum storage temperature: 122°F (50°C)
  - Minimum storage temperature: -40°F (-40°C)
- Operation**
- Using standard fan speed, 41°F to 95°F (5°C to 35°C) from sea level to an altitude up to 6000' (0 m to 1829 m)
  - Using high fan speed, 41°F to 86°F (5°C to 30°C) from 6000' to 6800' (1829 m to 2073 m)
  - In Service mode, 41°F to 86°F (5°C to 30°C) from 6800' to 9800' (2073 m to 2987 m)

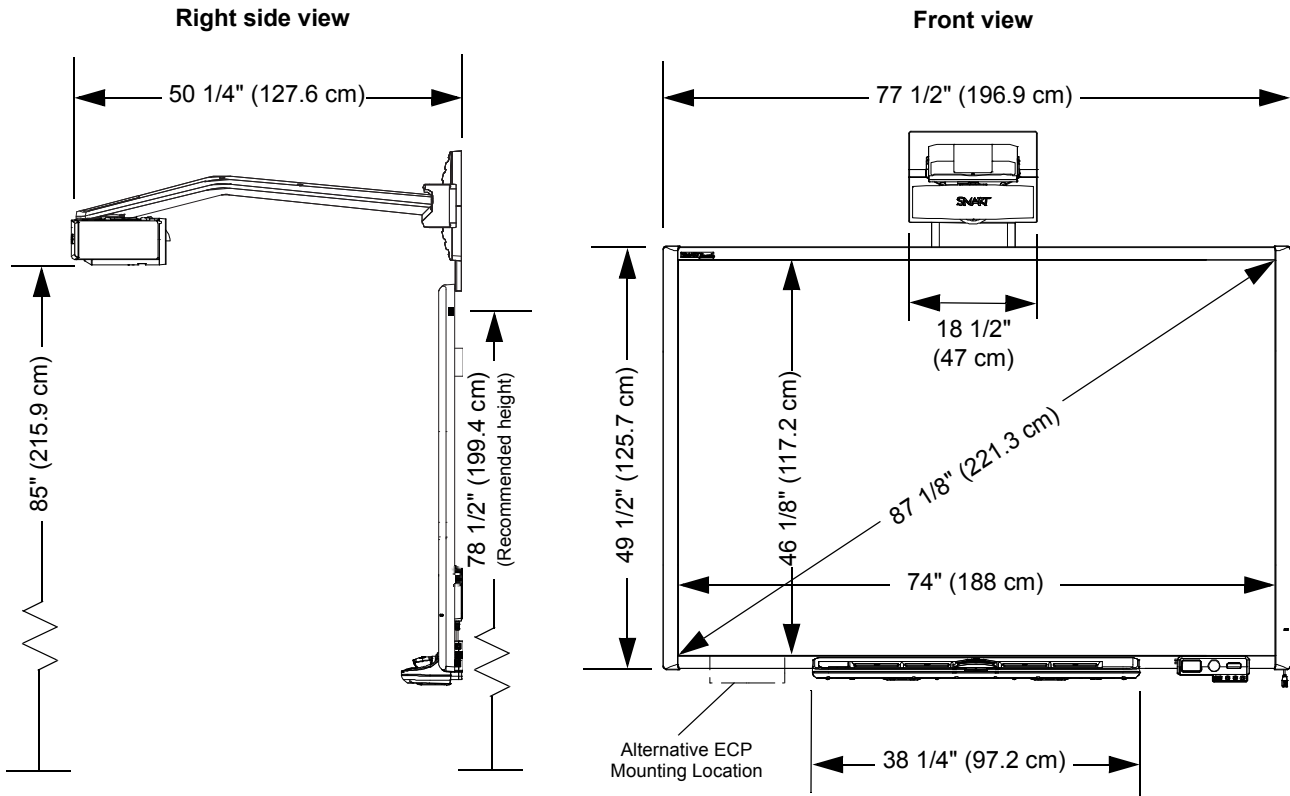
## SMART order numbers

- SBD685i4** 87 1/8" (221.3 cm) diagonal dual-touch SMART Board 685 interactive whiteboard with a SMART UF65w projector system
- 20-01032-20** Replacement projector lamp

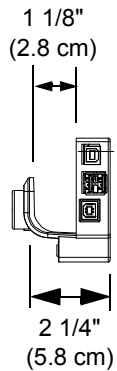
## Optional accessories

- RPEN-ER** Replacement set of four pen tray pens (black, red, green and blue) and a rectangular eraser
- RPEN** Replacement set of four pen tray pens (black, red, green and blue)
- SBA-L** Projection Audio System for the SMART Board 600i4 interactive whiteboard system
- WC6D** Wireless Bluetooth® Connection for SMART Board 600 and D600 series interactive whiteboards

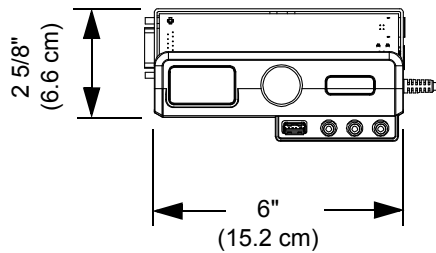
## Physical dimensions



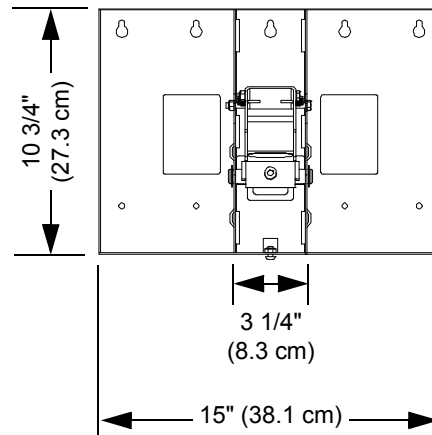
**ECP right side view**



**ECP front view**



**Projector mounting bracket**



[www.smarttech.com/support](http://www.smarttech.com/support) [www.smarttech.com/contactsupport](http://www.smarttech.com/contactsupport)  
Support +1.403.228.5940 or Toll Free 1.866.518.6791 (U.S./Canada)

