

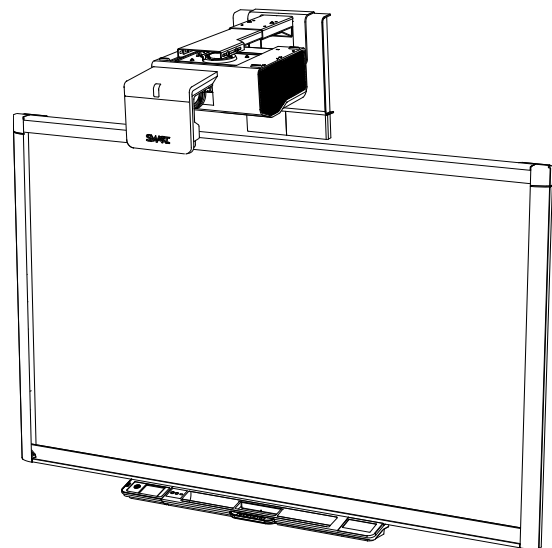
# Specifications

## SMART Board® interactive whiteboard system

### Model 885i5e-SMP

#### SMART Board® 885 interactive whiteboard

Size	78 1/2" W × 53 3/8" H × 6 1/2" D (199.4 cm × 135.6 cm × 16.5 cm)
Active screen area (maximum interactive projected image)	74" W × 46 1/4" H (188 cm × 117.5 cm) 87" (221 cm) diagonal 16:10 aspect ratio
Weight	69 lb. 8 oz. (31.5 kg)
Shipping size	87 3/4" W × 56 1/8" H × 4 3/8" D (222.9 cm × 142.6 cm × 11.1 cm)
Shipping weight	100 lb. (45.4 kg)



All dimensions +/- 1/8" (0.3 cm). All weights +/- 2 lb. (0.9 kg).

#### SMART UF75 projector

Projector	14" W × 15 1/2" H × 27" D (35.6 cm × 39.4 cm × 68.6 cm)
Remote control	1 5/8" W × 3 3/8" H × 1/4" D (4 cm × 8.6 cm × 0.7 cm)
Weight	17 lb. (7.7 kg)
Shipping weight	32 lb. (14.5 kg)
Shipping size	20" W × 15 1/2" H × 24" D (50.8 cm × 39.4 cm × 61 cm)

## SPECIFICATIONS

SMART Board interactive whiteboard system – Model 885i5e-SMP

### Standard features

<b>Firmware</b>	The system includes SMART Product Drivers and SMART Meeting Pro™ application, a web browser, a PDF viewer and a Presentation viewer.
<b>Environmental compliance</b>	China EIP, EU WEEE, packaging, batteries and EU RoHS
<b>Regulatory certification</b>	
Appliance	CB (TUV), CE (Australia/New Zealand), CSA (U.S./Canada), NOM, GOST-R, PSE, CCC, and FCC.
Projector	CB (TUV), CCC, CE, C-Tick, FCC, GOST-R, KC, NOM, PSB, PSE, TUV-GS, UL (U.S./Canada) and VCCI
<b>Warranty</b>	The projector and appliance control panel (ACP) have a three-year limited equipment warranty. The appliance has a two-year limited equipment warranty. The SMART UF75w projector lamp has a 1000 hour/one-year warranty. Your interactive whiteboard has a two-year limited equipment warranty or a five-year limited equipment warranty upon registration. See warranty documents for details.
<b>Power consumption</b>	
Interactive whiteboard with appliance	30 W when operating, less than 1 W in Standby mode (appliance is off, ACP in Standby mode) in accordance with EuP regulations
Projector	301 W when operating, less than 0.5 W in Standby mode in accordance with EuP regulations
<b>Cables</b>	The following cables are included: <ul style="list-style-type: none"><li>• The necessary cables to connect the projector to the ACP and the appliance, and to connect the appliance and the power supply to the ACP.</li><li>• An SBX800 CAT5-XT USB extender which enables you to connect your interactive whiteboard pen tray to a guest computer up to 50' (15 m) away using a Cat 5, Cat 5e or Cat 6 cable (not included). For more information, see <a href="http://smarttech.com/kb/154489">smarttech.com/kb/154489</a>.</li></ul>
<b>SMART GoWire™ auto-launch cable</b>	Includes SMART Product Drivers and SMART Meeting Pro software, which enables you to connect a laptop. SMART Meeting Pro software starts after you connect your SMART GoWire cable and then select the start SMART Meeting Pro option from the <i>AutoPlay</i> dialog box.

## SPECIFICATIONS

SMART Board interactive whiteboard system – Model 885i5e-SMP

### Interactive whiteboard features

**Touch and gestures** Perform mouse functions with your finger, and write and erase digital ink with a pen tray pen or the eraser. The Object Awareness feature enables you to pick up a pen, and then write, select or erase without replacing the pen. This interactive whiteboard also features gesture capability, providing a natural and flexible way to interact with content.

**Multitouch capabilities** Users can interact with the interactive whiteboard using the included pens or other objects, or by using their fingers to write and perform gestures.

The following multitouch capabilities are available:

System	Multitouch capability
SB885ie-SMP	Support for four simultaneous touches enables up to four users to interact with the interactive whiteboard.
SB885ie-SMP	Support for two simultaneous touches enables up to two users to interact with the interactive whiteboard.

**Pen tray** Optical sensors in the pen tray detect when you lift a pen or eraser from the tray. Color buttons on the pen tray enable you to select pen color.

**Appliance control panel (ACP)** The removable ACP is attached to the left side of the pen tray. It features an LCD touch screen and a power button that displays the status of the LCD touch screen. The LCD touch screen provides task and settings selection, video and audio control and room control. The ACP also features a USB A receptacle for USB drives.

**Pen and eraser** Two ergonomic pens with a comfort grip and a rectangular eraser

**Resolution** Touch resolution is approximately 4000 × 4000.

**Screen surface** The hard-coated steel surface is durable, optimized for projection, compatible with dry-erase markers and easily cleaned.

**Digitizing technology** Four-camera DViT® (Digital Vision Touch) technology

**Frame finish** Two-tone gray (Dark gray approximates PANTONE® Charcoal Gray 18-0601 TPX. Light gray approximates PANTONE Cool Gray 6C.)

**Wall-mount bracket** Two 32" (81.3 cm) wide brackets with 10 screws and toggle bolt anchors to support a wall-mounted interactive whiteboard

**Computer connection** The following computer connection methods are available:

System	Connection method
SB885ie-SMP	An SBX800 CAT5-XT USB extender to guest computer is included.

## SPECIFICATIONS

SMART Board interactive whiteboard system – Model 885i5e-SMP

**Power requirements** Obtains power from the projector from the ACP.

### SMART UF75 projector features

**System components** SMART UF75w projector, wall mount, ACP, remote control and all input cables necessary to connect the ACP to the projector

**Image adjustment** The wall mount includes mechanical adjustments for aligning the projector image with the interactive whiteboard. The projector also has a focus lever and an on-screen menu for adjusting brightness, contrast and other image-related attributes.

**Display type** WXGA 1280 × 800

**Display technology** The projection engine uses DLP® technology by Texas Instruments™, providing BrilliantColor™ performance and quality Gamma 2.2 correction with Bright Room, Dark Room, sRGB, User and SMART Presentation modes.

**3D technology** 3D-ready projector using DLP Link™ technology

**Brightness** Estimated at 2500 lumens (typical) in Standard 230 W mode at a CCT of 6500 K by the IEC method. Estimated at 1875 lumens in Economy 190 W mode.

**Lamp life** 2500 hours in Standard 230 W mode. 4000 hours in Economy 190 W mode.

**Aspect ratio** 16:10 with support for 16:9, and 4:3 and 5:4 ratio with scaling.

**Contrast ratio** 2900:1

**Video system compatibility** NTSC, NTSC 4:43, PAL, PAL-N, PAL-M and SECAM

**Video interface compatibility** HDCP compliant HDMI, Composite, S-video, VESA® RGB with additional interface support for Component YPbPr and Component YCbCr inputs with the proper adapters (not included)

**Video format compatibility** The projector has a native 16:10 aspect ratio WXGA resolution and supports VGA, SVGA, SXGA, Quad VGA, SXGA+ and UXGA formats with scaling.

**Synchronization** Auto image synchronization (auto tracking, frequency, position adjustment, source detect and phase detect)

**Mounting hardware** Includes hardware for mounting the projector to framed and solid walls. Also includes a safety tether.

**Projector mounting template** The template ensures simple installation and accurate alignment between the projector and your interactive whiteboard.

## SPECIFICATIONS

SMART Board interactive whiteboard system – Model 885i5e-SMP

<b>Input/output connections</b>	<b>Connector</b>	<b>Connects to</b>
	Power	Main power source
	4-pin power mini-DIN 5V/2A output	[Not used]
	7-pin mini-DIN	[Not used]
	DB9 RS-232	ACP harness cable
	DB15F RGB video input (VGA 1)	Appliance
	DB15F RGB video input (VGA 2)	Secondary computer (cable not included)
	3.5 mm phone jack audio input (×2)	Y cable
	DB15F RGB video output (VGA Out)	Secondary display (cable not included)
	3.5 mm phone jack audio output	External audio system (cable not included)
	RCA composite video input (and left and right RCA audio input)	Video and audio source (cable not included)
	4-pin mini-DIN S-video input (and left and right RCA audio input)	Video and audio source (cable not included)
	HDMI input	High-definition audio/video source (cable not included)
	RJ45	Network (for web page management and SNMP access, cable not included)
	USB B	Computer (for service access only, cable not included)
<b>Projector fan operating temperatures</b>		<ul style="list-style-type: none"><li>• Standard speed: 41°F to 95°F (5°C to 35°C) from 0' to 6000' (0 m to 1800 m)</li><li>• High speed: 41°F to 86°F (5°C to 30°C) from 6000' to 6800' (1800 m to 2100 m)</li></ul>
<b>Projector noise</b>		36 dBA at high speed and 31 dBA at standard speed, measured using the JIS method
<b>Power requirements</b>		100V–240V AC at 50 Hz–60 Hz
<b>Power cable</b>		Includes a 14' 9" (4.5 m) power cable
<b>External control</b>		Both serial (via RS-232) and SNMP (via Ethernet) control are supported. The RS-232 control connector is configured to accept codes from your computer or an optional room control system.
<b>Remote control</b>		An alternative method of controlling the projector and adjusting the projector settings

## SPECIFICATIONS

SMART Board interactive whiteboard system – Model 885i5e-SMP

**Theft protection** Keep your remote control in a safe place because the ACP is not a substitute for the remote control.

The projector system features an optional padlock ring to prevent theft. You can use the Kensington® security slot to affix the system to a wall as a visual and physical theft deterrent.

### ACP features

<b>Input/output connections</b>	<b>Connector</b>	<b>Connects to</b>
	RJ11 6-wire	Pen tray
	USB B	Pen tray
	15-pin	ACP cable harness
	Mini USB B	Appliance using the included cable
	Mini USB B	Not used (harness cable not included)
	USB A	Used for USB memory keys for appliance only
	2.5 mm male barrel connector (DC-in)	Power supply
	2.0 mm male barrel connector (DC-out)	Appliance

**Volume control** The LCD touch screen provides a means of controlling the volume.

**Power button** Turns the interactive whiteboard and projector on and off.

**Input selection** The LCD touch screen provides a means of selecting the projector video and audio inputs.

## SPECIFICATIONS

SMART Board interactive whiteboard system – Model 885i5e-SMP

### Storage and operating specifications

- |                  |  |
|------------------|--|
| <b>Storage</b>   | <ul style="list-style-type: none"><li>• Maximum storage temperature: 122°F (50°C) with up to 80% humidity, non-condensing</li><li>• Minimum storage temperature: -40°F (-40°C) with up to 80% humidity, non-condensing</li></ul>   |
| <b>Operation</b> | <ul style="list-style-type: none"><li>• At standard fan speed: 41°F to 95°F (5°C to 35°C) from 0' to 6000' (0 m to 1800 m)</li><li>• At high fan speed: 41°F to 86°F (5°C to 30°C) from 6000' to 6800' (1800 m to 2100 m)</li><li>• In Service mode: 41°F to 86°F (5°C to 30°C) from 6800' to 9800' (2100 m to 3000 m)</li></ul> |

### SMART order numbers

- |                     |   |
|---------------------|---|
| <b>SB885i5e-SMP</b> | SMART Board 885i5e-SMP interactive whiteboard system with appliance and an SBX800 CAT5-XT USB extender. |
| <b>20-01501-20</b>  | Lamp module replacement kit for SMART UF75 and SMART UF75w projectors                                   |

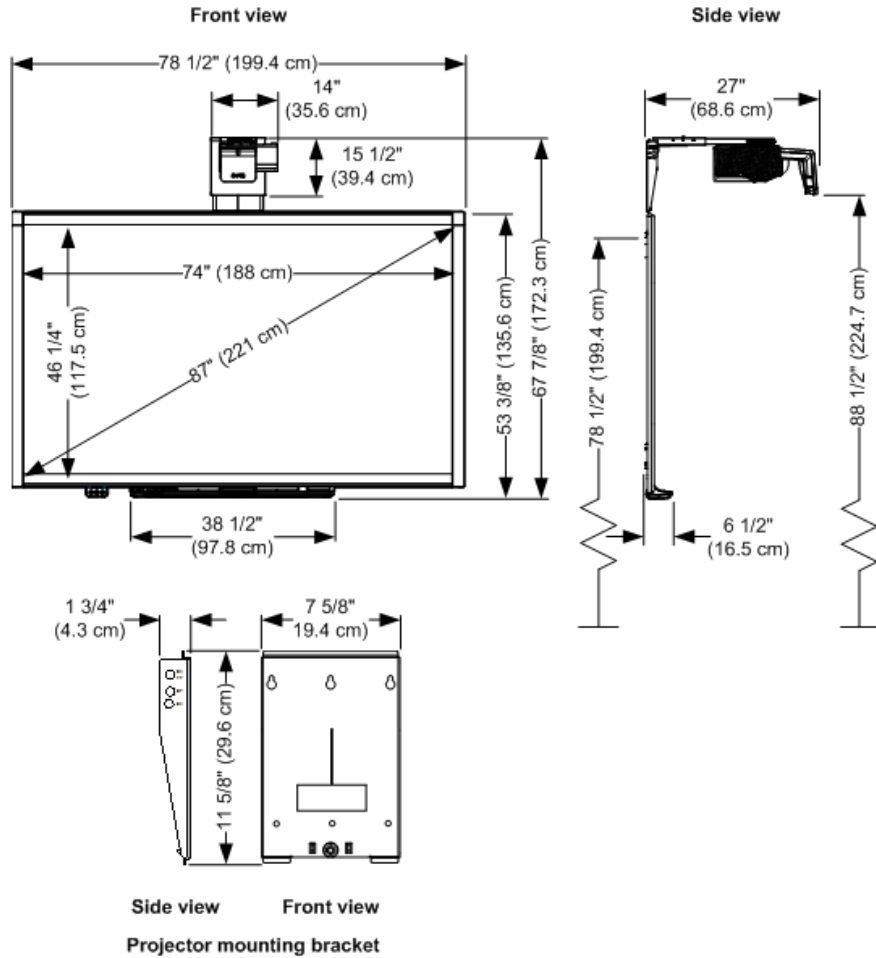
### Optional accessories

For more information on additional accessories for your SMART Board 885i5 interactive whiteboard system, see [smarttech.com/accessories](http://smarttech.com/accessories).

## SPECIFICATIONS

SMART Board interactive whiteboard system – Model 885i5e-SMP

### Physical dimensions



[smarttech.com/support](http://smarttech.com/support)  
[smarttech.com/contactsupport](http://smarttech.com/contactsupport)

© 2012–2013 SMART Technologies ULC. All rights reserved. SMART Board, SMART GoWire SMART Meeting Pro, DVIT, smarttech, the SMART logo and all SMART taglines are trademarks or registered trademarks of SMART Technologies ULC in the U.S. and/or other countries. BrilliantColor DLP, DLP Link, and Texas Instruments are trademarks of Texas Instruments. All third-party product and company names may be trademarks of their respective owners. This product and/or use thereof covered by one or more of the following patents. [www.smarttech.com/patents](http://www.smarttech.com/patents). Contents are subject to change without notice. 07/2013.