

# Specifications

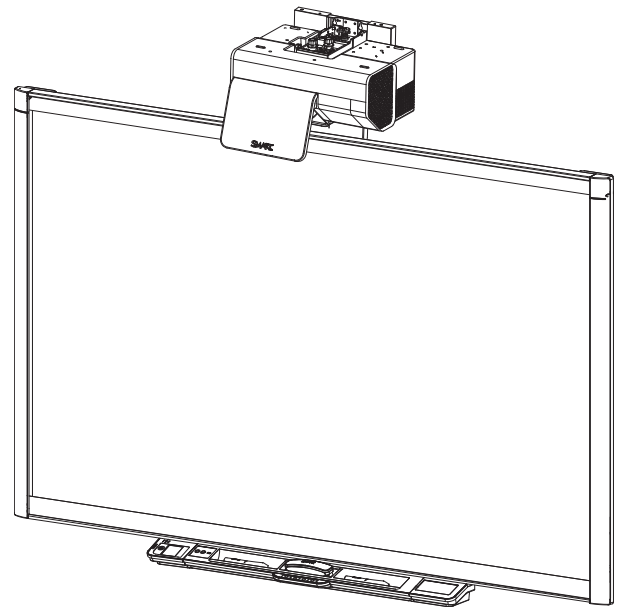
## SMART Board® interactive whiteboard system

### Model SB885ixe-SMP

#### Physical specifications

##### SMART Board 885 interactive whiteboard

Size	78 1/2" W × 53 3/8" H × 6 1/2" D (199.4 cm × 135.6 cm × 16.5 cm)
Active screen area (maximum interactive projected image)	74" W × 46 1/4" H (188 cm × 117.5 cm) 87" (221 cm) diagonal 16:10 aspect ratio
Weight	69 lb. 8 oz. (31.5 kg)
Shipping size	87 3/4" W × 56 1/8" H × 4 3/8" D (222.9 cm × 142.6 cm × 11.1 cm)
Shipping weight	100 lb. (45.4 kg)



All dimensions +/- 1/8" (0.3 cm). All weights +/- 2 lb. (0.9 kg).

##### SMART UX60 projector

Size	17 3/8" W × 10 1/2" H × 16 1/2" D (44.1 cm × 26.7 cm × 41.9 cm)
Remote control	1 5/8" W × 3 3/8" H × 1/4" D (4.1 cm × 8.6 cm × 0.6 cm)
Weight	22 lb. (10 kg)
Shipping weight	38 lb. 6 oz. (17.4 kg)

Extraordinary made simple®

**SMART**®

## SPECIFICATIONS

SMART Board interactive whiteboard system – Model SB885ixe-SMP

Shipping size 18 3/4" W × 18 1/8" H × 22 5/8" D  
(47.6 cm × 46 cm × 57.5 cm)

### Standard features

<b>Firmware</b>	The system includes SMART Product Drivers and the SMART Meeting Pro™ application, a web browser, a PDF viewer and a Presentation viewer.
<b>Environmental compliance</b>	China EIP, EU WEEE, Packaging, Batteries and EU RoHS
<b>Regulatory certification</b>	
Appliance	CB (TUV), CE (Australia/New Zealand), CSA (U.S./Canada), NOM, GOST-R, PSE, CCC, and FCC.
Projector	CB (TUV), CCC, CE, C-Tick, FCC, GOST-R, KC, NOM, PSB, PSE, TUV-GS, UL (U.S./Canada) and VCCI
<b>Warranty</b>	The projector and appliance control panel (ACP) have a three-year limited equipment warranty. The appliance has a two-year limited equipment warranty. The SMART UX60 projector lamp has a 1000 hour/one-year warranty. Your interactive whiteboard has a two-year limited equipment warranty or a five-year limited equipment warranty upon registration. See warranty documents for details.
<b>Power consumption</b>	
Interactive whiteboard with appliance	30 W when operating, less than 1 W in Standby mode (appliance is off, ACP in Standby mode) in accordance with EuP regulations
Projector	310 W when operating in Standard mode, 262 W when operating in Economy mode, less than 1 W in Standby mode in accordance with EuP regulations
<b>Cables</b>	The following cables are included: <ul style="list-style-type: none"><li>• The necessary cables to connect the projector to the ACP and the appliance, and to connect the appliance and the power supply to the ACP.</li><li>• An SBX800 CAT5-XT USB extender which enables you to connect your interactive whiteboard pen tray to a guest computer up to 50' (15 m) away using a Cat 5, Cat 5e or Cat 6 cable (not included). For more information, see <a href="http://smarttech.com/kb/154489">smarttech.com/kb/154489</a>.</li></ul>

## SPECIFICATIONS

SMART Board interactive whiteboard system – Model SB885ixe-SMP

**SMART GoWire™ auto-launch cable** Includes SMART Product Drivers and SMART Meeting Pro software, which enables you to connect a laptop. SMART Meeting Pro software starts after you connect your SMART GoWire cable and then select the start SMART Meeting Pro option from the *AutoPlay* dialog box.

### Interactive whiteboard features

**Touch and gestures** Perform mouse functions with your finger, and write and erase digital ink with a pen tray pen or the eraser. The Object Awareness feature enables you to pick up a pen, and then write, select or erase without replacing the pen. This interactive whiteboard also features gesture capability, providing a natural and flexible way to interact with content.

**Multitouch capabilities** Enables two users to draw simultaneously on the SMART Board® interactive whiteboard surface.

**Pen tray** Optical sensors in the pen tray detect when you lift a pen or eraser from the tray. Color buttons on the pen tray enable you to select pen color.

**Appliance control panel (ACP)** The removable ACP is attached to the left side of the pen tray. It features an LCD touch screen and a power button that displays the status of the LCD touch screen. The LCD touch screen provides task and settings selection, video and audio control and room control. The ACP also features a USB A receptacle for USB drives.

**Pen and eraser** Two ergonomic pens with a comfort grip and a rectangular eraser

**Resolution** Touch resolution is approximately 4000 × 4000.

**Screen surface** The hard-coated steel surface is durable, optimized for projection, compatible with dry-erase markers and easily cleaned.

**Digitizing technology** Four-camera DVIT® (Digital Vision Touch) technology

**Frame finish** Two-tone gray (Dark gray approximates PANTONE® Charcoal Gray 18-0601 TPX. Light gray approximates PANTONE Cool Gray 6C.)

**Wall-mount bracket** Two 32" (81.3 cm) wide brackets with 10 screws and toggle bolt anchors to support a wall-mounted interactive whiteboard

**Computer connection** The following computer connection methods are available:

System	Connection method
SB885ixe-SMP	An SBX800 CAT5-XT USB extender to guest computer is included.

**Power requirements** Obtains power from the projector from the ACP.

## SPECIFICATIONS

SMART Board interactive whiteboard system – Model SB885ixe-SMP

### SMART UX60 projector features

<b>System components</b>	Ultra-short-throw SMART UX60 projector, mounting bracket, remote control and cleaning cloth.
<b>Image adjustment</b>	The adjustment module includes five mechanical adjustments for aligning the projector image with your interactive whiteboard. The projector also has a focus dial and a digital on-screen menu for brightness, contrast and other image attributes.
<b>Display type</b>	WXGA 1280 × 800
<b>Display technology</b>	The projection engine uses single chip DLP® technology by Texas Instruments™, providing BrilliantColor™ performance, High Contrast and Gamma 2.1 correction with Bright Room, Dark Room, sRGB, User and SMART Presentation modes, and a six-segment color wheel.
<b>Brightness</b>	Estimated at 2000 lumens (typical) in Standard 230 W mode at a CCT of 6500 K by the IEC method. Estimated at 1500 lumens in Economy 190 W mode
<b>Lamp life</b>	2500 hours in Standard 230 W mode. 4000 hours in Economy 190 W mode
<b>Aspect ratio</b>	Native 16:10 aspect ratio with support for 16:9, and 5:4 and 4:3 aspect ratios with source image scaling.
<b>Contrast ratio</b>	2000:1
<b>Video system compatibility</b>	HDTV (720p and 1080i) video system compatibility and HD Ready (HDMI technology and 720p) available, NTSC, NTSC 4.43, PAL, PAL-N, PAL-M, SDTV (480i/p and 576i/p) and SECAM
<b>Copy protection</b>	HDCP compliant using the HDMI input connection
<b>Video interface compatibility</b>	VGA (RGB or Component), S-video, Composite video and HDMI
<b>Synchronization</b>	Auto image synchronization (auto tracking, frequency, position adjustment, source detect and phase detect)
<b>Mounting hardware</b>	Includes safety tether and hardware for mounting the SMART UX60 projector on framed, hollow and solid walls.
<b>Projector mounting template</b>	The template ensures simple installation and accurate alignment between the SMART UX60 projector and your SMART Board interactive whiteboard.

## SPECIFICATIONS

SMART Board interactive whiteboard system – Model SB885ixe-SMP

Input/output connections	Connector	Connects to
	Power	Main power source
	3-pin power mini-DIN 5V/1A output	[Not used]
	4-pin power mini-DIN 5V/2A output	(Not used)
	7-pin mini-DIN	(Not used)
	DB9 RS-232F	ACP cable harness
	DB15F RGB video input (VGA 1)	Appliance
	DB15F RGB video input (VGA 2)	Secondary computer (cable not included)
	3.5 mm phone jack audio input (×2)	Y cable
	DB15F RGB video output (VGA Out)	Secondary display (cable not included)
	3.5 mm phone jack audio output (×1)	External audio system (cable not included)
	RCA composite video input (and left and right RCA audio input)	Video and audio source (cable not included)
	4-pin mini-DIN S-video input (and left and right RCA audio input)	Video and audio source (cable not included)
	HDMI input	High-definition audio/video source (cable not included)
	RJ45	Network (For web page management and SNMP access. Cable not included)
	USB B	Computer (For service access only, Cable not included.)
<b>Projector fan operating temperatures</b>	<ul style="list-style-type: none"> <li>Standard speed: 0' to 6000' (0 m to 1800 m): 41°F to 95°F (5°C to 35°C)</li> <li>High speed: 6000' to 6800' (1800 m to 2100 m): 41°F to 86°F (5°C to 30°C)</li> </ul>	
<b>Projector noise</b>	36 dBA at high speed and 31 dBA at standard speed, measured using the JIS method	
<b>Power requirements</b>	100V–240V AC at 50 Hz–60 Hz	
<b>Power cable</b>	Includes a 14' 9" (4.5 m) power cable	
<b>External control</b>	Both serial (via RS-232) and SNMP (via Ethernet) control are supported. The RS-232 control connector is configured to accept codes from your computer or an optional room control system.	
<b>Remote control</b>	Provides the primary method of controlling projector settings	

## SPECIFICATIONS

SMART Board interactive whiteboard system – Model SB885ixe-SMP

**Theft protection** The projector system features optional security screws on the projector plate to safeguard the adjustment knobs, and two optional padlock rings to secure the system to the mounting bracket.

There are no projector menu options on the ACP. Keep your remote control in a safe place because the ACP is not a substitute for the remote control.

A Kensington security slot is provided to secure the SMART Board to a wall as a visual and physical theft deterrent.

### ACP features

Input/output connections	Connector	Connects to
	RJ11 6-wire	Pen tray
	USB B	Pen tray
	15-pin	ACP cable harness
	Mini USB B	Appliance using the included cable
	Mini USB B	Not used (harness cable not included)
	USB A	Used for USB memory keys for appliance only
	2.5 mm male barrel connector (DC-in)	Power supply
	2.0 mm male barrel connector (DC-out)	Appliance

**Volume control** The LCD touch screen provides a means of controlling the volume.

**Power button** Turns the interactive whiteboard and projector on and off.

**Input selection** The LCD touch screen provides a means of selecting the projector video and audio inputs.

### Storage and operating specifications

- Storage**
- Maximum storage temperature: 104°F (40°C)
  - Minimum storage temperature: -4°F (-20°C)

- Operation**
- At standard fan speed: 41°F to 95°F (5°C to 35°C) from 0' to 6000' (0 m to 1800 m)
  - At high fan speed: 41°F to 86°F (5°C to 30°C) from 6000' to 6800' (1800 m to 2100 m)

### SMART order numbers

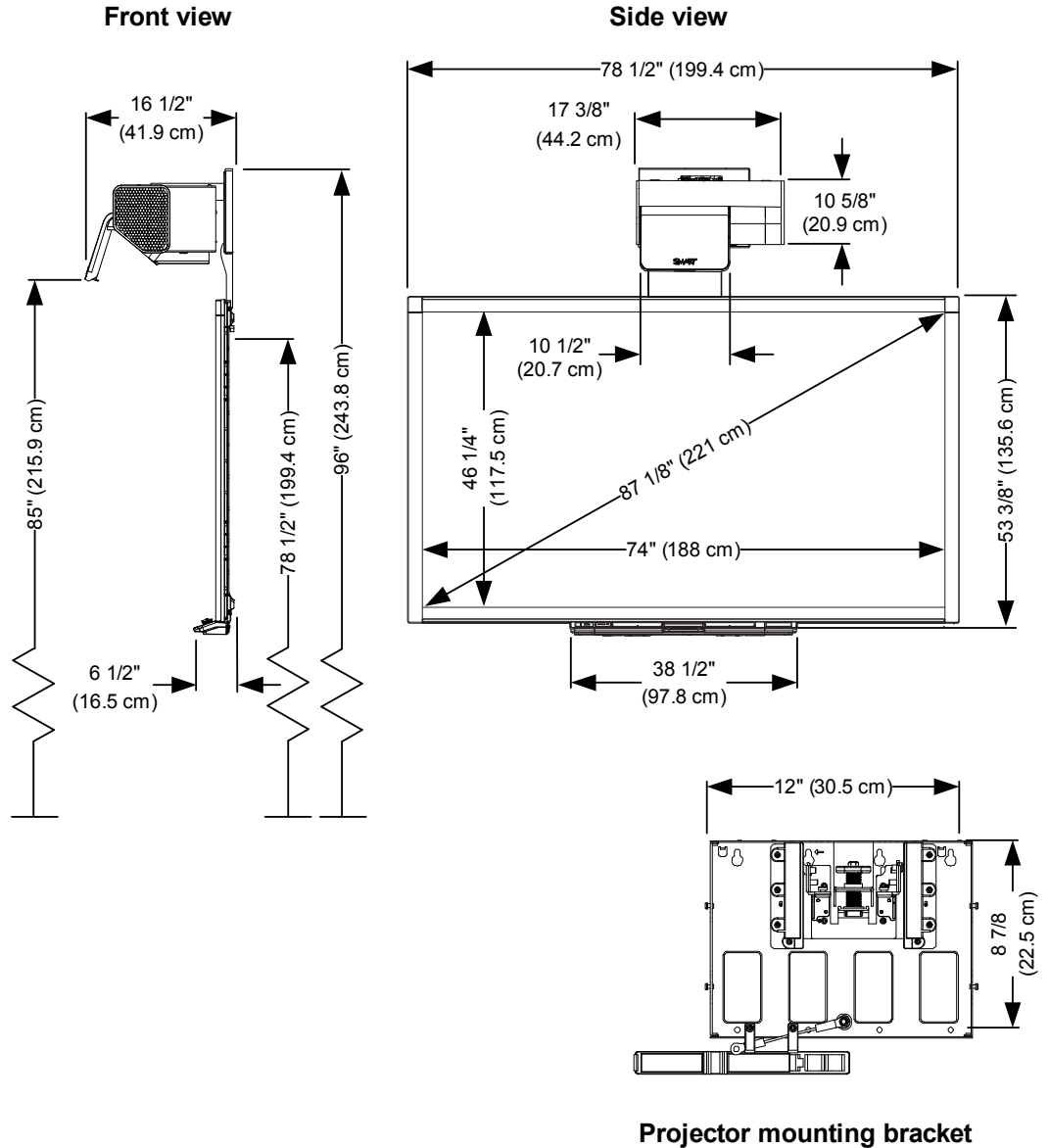
**SB885ixe-SMP** SMART Board 885ixe-SMP interactive whiteboard system with appliance and an SBX800 CAT5-XT USB extender.

**01-00274-20** Replacement lamp for SMART UX60 projectors

## SPECIFICATIONS

SMART Board interactive whiteboard system – Model SB885ixe-SMP

### Physical dimensions



[smarttech.com/support](http://smarttech.com/support)  
[smarttech.com/contactsupport](http://smarttech.com/contactsupport)

© 2011 - 2012 SMART Technologies ULC. All rights reserved. SMART Board, SMART GoWire SMART Meeting Pro, DV/IT, smarttech, the SMART logo and all SMART taglines are trademarks or registered trademarks of SMART Technologies ULC in the U.S. and/or other countries. BrilliantColor DLP, DLP Link, and Texas Instruments are trademarks of Texas Instruments. All third-party product and company names may be trademarks of their respective owners. One or more of the following patents: US6320597; US6326954; US6540366; US6563491; US6741267; US6803906; US6829372; US6919880; US6954197; US7151533; US7184030; US7236162; US7411575; US7532206; US7619617; US7643006; US7692625; US7757001; US7880720; USD612396; USD616462; USD617332; USD635189; USD636183 and USD636784. Other patents pending. Contents are subject to change without notice. 05/2012.