

SMART Board™ 880 Interactive Whiteboard

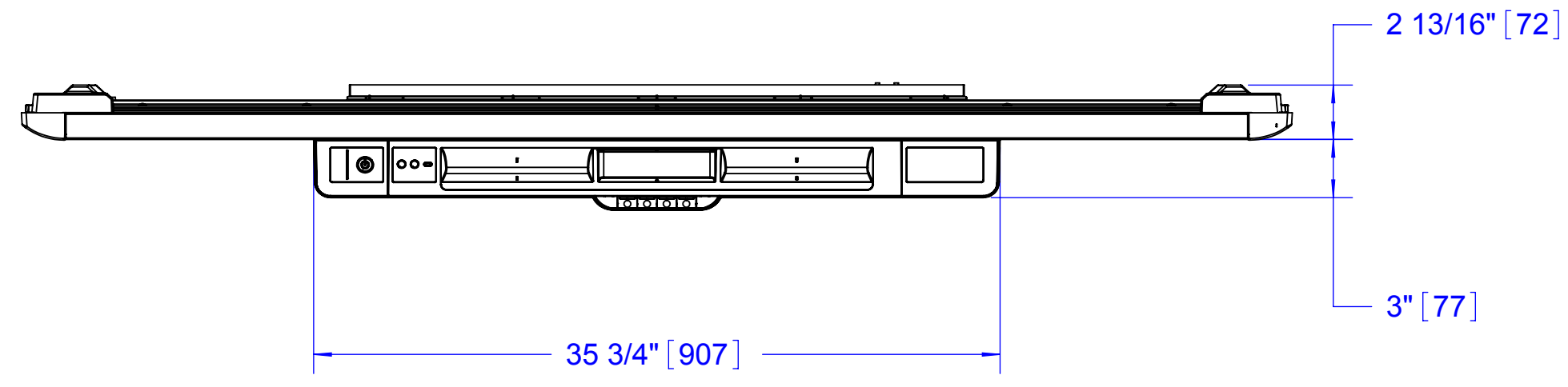
These drawings are for outline and installation purposes only.

All dimensions are given in inches (millimeters).

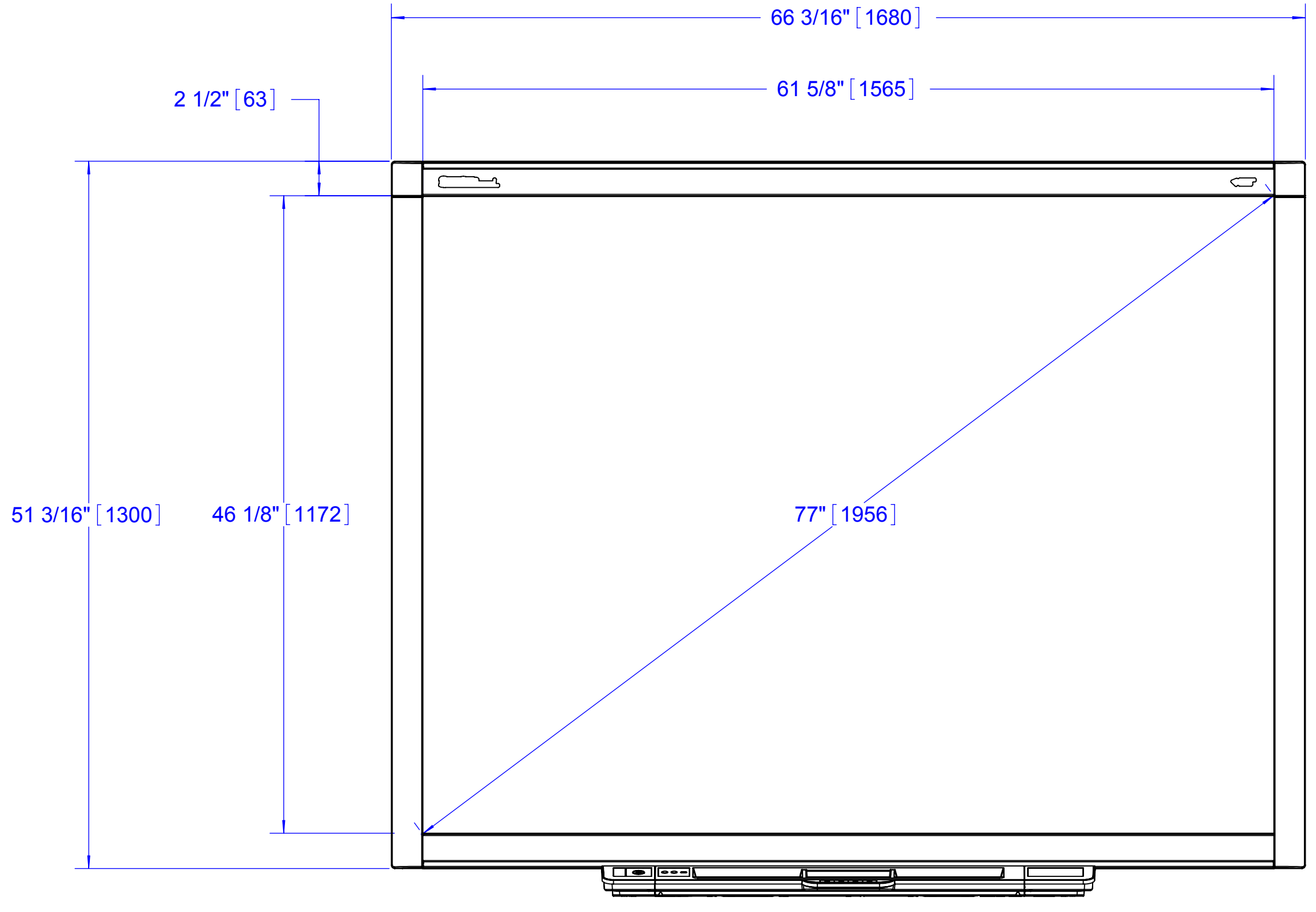
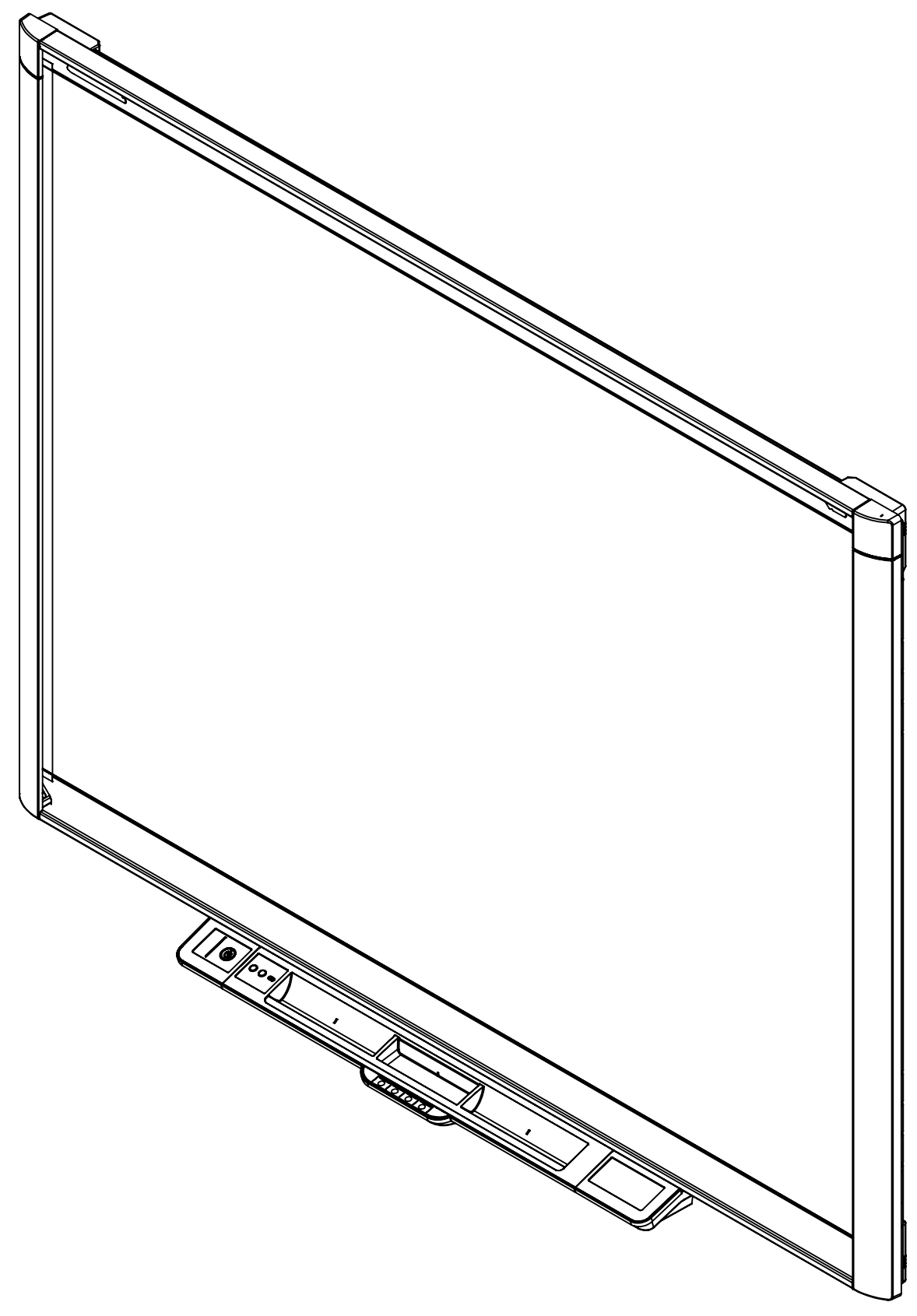
Dimensions are subject to change without notice.

All dimensions +/-1/8 (3mm)

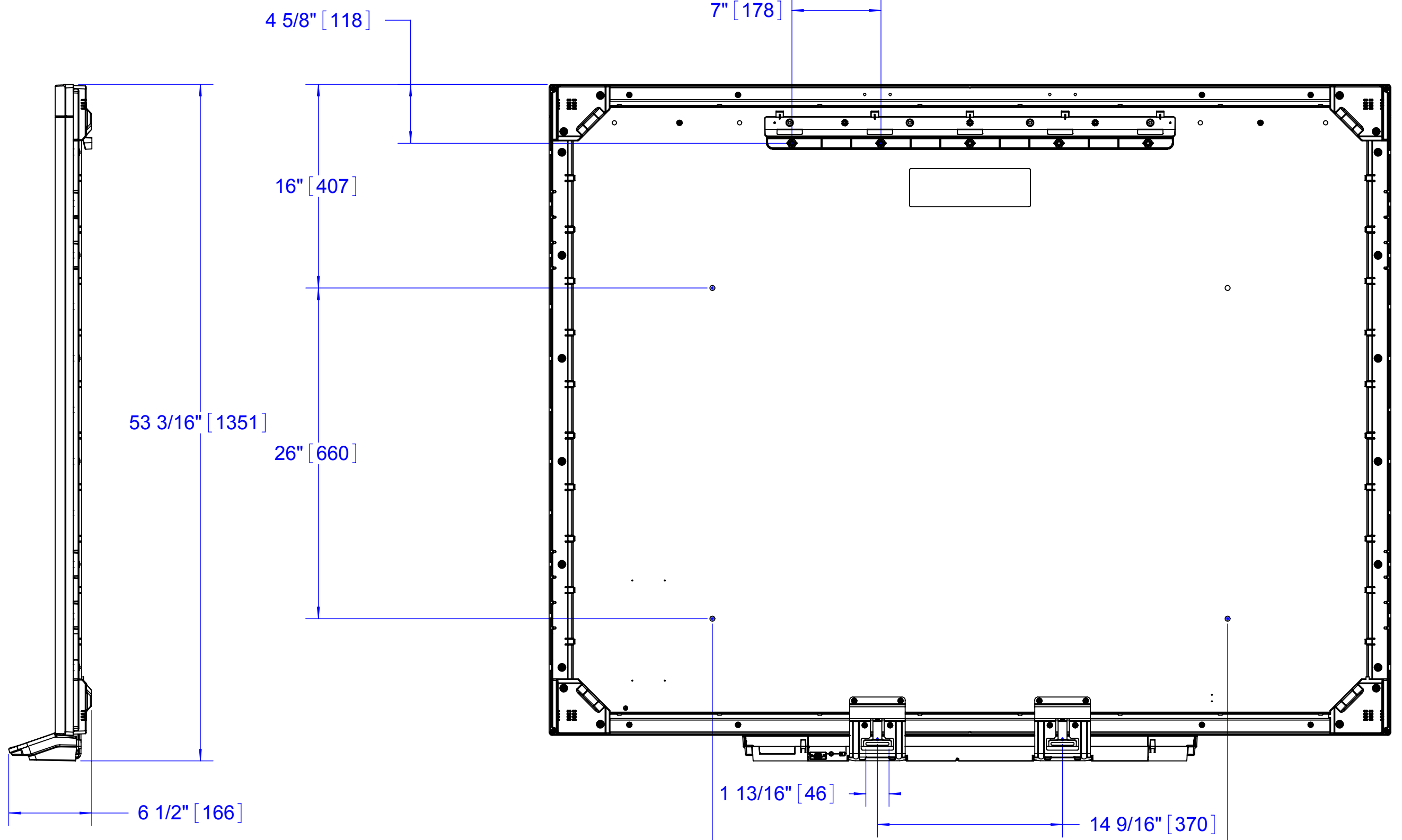
NOTE: DO NOT SCALE



Top View



Front View



Side View

Back View



3636 Research Road NW
 Calgary, Alberta T2L 1Y1
 CANADA
www.smarttech.com/support
www.smarttech.com/contactsupport

© 2011 SMART Technologies ULC.
 All rights reserved.
 The SMART logo, smarttech and all SMART taglines are trademarks or registered trademarks of SMART Technologies ULC in the U.S. and/or other countries.
 Patent No. US5448263; US6141000; US6337681; US6421042; US6540366; US6563491; US6674424; US6747636; US6760009; US6803906; US6829372; US6919880; US6954197; US7184030; US7236162; US7289113; US7342574; US7379622; US7411575; US7532206; US7619617; US7626577; US7643006; US7692625; CA2058219; CA2386094; EP1297488; EP1739528; JP4033582; JP4052498; JP4057200; ZL0181236.0; DE60124549.
 Other patents pending. 03/2011.