

Specifications

SMART Board® interactive whiteboard system

Model SBM685ix3

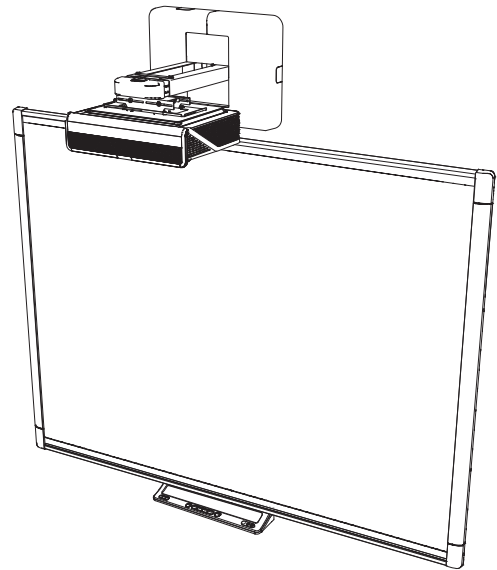
Overview

Your SMART Board® SBM685ix3 interactive whiteboard system combines the use of SMART Board M685 series interactive whiteboard and a SMART U100w projector along with other accessories and optional equipment.

The SMART U100w projector provides an ultra-bright high resolution wide screen image on a short boom delivering high definition, high performance interactivity that is virtually free of shadows or glare. You can do everything you can do at your computer—open and close applications, meet with others, create new documents or edit existing ones, visit websites, play and manipulate video clips and more—just by touching the interactive surface. Four users can draw on the interactive surface at the same time, and you can use an array of gestures within applications.

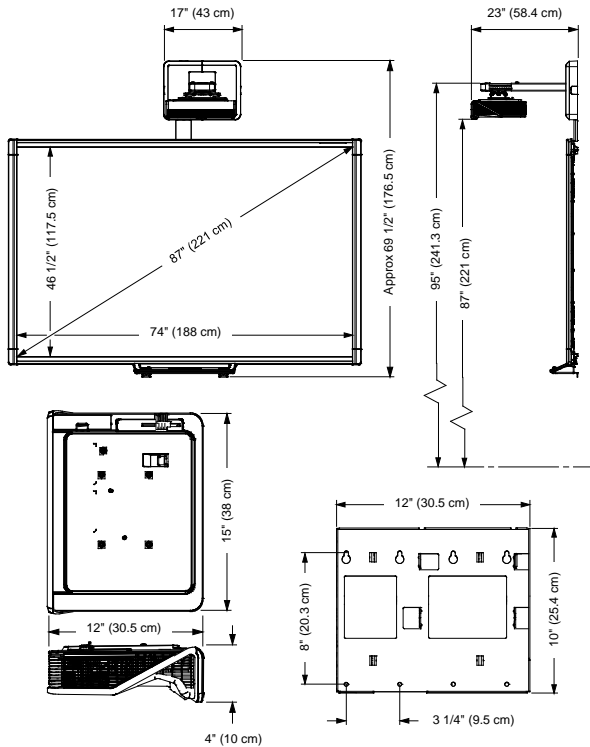
The SBM685ix3 system supports video and audio from a variety of devices, including DVD and Blu-ray™ players, document cameras, and other high-definition sources, and is displayed on the interactive screen. All HDMI® 1.4 inputs are HDCP compliant.

See smarttech.com for more information on this product.



Dimensions and weights¹

Dimensions



SMART Board M685 interactive whiteboard

Weight

51 lb. (23.1 kg)

Shipping dimensions

82" W × 53" H × 4 1/2" D
(208.3 cm × 134.6 cm × 11.4 cm)

Shipping weight

69 lb. (31.3 kg)

SMART U100 projector

Weight (projector only)

10 lb. (4.5 kg)

Weight (projector and boom)

22 lb. (10 kg)

Shipping weight (projector)

13 lb. 6 oz. (6.1 kg)

Shipping dimensions (projector)

15 1/2" W × 8 1/2" H × 19 1/2" D
(39.5 cm × 21.5 cm × 49.5 cm)

Shipping weight (boom)

14 lb. 8 oz. (6.6 kg)

Shipping dimensions (boom)

18 1/2" W × 12 3/4" H × 11 1/8" D
(46.8 cm × 32.4 × 28.2 cm)

Projector dimensions

15" W × 4" H × 12" D
(38 cm × 10 cm × 30.5 cm)

Accessory box

Shipping dimensions

33" W × 4" H × 7" D
(83.8 cm × 10.2 cm × 17.8 cm)

Shipping weight

5 lb. 3 oz. (2.4 kg)

¹All dimensions ± 1/8" (0.3 cm). All weights ± 2 lb. (0.9 kg).

Hardware

Projector

Brightness (standard)	3600 lumens 260 W mode at a CCT of 6500 K by the IEC method
Brightness (economy)	2880 lumens 220 W mode at a CCT of 6500 K by the IEC method
Native resolution	WXGA 1280 × 800 and 1280 × 720
Aspect ratio	16:10
Throw ratio	Short throw 0.27:1 ratio
Throw distance	10" (24.3 cm)
Display technology	The projection engine uses DLP® technology by Texas Instruments™, providing BrilliantColor™ performance and quality Gamma 2.2 correction with Bright Room, Dark Room, sRGB, User and SMART Presentation modes. Philips® ImageCare™ lamp control technology extends lamp life. ²
Lamp life ³	Up to 5000 hours in Standard 260 W mode. Up to 6500 hours in Economy 220 W mode (ImageCare on). Up to 3000 hours in Standard 260 W mode. Up to 5000 hours in Economy 220 W mode (ImageCare off).
Integrated loud speaker	9 W rms
Projector noise	35 dBA (high fan speed) or 32 dBA (standard fan speed), measured using the JIS method
Contrast ratio (typical)	2900:1
Video system compatibility	HDTV (720p and 1080i) video system compatibility and HD Ready (HDMI technology and 720p) available, NTSC, NTSC 4:43, PAL, PAL-N, PAL-M and SECAM (480i/p and 576i/p)
Video interface compatibility	HDCP compliant HDMI, Composite, VESA® RGB with additional interface support for Component YPbPr and Component YCbCr inputs with the proper adapters (not included)
Horizontal frequency	15 kHz–72 kHz
Vertical frequency	15 Hz–75 Hz
Clock frequency	165 Mhz
External management	Infrared remote control, RS-232 control port, internal web page, Crestron® RoomView® management via Ethernet
Theft protection	Projector system padlock ring and Kensington security slot



Interactive whiteboard

²Estimates of extended hours using ImageCare technology apply in specific classroom usage scenarios: Maximum 6 hours per day, 5 days a week, 200 days per year with a mix of static and moving images.

³Lamp life varies depending on the selected mode, environmental factors and projector use. Over time, the lamp's brightness decreases.

SPECIFICATIONS

SMART BOARD® INTERACTIVE WHITEBOARD SYSTEM – MODEL SBM685IX3

Multitouch capabilities	Support for two simultaneous touches enables up to two users to interact with the interactive whiteboard by using the included pens or other objects, or by using their fingers to write and to perform gestures.
Digitizing technology	Four-camera DViT® (Digital Vision Touch) technology
Pen tray	The pen tray connects to the interactive whiteboard. Use the color select buttons to change digital ink colors. The on-screen keyboard, the right-click and the orient features are also accessible with pen tray buttons. Basic projector controls are accessible from the pen tray, including power, volume control and input select.
Pen	Includes two pens
Power requirements	6' (1.8 m) power cable. Power consumption is less than 7 W (100V to 240V AC, 50/60 Hz, 5V DC 2.0A).
Computer connection	16' (5 m) USB 2.0 cable

Connectors

Projector connectors	3.5 mm phone jack VGA 1 audio input 3.5 mm phone jack line out (x2) DB15F RGB VGA video input (VGA In) DB15F RGB VGA video output (VGA Out) DB9F RS-232 control port HDMI 1.4 input (x2) Power (100V–240V AC at 50 Hz–60 Hz) USB B receptacle (for service use only) RJ45 Ethernet connector 7-pin mini-DIN for ECP data 4-pin mini-DIN 5V/2A output for ECP USB HUB/switch power RCA analog audio and composite video (red, white and yellow) Microphone 3.5 mm USB A receptacle (for HDMI streaming device), power only +5 VDC
ECP connectors	DB15-M connects harness cable to projector 4-pin room control system via SB8-CTRL adapter cable USB A connects to interactive whiteboard USB B (x2) connects to primary and secondary computers (desktop/laptop labels) USB A for USB drive RCA analog audio and composite video (red, white and yellow)

Computer Requirements

SBM685ix3	Windows® operating system or Mac operating system software and SMART Notebook® collaborative learning software installed. For a complete list of computer requirements, go to smarttech.com/downloads and browse to the latest SMART Notebook software release notes applicable to your operating system.
------------------	--

Storage and operating requirements

Power requirements and consumption	100V–240V AC at 50 Hz–60 Hz
Full mode	360 W
ECO mode	290 W
Standby mode	0.5 W
Operating temperature	
Interactive whiteboard	41°F to 95°F (5°C to 35°C) from 0' to 6000' (0 m to 1800 m) 41°F to 86°F (5°C to 30°C) from 6000' to 9800' (1800 m to 3000 m)
Projector	Standard speed: 41°F to 95°F (5°C to 35°C) from 0' to 6000' (0 m to 1800 m) High speed: 41°F to 86°F (5°C to 30°C) from 6000' to 6800' (1800 m to 2100 m)
Storage temperature	-4°F (-20°C) to 122°F (50°C)
Humidity	Up to 85% storage relative humidity, non-condensing Up to 85% operating relative humidity, non-condensing

Certification and compliance

Regulatory certification CE, CB, CCC, CE, C-Tick, FCC, KC, NOM, PSB, PSE, UL/CSA(U.S./Canada) and VCCI

Environmental compliance

China	EIP
European Union	REACH, RoHS, WEEE, Battery, Packaging and ErP Standby
U.S.	Packaging and Conflict Minerals

Warranty

Interactive whiteboard Two-year limited equipment warranty

Projector Three-year limited equipment warranty

Projector lamp 1000-hour/one-year warranty

Purchasing information

Order numbers

SBM685ix3	87" (221 cm) diagonal SMART Board M685 interactive whiteboard with a SMART U100w projector system. Includes a SMART Notebook software installation DVD.
1026952	Replacement lamp module for SMART U100 and U100w projectors
1013576	Projector mounting kit (see smarttech.com/kb/160505)
1020342	SMART Board interactive whiteboard hardware kit (see smarttech.com/kb/170475)

Optional extended warranty

EWY1-U100	SMART U100 projector one-year warranty extension (available at time of projector purchase only)
EWY2-U100	SMART U100 projector two-year warranty extension (available at time of projector purchase only)
EWY1-SBM	SMART Board M600 series interactive whiteboard one-year warranty extension (available at time of projector purchase only)
EWY3-SBM	SMART Board M600 series interactive whiteboard three-year warranty extension (available at time of projector purchase only)

Optional accessories See smarttech.com/accessories

smarttech.com/support
smarttech.com/contactsupport

© 2015 SMART Technologies ULC. All rights reserved. SMART Board, smarttech, the SMART logo and all SMART taglines are trademarks or registered trademarks of SMART Technologies ULC in the U.S. and/or other countries. All third-party product and company names may be trademarks of their respective owners. This product and/or use thereof covered by one or more of the following U.S. patents. www.smarttech.com/patents. Contents are subject to change without notice. 07/2015.