

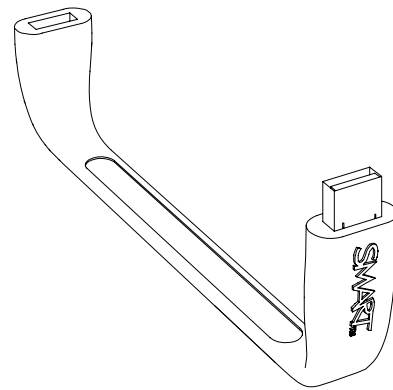
PLEASE THINK BEFORE YOU PRINT

Specifications

SMART Notebook SE Bracelet for Windows® Operating Systems

Physical Specifications

Dimensions	8 1/2" L x 7/8" W x 3/8" H (21.6 cm x 2.2 cm x 1.0 cm)
Weight	0.8 oz (22 g)
Shipping Weight (box of 10)	7.9 oz (225 g)
Shipping Dimensions (box of 10)	2 3/4" W x 3 3/8" H x 4 7/8" D (6.9 cm x 8.5 cm x 12.5 cm)



Dimensions +/- 1/16" (1.6 mm). All weights +/- 0.07 oz. (2 g).

Standard Features

Software	SMART Notebook SE (Student Edition) software for Windows® operating systems. Software upgrades are available at the SMART software download site.
Storage Capacity	2 GB total, 1.65 GB available
Connector	USB A, 2.0

Extraordinary made simple™

SMART™

SMART Notebook SE Software Computer Requirements

Windows Operating Systems	Pentium® III 750 MHz processor 512 MB of RAM (1 GB MB recommended) 25 MB free hard disk space Windows XP or Windows Vista® operating systems Internet Explorer® Internet browser 6.0 or later Adobe® Flash® Player version 8 or later Microsoft® DirectX® technology 8.1 or later (required for SMART Video Player)
----------------------------------	---

Storage and Operating Specifications

Storage	-40F° to 122°F (-40°C to 50°C)
Operation	32°F to 95°F (0°C to 35°C)
Humidity	0% to 90%, non-condensing

SMART Order Number

NBSE-B2GB-10	SMART Notebook SE bracelet for Windows operating systems - 10 pack
---------------------	--