

## Specifications

# SMART Board® 8084i-G4 interactive flat panel

Model 8084i-G4-SMP

## Overview

The SMART Board® 8084i-G4 interactive flat panel features SMART's proprietary DViT® (Digital Vision Touch) technology on an LCD screen with e-LED backlight which enables you to select, write and erase on the interactive surface. By touching the surface, you can do everything on the interactive flat panel that you can do at your computer, and you can use an array of gestures within applications.

You can also write or draw over any application in digital ink using one of the supplied pens or your finger, and then erase the digital ink using the supplied eraser or your palm. Two users can write or draw at the same time.

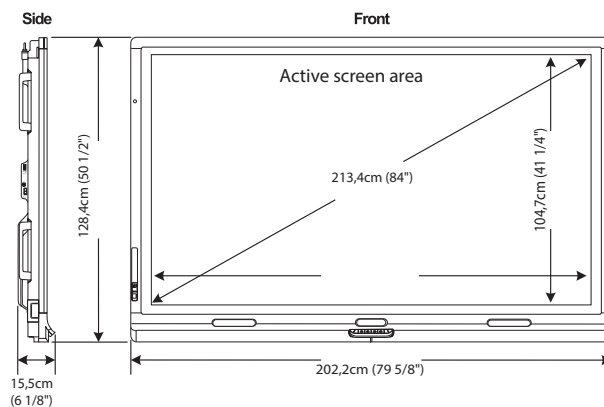
The interactive flat panel has two presence detection sensors on its frame that can detect people up to 5m (16') away. When the sensors detect people in the room, the interactive flat panel turns on. When the sensors no longer detect people in the room, the interactive flat panel turns off.

See [smarttech.com](http://smarttech.com) for more information on this product.



## Dimensions and weights\*

### Dimensions



### Weight

118.3kg (260 lb)

### Dispatch dimensions (including pallet)

219cm W x 159cm H x 38.5cm D  
(86 1/4" x 62 5/8" x 15 1/8")

### Dispatch weight

152.3kg (335 lb)

\*All dimensions  $\pm$  0.3cm (1/8"). All weights  $\pm$  0.9kg (2lb)

## SPECIFICATIONS

SMART Board 8084i-G4 interactive flat panel – Model 8084i-G4-SMP

### Hardware

#### Display

Aspect ratio	16 × 9
Optimal resolution	3840 × 2160 at 30 Hz
Horizontal frequency	244–280 kHz (analogue and digital)
Vertical frequency	24–120 Hz
Contrast ratio (typical)	1600:1
Brightness (typical)	250–300 cd/m <sup>2</sup>
Pixel pitch	0.48 mm

**Audio** Two 10 W integrated front firing speakers

**Noise level** 35 dBA

**Included cables and hardware** 2.4m (8') country-specific power cable I/O extension module for external PCs  
1.3m (4' 3") USB cable (SBID-G4-XTM)  
5m (16' 5") USB extender CAT 5 USB extender  
6.3m (20' 8") HDMI cable M8 eye bolts  
Infrared remote control (batteries included)  
Pens and eraser  
Spare nibs for pens

**Mounting holes** For a standard VESA® 600 mm × 400 mm mounting plate  
47.9cm (18 7/8") from the bottom of the interactive flat panel

### Connectors

**Top panel** 19V DC Molex® Micro-Fit 2-pin connector  
Stereo 3.5 mm out  
USB 3.0 Type-A

**Left panel** 19V DC Molex Micro-Fit 2-pin connector  
Stereo 3.5 mm out  
USB 2.0 Type-A

**Right panel** 19V DC Molex Micro-Fit 2-pin connector  
Stereo 3.5 mm out

**Back** AC power inlet VGA in  
USB 2.0 Type-A Component video in (Y, Pb, Pr)  
USB 2.0 Type-B (×2) Composite video in  
RS-232 in Stereo 3.5 mm in  
RS-232 out/pass-through Stereo 3.5 mm out  
DisplayPort in Dual RCA audio in (×2)  
HDMI in (×2) Speaker wire connector, 8 Ω of resistance  
DVI-D in  
DVI-D out

**I/O extension module** HDMI in  
USB 2.0 Type-B

## Installation requirements

**Installation** See the *SMART Board 8000i-G4 interactive flat panel setup and maintenance guide* ([smarttech.com/kb/170446](http://smarttech.com/kb/170446))

**Computer** See [smarttech.com/SMARTMeetingProReleaseNotes](http://smarttech.com/SMARTMeetingProReleaseNotes)

## Storage and operating requirements

**Power requirements** 100V to 240V AC, 50 Hz to 60 Hz

### Power consumption at 25°C (77°F)

Normal Standby mode 120 W

Normal operating 370 W

Maximum operating  
(Vivid mode) 530 W

**Operating temperature** 5°C to 35°C (41°F to 95°F)

**Storage temperature** -20°C to 60°C (-4°F to 140°F)

**Humidity** 5% to 80% relative humidity, non-condensing

## Certification and compliance

**Regulatory certification** UL (US and Canada), FCC, IC, C-Tick, NOM, CU, CB, PSE, VCCI, KC, CCC, PSB and BIS

### Environmental compliance

China EIP

European Union REACH, RoHS, WEEE, Battery, Packaging and ErP Standby

US Packaging and Conflict Minerals

## Purchasing information

### Order number

SBID 8084i-G4-SMP SMART Board 8084i-G4 interactive flat panel, including a SMART Meeting Pro software room license key and 25 SMART Meeting Pro software personal license keys

**Optional accessories** See [smarttech.com/businessaccessories](http://smarttech.com/businessaccessories)

**Warranty** Three-year limited equipment warranty

[smarttech.com/support](http://smarttech.com/support)  
[smarttech.com/contactsupport](http://smarttech.com/contactsupport)

© 2013–2016 SMART Technologies ULC. All rights reserved. SMART Board, DViT, SMART Meeting Pro, smarttech, the SMART logo and all SMART taglines are trade-marks or registered trade-marks of SMART Technologies ULC in the US and/or other countries. All third-party product and company names may be trade-marks of their respective owners. This product and/or use thereof covered by one or more of the following US patents. [www.smarttech.com/patents](http://www.smarttech.com/patents). Contents are subject to change without notice. 04/2016.