

SMART Board® interactive whiteboard system

Model SB885i6

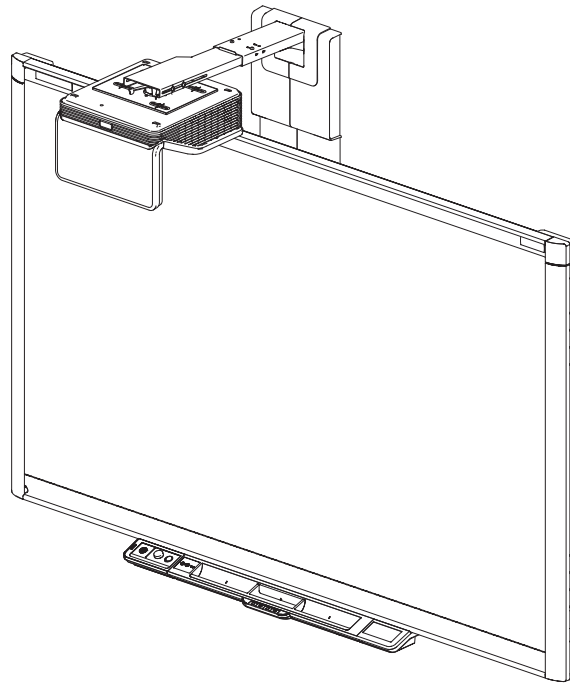
Overview

Your SMART Board® 885i6 interactive whiteboard system combines the use of a SMART Board 800 series interactive whiteboard and a SMART UF70w projector along with other accessories and optional equipment.

The SMART UF70w projector provides an ultra-bright high resolution image on a short boom delivering high definition, high performance interactivity that is virtually shadow-free and glare-free. You can do everything you can do at your computer—open and close applications, meet with others, create new documents or edit existing ones, visit websites, play and manipulate video clips and more— just by touching the interactive surface. Four users can draw on the interactive surface at the same time, and you can use an array of gestures within applications.

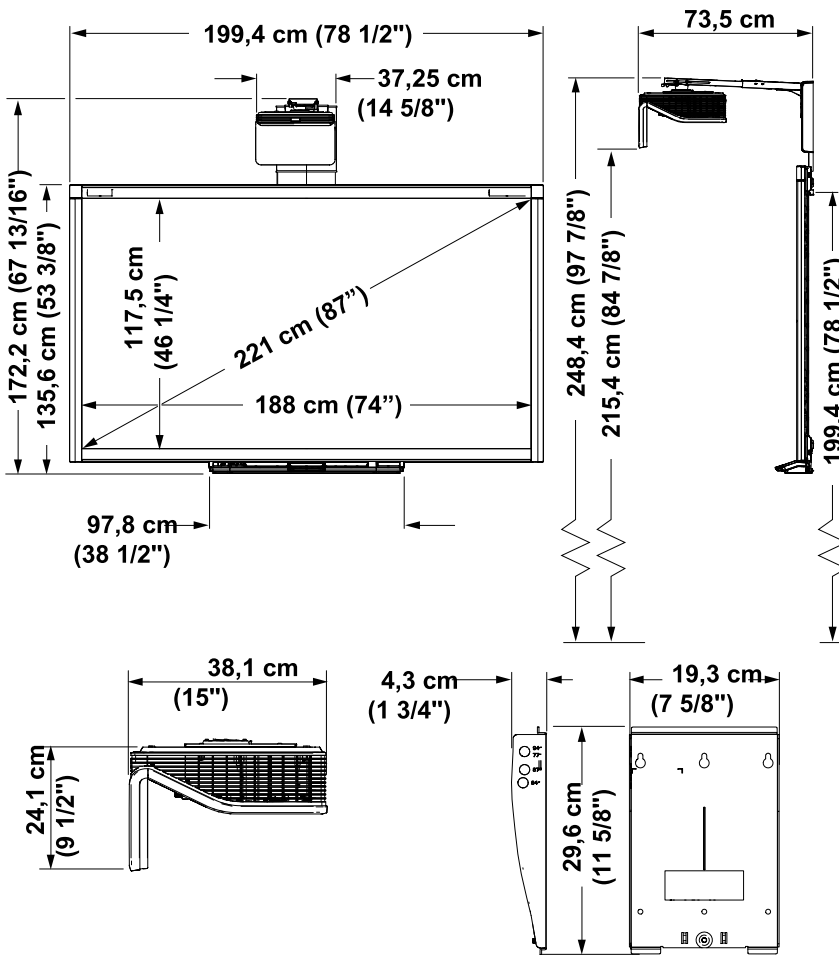
The SB885i6 system supports video and audio from a variety of devices, including DVD and Blu-ray™ players, document cameras, and other high-definition sources, and is displayed on the interactive screen. All HDMI 1.4 inputs are HDCP compliant.

See smarttech.com for more information on this product.



Dimensions and weights¹

Dimensions



SMART Board 885 interactive whiteboard

Weight

27.2 kg (60 lb)

Dispatch dimensions

11.1cm W x 144.1cm H x
223.5cm D
(4 3/8" x 56 3/4" x 88")

Dispatch weight

40.8kg (90 lb)

SMART UF70w projector

Weight (projector only)

7.6kg (16 lb 11oz)

Weight (projector and boom)

12.9kg (28 lb 6oz)

Dispatch weight

16.2kg (35 lb 13 oz)

Dispatch dimensions

50.8cm W x 39.4cm H x 61cm D
(20" x 15 1/2" x 24")

Projector dimensions

37.1cm W x 24.1cm H x 73cm D
(14 5/8" x 9.1/2" x 28 3/4")

Extended control panel (ECP)

Dimensions

16.8cm W x 5.5cm H x
11.9cm D
(6 5/8" x 2 1/8" x 4 5/8")

Weight

2.6kg (5lb 11oz)

Dispatch dimensions

41.9cm W x 35.6cm H x
7.6cm D
(16 1/2" x 14" x 3")

Remote control

Dimensions

4.1cm W x 8.6cm H x 0.6cm D
(1 5/8" x 3 3/8" x 1/4")

¹All dimensions ± 0.3cm (1/8"). All weights ± 0.9kg (2lb)

Hardware

Projector

Brightness (standard)	3000 lumens 230 W mode at a CCT of 6500 K by the IEC method
Brightness (economy)	2250 lumens 190 W mode. at a CCT of 6500 K by the IEC method
Native resolution	WXGA 1280 × 800
Aspect ratio	16:10 with support for 16:9, and 4:3 and 5:4 ratio with scaling
Throw ratio	Short throw 0.35:1 ratio
Throw distance	65.5cm (25.75")
Display technology	The projection engine uses DLP® technology by Texas Instruments™, providing BrilliantColor™ performance and quality Gamma 2.2 correction with Bright Room, Dark Room, sRGB, User and SMART Presentation modes.
Lamp life	2500 hours in Standard 230 W mode. 4000 hours in Economy 190 W mode.
Integrated loud speaker	9 W rms
Projector noise	32 dBA standard fan speed. 37 dBA high speed fan speed.
Contrast ratio (typical)	2900:1
Video system compatibility	HDTV (720p and 1080p) video system compatibility and HD Ready (HDMI technology and 720p) available, NTSC, NTSC 4:43, PAL, PAL-N, PAL-M and SECAM (480i/p and 576i/p)
Video interface compatibility	HDCP compliant HDMI, Composite, VESA® RGB with additional interface support for Component YPbPr and Component YCbCr inputs with the proper adapters (not included)
Horizontal frequency	15 kHz–72 kHz
Vertical frequency	15 Hz–75 Hz
Clock frequency	165 Mhz
External management	Infrared remote control, RS-232 control port, internal webpage, Crestron® RoomView® management via Ethernet



Interactive whiteboard

Touch resolution	4000 × 4000
Touch and gestures	<p>Users can interact with the interactive whiteboard using the included pens or other objects or by using their fingers to write, erase and perform mouse functions.</p> <p>The Object Awareness feature enables you to pick up a pen and then write, select or erase without replacing the pen. This interactive whiteboard also features gesture capability, providing a natural and flexible way to interact with content.</p>
Digitising technology	Four-camera DViT® (Digital Vision Touch) technology with steel coated dry-wipe surface
Pen tray	Optical sensors in the pen tray detect when you lift a pen or eraser from the tray. Colour buttons on the pen tray enable you to select pen colour.

Accessories	Two ergonomic pens with comfort grip and rectangular eraser
Extended Control Panel (ECP)	SB885i6 - included with the system, not pre-attached to the pen tray
Included cables and hardware SB885i6	4.5m (14' 9") power cable Infrared remote control 5m (16' 5") USB cable 4.1m (13' 5.5") 3.5 mm stereo audio cable Projector wiring harness
Theft protection	Projector system padlock ring SB800 system - Kensington security slot

Connectors

Projector connectors	3.5mm phone jack audio input 3.5mm phone jack audio output DB15F RGB VGA video input (VGA In) DB15F RGB VGA video input (VGA Out) DB9F RS-232 control port HDMI 1.4 input Power (100V–240V AC at 50 Hz–60 Hz) USB-B port (for service use only) RJ45 - Ethernet connector 7-pin mini-DIN for ECP data 4-pin mini-DIN 5V/2A output for ECP USB HUB/switch power RCA analogue audio and composite video (red, white and yellow) Microphone 3.5 mm
ECP connectors	RJ11 6-wire internal pen tray connection 11-pin connects to projector wiring harness 4-pin room control system via SB8-CTRL adapter cable USB-B connects to bottom of pen tray USB mini-Type B (x2) primary and secondary computer connections USB Type A for USB Drive or memory stick

Computer requirements

SB885i6	Windows® operating system or Mac operating system software and SMART Notebook™ collaborative learning software installed. For a complete list of computer requirements, go to smarttech.com/downloads and browse to the latest SMART Notebook software release notes applicable to your operating system.
----------------	--

Storage and operating requirements

Power requirements and consumption	100V–240V AC at 50 Hz–60 Hz
Full mode	360 W
ECO mode	360 W
Standby mode	0.5 W

Operating temperature

Interactive whiteboard	5°C to 35°C (41°F to 95°F) from 0m to 1800m (0' to 6000') 5°C to 30°C (41°F to 86°F) from 1800m to 3000m (6000' to 9800')
Projector	Standard speed: 5°C to 35°C (41°F to 95°F) from 0m to 1800m (0' to 6000') High speed: 5°C to 30°C (41°F to 86°F) from 1800m to 210m (6000' to 6800')
Storage temperature	-20°C (-4°F) to 50°C (122°F)
Humidity	Up to 80% storage relative humidity, non-condensing Up to 80% operating relative humidity, non-condensing

Certification and compliance

Regulatory certification	CB, CCC, CE, C-Tick, FCC, KC, GOST-R, NOM, PSB, PSE, TUV-GS, UL/CSA (US/Canada) and VCCI
Environmental compliance	
China	EIP
European Union	REACH, RoHS, WEEE, Battery, Packaging and ErP Standby
US	Packaging and Conflict Minerals

Warranty

Interactive whiteboard	Two-year limited equipment warranty OR Five-year limited equipment warranty upon registration
Projector	Two-year limited equipment warranty
Projector lamp	1000-hour/one-year warranty
ECP	Two-year limited equipment warranty

Purchasing information**Order numbers**

SB885i6	221cm (87") diagonal SMART Board interactive whiteboard with a SMART UF70w projector system. Includes a SMART Notebook software installation DVD.
1020991	Replacement lamp for SMART UF70 / UF70w projectors.
1013576	Projector hardware kit (see smarttech.com/kb/160505)

Optional extended warranty

(EWY1-UF70W)	SMART UF70w projector one-year warranty extension. (available at time of projector purchase only)
(EWY3-UF70W)	SMART UF70w projector three-year warranty extension. (available at time of projector purchase only)
Optional accessories	See smarttech.com/accessories

smarttech.com/support

smarttech.com/contactsupport

© 2013 SMART Technologies ULC. All rights reserved. SMART Board, smarttech, the SMART logo and all SMART taglines are trade-marks or registered trade-marks of SMART Technologies ULC in the US and/or other countries. All third-party product and company names may be trade-marks of their respective owners. This product and/or use thereof covered by one or more of the following US patents. www.smarttech.com/patents. Contents are subject to change without notice. 09/2013.