

Specifications

SMART Board® interactive whiteboard system

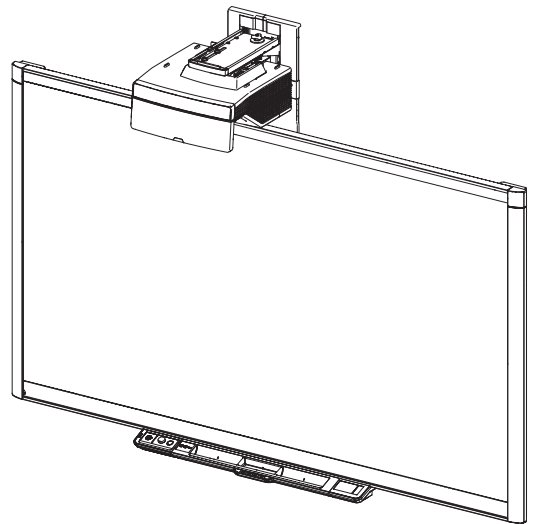
Model SB885ix2/SB885ix2-SMP

Overview

Your SMART Board 800ix2 interactive whiteboard system combines the use of a SMART Board 885 interactive whiteboard, a SMART UX80 projector, and other accessories and optional equipment.

It uses the WXGA (16:10) ultra-short-throw, high-offset SMART UX80 projector and delivers high definition, 3D-ready high performance interactivity that is virtually shadow-free and glare-free. You can do everything you can do at your computer—open and close applications, meet with others, create new documents or edit existing ones, visit websites, play and manipulate video clips and more— just by touching the interactive surface. Four users can draw on the interactive surface at the same time, and you can use an array of gestures within applications.

The projector supports video and audio connections from a variety of devices including DVD and Blu-ray™ players, document cameras, and other high-definition sources, and can project media from these sources onto the interactive screen. All HDMI 1.4 inputs are HDCP compliant.

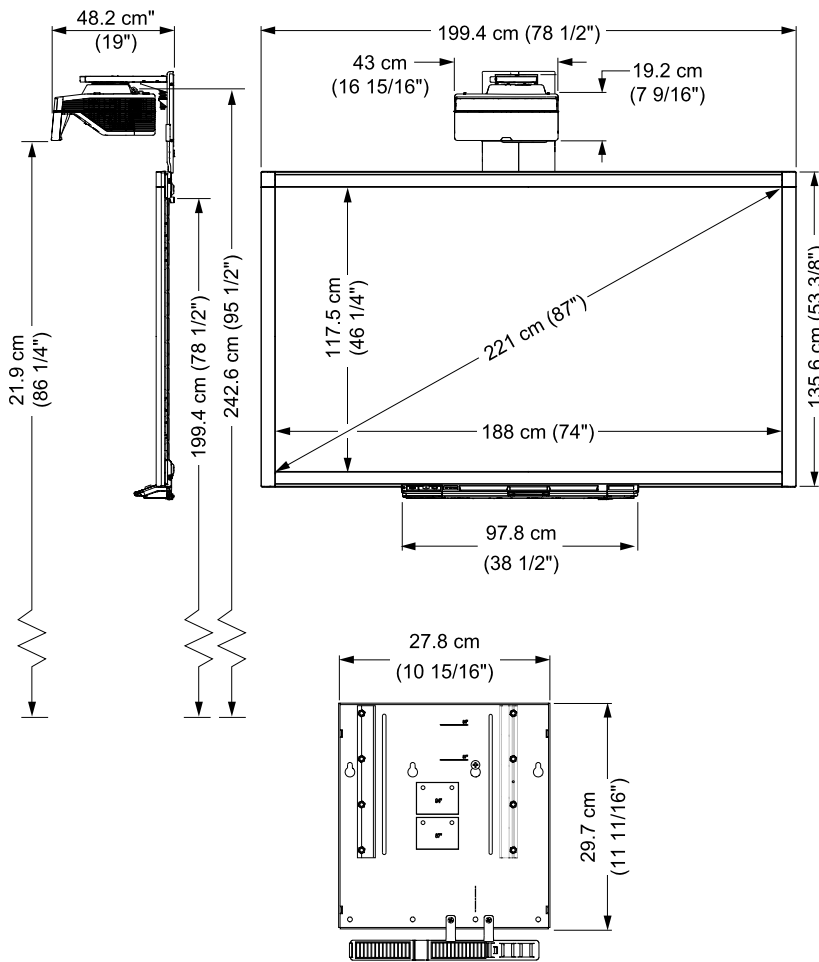


See smarttech.com for more information on this product.

SPECIFICATIONS

SMART Board interactive whiteboard system – Model SB885ix2/SB885ix2-SMP

Dimensions and weights



SMART Board885ix2 interactive whiteboard

Weight

27.2kg (60 lb)

Dispatch dimensions

11.1cm W x 144.1cm H x 223.5cm
D (4 3/8" x 56 3/4" x 88")

Dispatch weight SB885ix2

40.8kg (90lb)

Dispatch weight SB885ix2-SMP

43.1kg (95lb)

SMART UX80 projector

Weight (projector only)

8.8kg (19lb 6oz)

Weight (projector + boom)

15.3kg (33lb 12oz)

Dispatch weight (projector + boom)

19.2kg (42lb 5oz)

Dispatch dimensions

65cm W x 60cm H x 40cm D (25 5/8" x 23 5/8" x 15 3/4")

Remote control dimensions

4.1cm W x 8.6cm H x 0.6cm D (1 5/8" x 3 3/8" x 1/4")

Extended control panel (ECP) - SB885ix2 only

Dimensions

16.8cm W x 5.5cm H x 11.9cm D (6 5/8" x 2 18" x 4 5/8")

Weight

2.6kg (5lb 11oz)

Dispatch dimensions

41.9cm W x 35.6cm H x 7.6cm D (16 1/2" x 14" x 3")

Hardware

Projector

Brightness (standard)	3300 lumens (typical) in Standard 280 W mode at a CCT of 6500 K by the IEC method.
Brightness (economy)	2600 lumens (typical) in Economy 230 W mode at a CCT of 6500 K by the IEC method.
Native resolution	WXGA 1280 × 800
Aspect ratio	Native 16:10 aspect ratio with support for 16:9, and 5:4 and 4:3 aspect ratios with source image scaling.
Throw ratio	Ultra-short throw 0.18:1 ratio
Throw distance	37.5cm (14 3/4")
Display technology	Single chip DLP® technology by Texas Instruments™
3D technology	3D-ready projector using DLP Link™ technology
Lamp life	2000 hours in Standard 280 W mode, 3000 hours in Economy 230 W mode.
Integrated speaker	10 W mono
Projector noise	36 dBA (high fan speed) or 33 dBA (standard fan speed), measured using the JIS method
Contrast ratio (typical)	2000:1
Video system compatibility	HDTV (720p and 1080p) video system compatibility and HD Ready (HDMI technology and 720p) available, NTSC, NTSC 4.43, PAL, PAL-N, PAL-M, SDTV (480i/p and 576i/p)
Video interface compatibility	HDMI 1.4 (×2) and VGA (RGB or Component)
Horizontal frequency	15 kHz–68 kHz
Vertical frequency	25 Hz–85 Hz
Clock frequency	25 MHz–150MHz
External management	IR Remote, RS232 control port, internal webpage, Crestron RoomView® management via Ethernet



Interactive whiteboard

Touch resolution	4000 × 4000
Digitising technology	Four-camera DViT® (Digital Vision Touch) technology with steel coated dry-wipe surface
Accessories	Two ergonomic pens with comfort grip and rectangular eraser

Extended Control Panel (ECP)

SB885ix2 - included with the system, not pre-attached to the pen tray
 SB885ix2-SMP - included with the system, pre-attached to the pen

Included cables and hardware

For SB885ix2 and SB885ix2-SMP	For SB885ix2 only
4.5m (14' 9") power cable	Notebook/laptop harness
Infrared remote control	For SB885ix2-SMP only
5m (16' 5") USB cable	150 mm USB adapter
4.1m (13' 5.5") 3.5mm stereo audio cable	SBX800 CAT5-XT USB extender
Projector wiring harness	SMART GoWire™ auto-launch cable with SMART Meeting Pro™ software
	Room control adapter cable - SB8-CTRL

SPECIFICATIONS

SMART Board interactive whiteboard system – Model SB885ix2/SB885ix2-SMP

Theft protection Projector system padlock ring
SB800 system - Kensington security slot

Connectors

Projector connectors 3.5mm phone jack audio input
3.5mm phone jack audio output
DB15F RGB VGA video input
DB9F RS-232 control port
HDMI 1.4 input (x2)
Power (100V–240V AC at 50 Hz–60 Hz)
USB-B port - for service use only
RJ45 - ethernet connector
RJ45 - second projector control
7-pin mini-DIN for ECP data
4-pin mini-DIN 5V/2A output for ECP USB HUB/switch power

ECP connectors RJ11 6-wire internal pen tray connection
11-pin connects to projector wiring harness
4-pin room control system via SB8-CTRL adapter cable
USB Type B connects to bottom of pen tray
USB mini-Type B (x2) primary and secondary computer connections
USB Type A for USB Drive or memory stick



IMPORTANT

The USB Type A connects only to the Primary computer

Computer requirements

SB885ix2 Windows® operating system or Mac operating system software and SMART Notebook software installed

SB885ix2-SMP Windows operating system and SMART Meeting Pro software installed or the SMART GoWire auto-launch cable connected.

Storage and operating requirements

Power requirements 100V–240V AC at 50 Hz–60 Hz

Power consumption

Full mode 375 W

Standard mode 311 W

Standby mode 0.5 W

Operating temperature

Interactive whiteboard 5°C to 35°C (41°F to 95°F) from 0m to 1800m (0' to 6000')
5°C to 30°C (41°F to 86°F) from 1800m to 3000m (6000' to 9800')

Projector Standard speed: 0m to 1800m (0' to 6000'): 5°C to 35°C (41°F to 95°F)
High speed: 1800m to 2100m (6000' to 6800'): 5°C to 30°C (41°F to 86°F)

Storage temperature	-20°C to 50°C (-4°F to 122°F)
Humidity	5% to 95% storage relative humidity, non-condensing 5% to 85% operating relative humidity, non-condensing

Certification and compliance

Regulatory certification	CB, CCC, CE, C-Tick, FCC, KC, GOST-R, NOM, PSB, PSE, UL/CSA(US/Canada) and VCCI
---------------------------------	---

Environmental compliance

China	EIP
European Union	REACH, RoHS, WEEE, Battery, Packaging and ErP Standby
US	Packaging and Conflict Minerals

Warranty

Interactive whiteboard	Two-year limited equipment warranty OR Five-year limited equipment warranty upon registration
Projector	Three-year limited equipment warranty
Projector lamp	1000-hour/one-year warranty
ECP	Three-year limited equipment warranty

Purchasing information

Order numbers

SB885ix2	221cm (87") diagonal SMART Board interactive whiteboard with a SMART UX80 projector system. Includes a SMART Notebook software installation DVD.
SB885ix2-SMP	221cm (87") diagonal SMART Board interactive whiteboard with a SMART UX80 projector system. Includes a SMART GoWire cable with SMART Meeting Pro software and a SBX800 CAT5-XT USB extender.
1018740	Replacement SMART UX80 projector lamp module
1013576	Projector hardware kit smarttech.com/kb/160505

Optional extended warranty

EWY2-UX80	UX80 projector extended warranty (available at time of projector purchase only)
-----------	--

Optional accessories See smarttech.com/accessories

smarttech.com/support
smarttech.com/contactsupport

© 2013 SMART Technologies ULC. All rights reserved. SMART Board, DVIT, SMART Meeting Pro, SMART Notebook, SMART GoWire, smarttech, the SMART logo and all SMART taglines are trade-marks or registered trade-marks of SMART Technologies ULC in the US and/or other countries. RoomView and the Crestron logo are either trade-marks or registered trade-marks of Crestron Electronics, Inc. in the United States and/or other countries. All third-party product and company names may be trade-marks of their respective owners. This product and/or use thereof covered by one or more of the following US patents. www.smarttech.com/patents. Contents are subject to change without notice. 03/2013.