

Specifications

SMART Room System™ for Microsoft® Lync® for extra small rooms

Model SRS-LYNC-XS

Overview

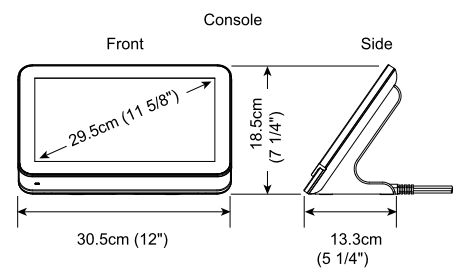
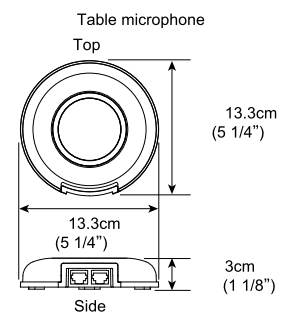
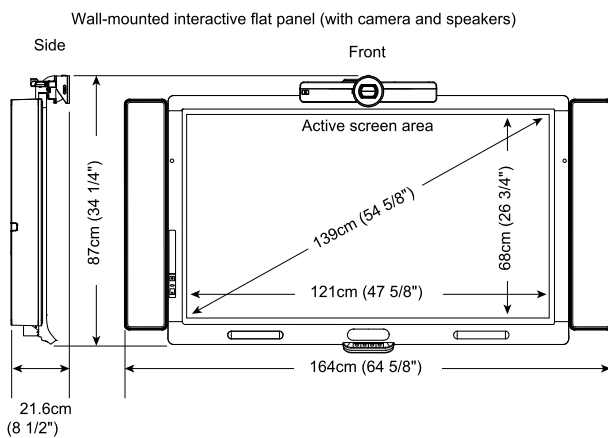
The SMART Room System™ for Microsoft® Lync® for extra small rooms features a SMART Board® 8055i interactive flat panel, a tabletop console, a high-definition camera, table microphones and speakers.

Using the Lync Room System software installed, you can start a meeting and connect with other individuals or meeting rooms with a single tap on the console or the interactive flat panel. You can write or draw on the interactive flat panel using the whiteboard feature, present a PowerPoint® slide show, connect a laptop to share its screen and share your content with connected individuals and meeting rooms in real time.

See smarttech.com/smartroom for more information on this product.



Dimensions and weights¹



¹All dimensions ± 0.3cm (1/8"). All weights ± 0.9kg (2lb).

	Weight	Dispatch weight	Dispatch dimensions
Interactive flat panel	44.5kg (98lb)	67kg (148lb)	157cm × 109cm × 110cm (61 3/4" × 43" × 43 1/4")
WM-SBID-501 wall mount	10.8kg (24lb)	14kg (31lb)	117cm × 32cm × 28.1cm (46" × 12 1/2" × 11")
Speakers	7kg (15lb)	9.1kg (20lb)	96cm × 39.5cm × 18.8cm (37 3/4" × 15 1/2" × 7 3/8")
System components	6.2kg (14lb)	10.8kg (24lb)	49.5cm × 45.7cm × 57.2cm (19 1/2" × 18" × 22 1/2")
Total	68.5kg (151lb)	119kg (263lb) ²	

Hardware

Included hardware

SBID 8055i	SMART Board 8055i interactive flat panel
AM70-L	Lync appliance
AM-ENC-L	Lync appliance enclosure
CP311	Console
CAM301	Camera
MIC500	Table microphone (×2)
MIX500	Audio processor
CSR500	Speakers
WM-SBID-501	Wall mount for installing the interactive flat panel on a wall
SRS-ACC-BK	Accessory bracket kit

Included cables

For interactive flat panel	2.4m (8') IEC 60320 C13 to country-specific power 6.3m (20' 8") HDMI 5m (16' 5") USB
For Lync appliance	2.4m (8') IEC 60320 C13 to country-specific power 1.6m (5' 4") AC/DC converter
For console	6.3m (20' 8") HDMI and USB 2.4m (8') IEC 60320 C13 to country-specific power 1.6m (5' 4") AC/DC converter
For camera	3m (9' 10") USB 2m (6' 7") IEC 60320 C7 to country-specific power 1.5m (4' 11") AC/DC converter

²Including the pallet

SMART ROOM SYSTEM FOR MICROSOFT LYNC FOR EXTRA SMALL ROOMS – MODEL SRS-LYNC-XS

For table microphones and audio processor	9m (30') audio (interactive flat panel to table) 4m (13') audio (microphone to microphone) 1.8m (6') USB 2m (6' 7") IEC 60320 C7 to country-specific power 1.5m (4' 11") AC/DC converter
For speakers	1.8m (6') dual RCA 5m (16' 5") audio (speaker to speaker) 2m (6' 7") IEC 60320 C7 to country-specific power 1.5m (4' 11") AC/DC converter
For laptop ³	9.3m (30' 6") harness (HDMI and VGA)
Recommended diameter for conduit	4.5cm (1 3/4")
Interactive flat panel	
Touch technology	DViT® (Digital Vision Touch) technology
Screen size (diagonal)	139cm (54 5/8")
Aspect ratio	16:9
Optimal resolution	1920 × 1080 at 60 Hz
Horizontal frequency	14–96 kHz (analogue and digital)
Vertical frequency	24–85 Hz
Contrast ratio (typical)	2800:1
Brightness (typical)	Typical: 290 cd/m ² Maximum: 450 cd/m ²
Pixel pitch	0.63mm
Lync appliance	
Processor	2.3 GHz Intel® Core™ i7 with HD 4000 graphics chipset
RAM	Dual-channel 8 GB DDR3
Console	
Screen size (diagonal)	29.5cm (11 5/8")
Aspect ratio	16:9
Resolution	1366 × 768
Brightness	250 cd/m ²
Camera	
Features	Digital pan, tilt and zoom (DPTZ) Automatic white balance Automatic exposure and power line frequency detection Manual lens tilt adjustment Internal privacy shutter Video recording indicator
Aspect ratio	16:9
Resolution (maximum)	1920 × 1080

³Laptop not included

SPECIFICATIONS

SMART ROOM SYSTEM FOR MICROSOFT LYNC FOR EXTRA SMALL ROOMS – MODEL SRS-LYNC-XS

Frame rate (typical)	30 frames per second (at ≥ 200 lx)
Field of view	109° (full) 98° (horizontal)
Depth of field	1-10m (3'-33')
Signal-to-noise ratio (minimum)	33 dB at ≥ 50 lx 36 dB at ≥ 200 lx
Dynamic range (minimum)	42 dB

Table microphones

Features	Mute button and indicator 4m (13') cable between microphones Daisy-chain up to five microphones
Local speaker audio level	60–65 dBA measured at 0.5m (20")

Speakers

Total harmonic distortion	< 1% average < 3% maximum 80–10 kHz
Frequency response	± 6 dB, 80–10 kHz
Nominal volume	76 dBSPL

Audio

Echo cancellation	> 45 dB at nominal receive output level
-------------------	-----------------------------------------

Software

Lync Room System software	See lync.microsoft.com
----------------------------------	----------------------------------------------------------------

Storage and operating requirements

Room system power (excluding console)

Power requirements	3.6A at 100V to 1.5A at 240V AC, 50 Hz to 60 Hz
Power consumption at 25°C (77°F)	360 W

Console power

Normal power consumption	< 12 W (using the supplied 12 V AC/DC converter)
Standby power consumption	< 0.6 W

Storage

Temperature	-20–60°C (-4–140°F)
Humidity	5–95% relative humidity, non-condensing

Operating

Temperature	5–35°C (41–95°F)
Humidity	10–80% relative humidity, non-condensing

Certification and compliance

Regulatory certification ⁴	UL (US and Canada), FCC, IC, CB, VCCI, PSE, CE
----------------------------------------------	------------------------------------------------

Environmental compliance

European Union	REACH, RoHS, WEEE, Battery and Packaging
US	Packaging and Conflict Minerals

Purchasing information**Order number**

SRS-LYNC-XS	SMART Room System for Lync for extra small rooms
-------------	--------------------------------------------------

Optional accessories

MIC500	Additional table microphone
WSK-SINGLE	Wall stand kit for rooms with one interactive flat panel, including one wall stand for transferring some of the weight of the interactive flat panel to the floor and one cable track

Warranty

Two-year warranty	Interactive flat panel Camera Lync appliance Console
One-year warranty	Speakers Wall mount
90-day return	Cables, pens, batteries and other items that can be purchased from the SMART Parts Store (see smarttech.com/Support/PartsStore)

smarttech.com/support
smarttech.com/contactsupport

© 2014 SMART Technologies ULC. All rights reserved. SMART Room System, SMART Board, DViT, smarttech, the SMART logo and all SMART taglines are trade-marks or registered trade-marks of SMART Technologies ULC in the US and/or other countries. Microsoft, Lync and PowerPoint are either registered trade-marks or trade-marks of Microsoft Corporation in the US and/or other countries. All other third-party product and company names may be trade-marks of their respective owners. This product and/or use thereof covered by one or more of the following US patents. www.smarttech.com/patents. Contents are subject to change without notice. 03/2014.

⁴As applicable to the components