



# SMART<sup>®</sup>



## ***Service Parts Diagrams***

**For Model:  
SWC-120UHD**

# Service Parts Diagrams Revision History

## Revision 1 - March, 2023

- New document

## Standard Warranty Terms

Base product: Three-year limited equipment warranty

First Customer Ship: March, 2023

---

**SMART Technologies ULC**  
3636 Research Road NW  
Calgary, AB T2L 1Y1  
CANADA  
[www.smarttech.com](http://www.smarttech.com)



© 2023 SMART Technologies ULC. All rights reserved. SMART Board, smarttech and the SMART logo are trademarks or registered trademarks of SMART Technologies ULC in the U.S. and/or other countries. All other third-party product and company names are for identification purposes only and may be trademarks of their respective owners. Contents are subject to change without notice. 03/2023.

# Service Parts Diagrams for the SWC-120UHD

---

Identifying Your Product Using the Serial Number ..... 1  
SWC-120UHD Parts ..... 2



## Identifying Your Product Using the Serial Number

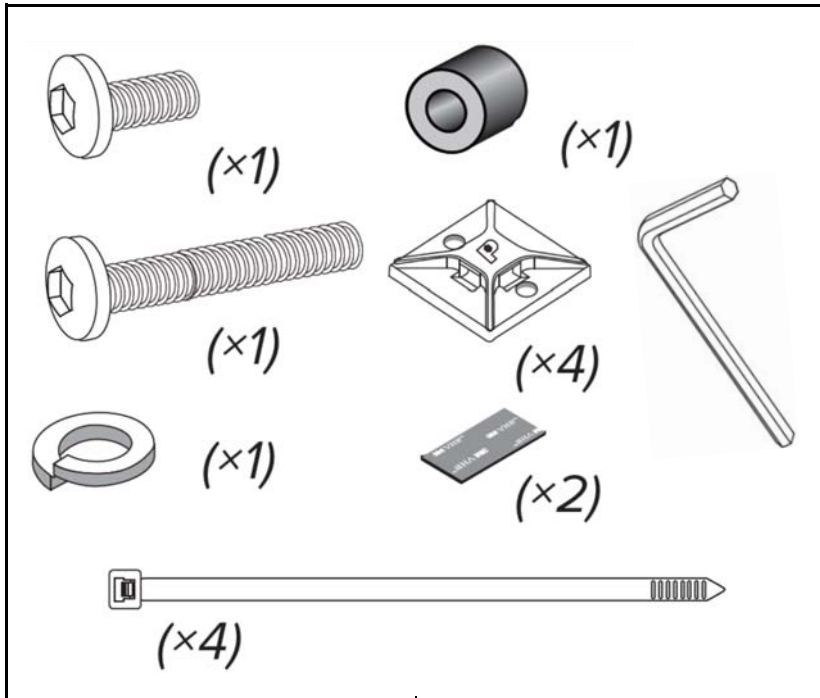
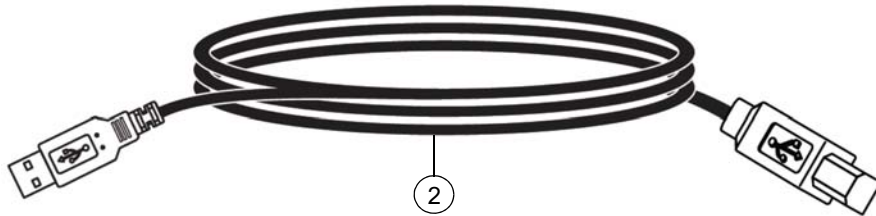
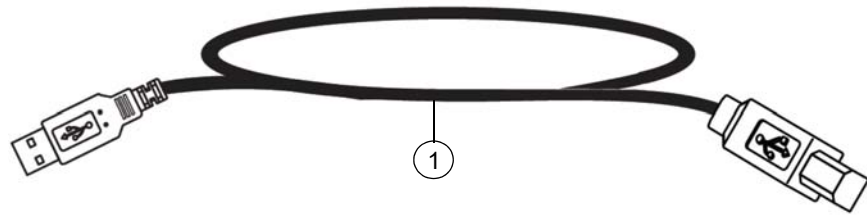
To make sure that you have the correct service parts diagrams, you must verify the serial number of your SWC-120UHD. The serial number is located on the bottom. An example of the serial number format is shown below.



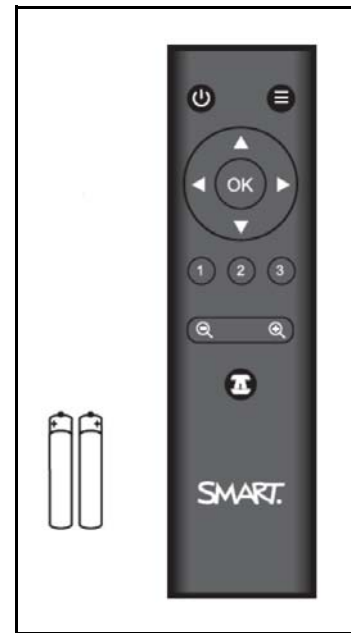
**M041PW09A0067**

Unique Serial Number

# SWC-120UHD Parts



3



4

| <b>Item</b> | <b>Part No.</b> | <b>Qty</b> | <b>Description</b>                   |
|-------------|-----------------|------------|--------------------------------------|
| 1           | 1039344         | 1          | Cable, USB, A-C, 1'2" (35 cm)        |
| 2           | 1039286         | 1          | Cable, USB, A-B, 9'10" (3.0 m)       |
| 3           | 1039726         | 1          | Kit, installation, SWC-120UHD        |
| 4           | 1039285         | 1          | Assembly, remote control, SWC-120UHD |