

Specifications

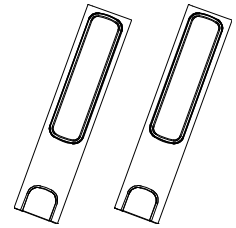
# SBA-L projection audio system for SMART Board® interactive whiteboard systems

Model SBA-L

## Overview

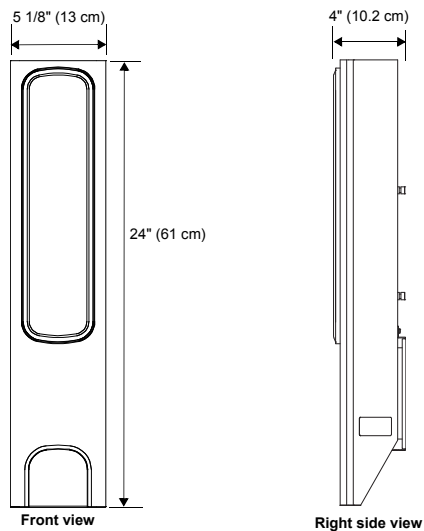
The projection audio system for SMART Board® interactive whiteboard systems is intended for front-projection systems that include an extended control panel (ECP) with a volume control. You can also use the digital volume controls included with the operating system.

See [smarttech.com](http://smarttech.com) for more information on this product.



## Dimensions and weights\*

### Dimensions



### Weight (both speakers)

11 lb. 14 oz. (5.4 kg)

With brackets added

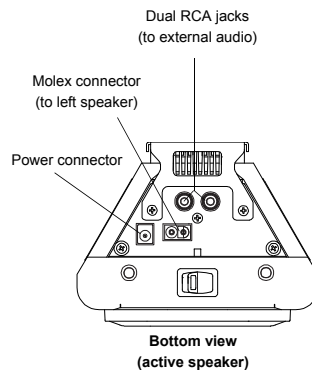
13 lb. 11 oz. (6.2 kg)

### Shipping size

12 3/4" W × 8" H × 26 1/2" D  
(32.4 cm × 20.3 cm × 67.3 cm)

### Shipping weight

18 lb. (8.2 kg)



\*All dimensions ± 1/8" (0.3 cm). All weights ± 2 lb. (0.9 kg).

## Standard features

|   |  |
|---|--|
| <b>Mounting brackets</b>                | Mount the speakers directly to your SMART Board interactive whiteboard system.   |
| <b>Color</b>                            | Light gray (approximates PANTONE® Cool Gray 4 C)<br>Matches the SMART UF70 projector and the SMART Board M600 series interactive whiteboard  |
| <b>Connectivity</b>                     | Dual RCA receptacles on the bottom of the right (active) speaker connect to the projector  |
| <b>Frequency range</b>                  | 50 Hz to 20 kHz ± 6 dB   |
| <b>Output</b>                           | 14 W RMS both channels driven simultaneously. The audio system provides a comfortable listening volume in rooms up to 1,000 square feet (93 square meters) in size with a 30-person capacity (subject to room acoustics) |
| <b>Connection panel (right speaker)</b> | Polarized Molex® connector and 16 AWG wire with sufficient slack to discreetly route wire behind your interactive whiteboard or along the floor  |
| Dual RCA                                | Connects to the projector  |
| Power                                   | Powered barrel connector (15V DC, 4A), positive center   |
| <b>Power requirements</b>               | Switching power supply (100V–240V AC, 50 Hz–60 Hz, 1.5A) and a 14' 9 1/8" (4.5 m) country-specific power cord (15V DC, 4000 mA, 60 VA, positive tip)   |
| <b>Operating specifications</b>         | 41°F to 95°F (5°C to 35°C) with up to 80% humidity, non-condensing<br><b>Caution:</b> If the speakers are very cold, allow them to warm to room temperature before operation.  |

## Certification and compliance

|                                 |   |
|---------------------------------|---|
| <b>Regulatory certification</b> | UL (Canada/U.S.), CE, FCC, IC, C-Tick   |
| <b>Environmental compliance</b> | China EIP; EU RoHS, REACH, Packaging and WEEE; U.S. Packaging and Conflict Minerals |

## Purchasing information

|                     |  |
|---------------------|--|
| <b>Order number</b> |  |
| SBA-L               | SBA-L projection audio system for SMART Board interactive whiteboard systems |
| <b>Warranty</b>     | One-year limited equipment warranty  |

smarttech.com/support  
smarttech.com/contactsupport

© 2011–2021 SMART Technologies ULC. All rights reserved. SMART Board, smarttech, the SMART logo and all SMART taglines are trademarks or registered trademarks of SMART Technologies ULC in the U.S. and/or other countries. All third-party product and company names may be trademarks of their respective owners. This product and/or use thereof covered by one or more of the following U.S. patents. www.smarttech.com/patents. Contents are subject to change without notice. 09/2021.