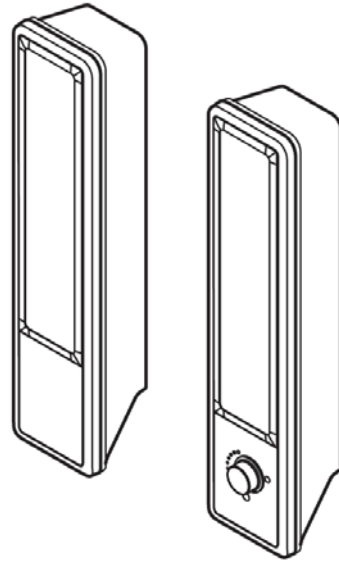


**SMART**<sup>TM</sup>



***Service Parts  
Diagrams***

**For Model:  
SBA-V**

## Service Parts Diagrams Revision History

### Revision 1 - May, 2011

- New document

### Revision 2 - February, 2017

- Change 60-00061-20 to 1023046

### Revision 3 - April, 2022

- Add 1035630

## Standard Warranty Terms

Base product: One-year limited equipment warranty

First Customer Ship: April, 2011

---

### SMART Technologies

3636 Research Road NW  
Calgary, AB T2L 1Y1  
CANADA

Support +1.403.228.5940 or Toll Free 1.866.518.6791 (Canada/U.S.)

Support Fax +1.403.806.1256

ServiceParts@smarttech.com [www.smarttech.com](http://www.smarttech.com)



# Service Parts Diagrams for the SBA-V Audio System

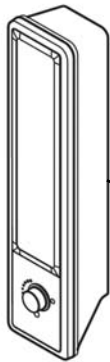
---

Identifying Your Product Using the Serial Number ..... 1  
Ordering Parts ..... 1  
SBA-V Parts ..... 2



## Identifying Your Product Using the Serial Number

To make sure that you have the correct service parts diagrams, you must verify the serial number of your SBA-V. The serial number will be located on the back of the control speaker. An example of the serial number format is shown below.



Serial Number Location

**D012DW10A0016**

Serial Number Example

## Ordering Parts

### Customers

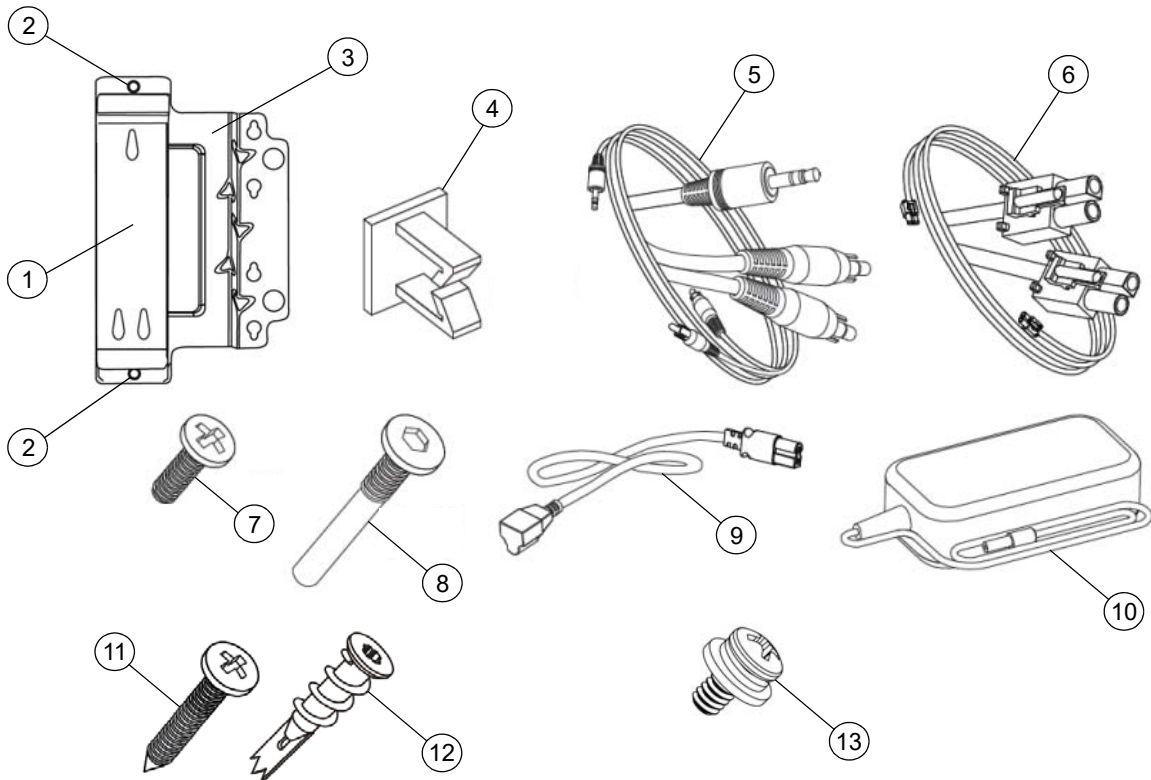
To order any of the parts in these service parts diagrams, contact your local reseller. To find a reseller near you, visit [www.smarttech.com/where](http://www.smarttech.com/where).

### Dealers and Distributors

For specific technical and pricing enquiries in regards to these diagrams please contact our service parts department. Pricing is also available on-line via the SOURCE website ([source.smarttech.com](http://source.smarttech.com)).

E-mail: [serviceparts@smarttech.com](mailto:serviceparts@smarttech.com)  
Phone: 1.888.42.SMART  
International: +1.403.245.0333

## SBA-V Parts



Item	Part No.	Qty	Description
1	51-00770-20	2	Bracket, wall mounting, speaker <b>NOTE:</b> Attaches to speaker body.
2	30-01247-20	4	Screw, M6 × 6 mm, Phillips, button head <b>NOTE:</b> For attaching 51-00770-20 to 51-00771-21.
3	51-00771-21	2	Bracket, mounting <b>NOTE:</b> Attaches to 51-00770-20 for mounting speakers to SMART Board.
4	30-01281-20	2	Clip, saddle "U", wire management
5	93-00830-20	1	Cable, audio, 3.5 mm male to dual RCA male, 14' 9" (4.5 m) <b>NOTE:</b> Connects control speaker to projector.
6	93-00829-20	1	Cable, audio, speaker, 9' 10" (3 m) <b>NOTE:</b> Connects audio from right to left speakers.
7	30-00915-20	8	Screw, No. 8 × 1/2", Phillips, pan head, for plastics <b>NOTE:</b> For attaching speakers to SMART Board SB600/SBM600/SB480/SB800 series.
8	30-01248-20	2	Screw, M4 × 22 mm, hex socket, button head <b>NOTE:</b> For attaching 51-00770-20 to speaker body.
9	93-00751-20	1	Cable, power, North America, 14' 9" (4.5 m)
9	93-00752-20	1	Cable, power, United Kingdom, 14' 9" (4.5 m)
9	93-00753-20	1	Cable, power, Europe, 14' 9" (4.5 m)
9	93-00754-20	1	Cable, power, Australia, 14' 9" (4.5 m)
9	93-00755-20	1	Cable, power, Japan, 14' 9" (4.5 m)
9	93-00756-20	1	Cable, power, China, 14' 9" (4.5 m)
9	93-00757-20	1	Cable, power, Korea, 14' 9" (4.5 m)

10	1023046	1	Power supply, 18V DC, 3A, universal switching
11	30-00969	4	Screw, No. 8 × 1", Phillips, truss head <b>NOTE:</b> Threads into drywall anchors for wall mounting.
12	30-00122-20	4	Anchor, self drilling, drywall
13	1035630	8	Screw, M4 × 8 mm, Phillips, pan head, SEMS split washer <b>NOTE:</b> For attaching speakers to SMART Board SBM700 series.