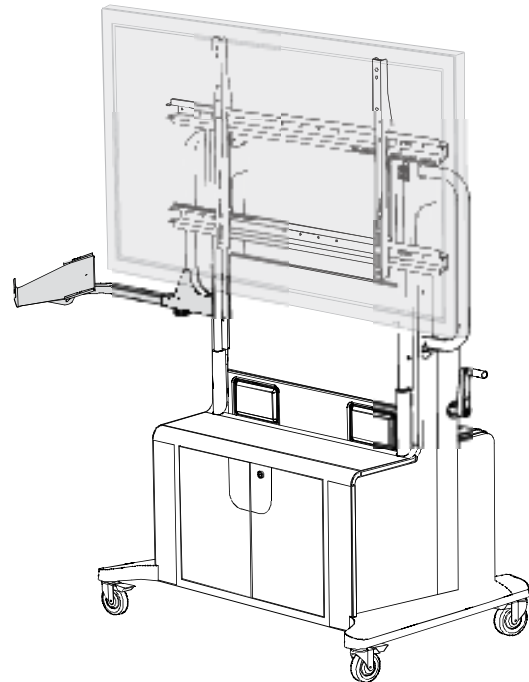


# SMART™



## *Service Parts Diagrams*

**For Model:**

**FSSBID 100H**

**FSSBID LTS**

**FSSBID RACK MT**

**ADP USB AB**

## Service Parts Diagrams Revision History

### Revision 1 - September, 2009

- New document

### Revision 2 - September, 2011

- Change 30-01215-20 to 30-01266-20 and 20-01267-20
- Change 96-00071-20 to 96-00071-21
- Change 87-00102-00 to 87-00110-20
- Remove 30-01244-20
- Add 30-01454-20 and 30-01460-20

### Revision 3 - June, 2012

- Remove 57-00738-00, 87-00110-20, 30-01236-20, 93-00686-20, 30-01182-20, 30-00152-20, 30-01214-20 and 30-00749-20

### Standard Warranty Terms

Base product: One-year limited equipment warranty

First Customer Ship: May, 2009

---

#### SMART Technologies

3636 Research Road NW

Calgary, AB T2L 1Y1

CANADA

Support +1.403.228.5940 or Toll Free 1.866.518.6791 (Canada/U.S.)

Support Fax +1.403.806.1256

[www.smarttech.com/contactserviceparts](http://www.smarttech.com/contactserviceparts) [www.smarttech.com](http://www.smarttech.com)



# Service Parts Diagrams for the FSSBID 100H, FSSBID LTS, FSSBID RACK MT and ADP USB AB

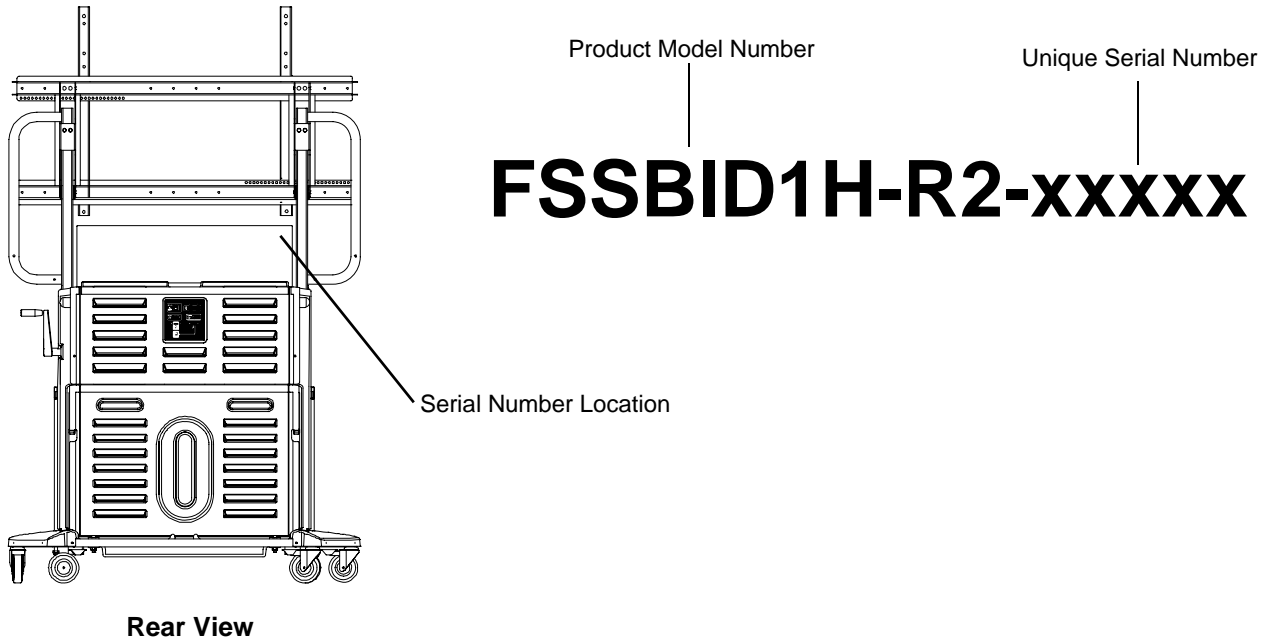
---

- Identifying Your Product Using the Serial Number ..... 1
- Ordering Parts ..... 1
- Overview ..... 2
- Front View ..... 3
- Rear View ..... 4
- North American Mobile Stand Power Kit (Part No. 20-01039-20) ..... 5
- International Mobile Stand Power Kit (United Kingdom - Part No. 20-01048-20, Europe - Part No. 20-01047-20, Japan - Part No. 20-01049-20, Australia - Part No. 20-01050-20, South Africa - Part No. 20-01063-20, China - Part No. 20-01051-20) ..... 6
- Running Diagram FSSBID 100H (North America) ..... 7
- Running Diagram FSSBID 100H (International) ..... 8
- Mobile Stand Accessory Kit Assembly (Part No. 20-01040-20) ..... 10
- FSSBID 100H Accessory Kit Assembly (Part No. 20-01096-20) ..... 11
- Optional Laptop Shelf (Part No. FSSBID LTS) ..... 12
- Optional USB A to B Adapter for 300 Series Interactive Display Overlays and FSSBID 100 (Part No. ADP USB AB) ..... 13
- Optional Cabinet Conversion Kit for a Rack Mount Configuration (Part No. FSSBID RACK MT) ..... 13



## Identifying Your Product Using the Serial Number

To make sure that you have the correct service parts diagrams, you must verify the serial number of your SMART Mobile stand. The serial number will be located on the back of the stand. An example of the serial number format is shown below.



## Ordering Parts

### Customers

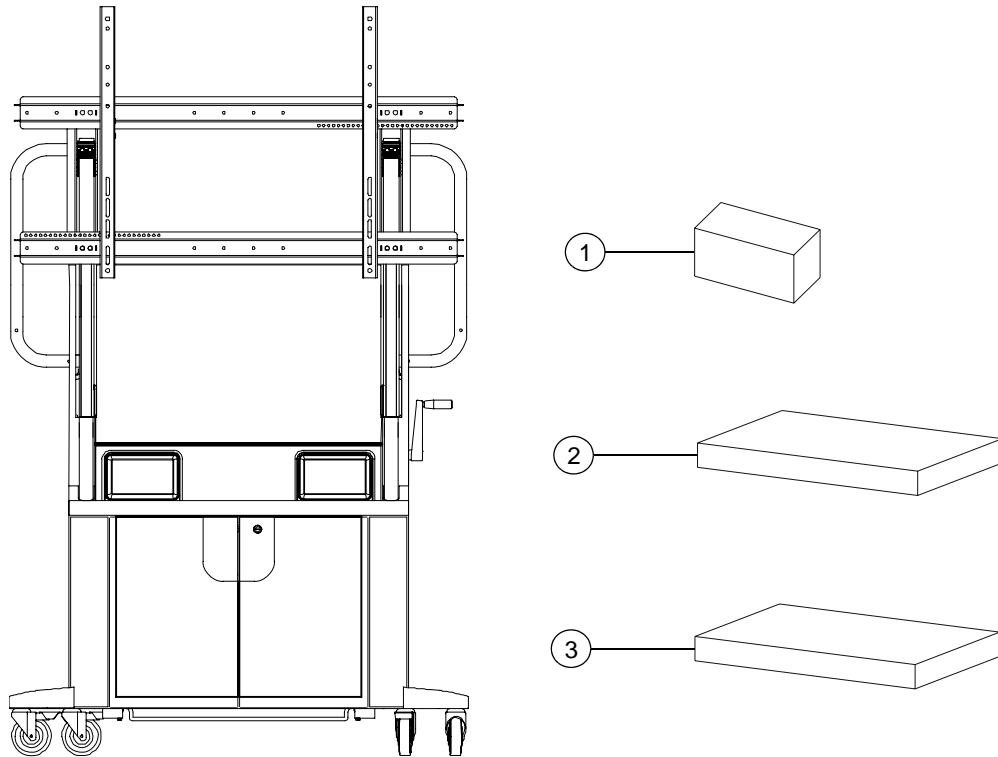
To order any of the parts in these service parts diagrams, contact your local reseller. To find a reseller near you, visit [www.smarttech.com/where](http://www.smarttech.com/where).

### Dealers and Distributors

For specific technical and pricing enquiries in regards to these diagrams please contact our service parts department. Pricing is also available on-line via the SOURCE website ([source.smarttech.com](http://source.smarttech.com)).

E-mail: [serviceparts@smarttech.com](mailto:serviceparts@smarttech.com)  
Phone: 1.888.42.SMART  
International: +1.403.245.0333

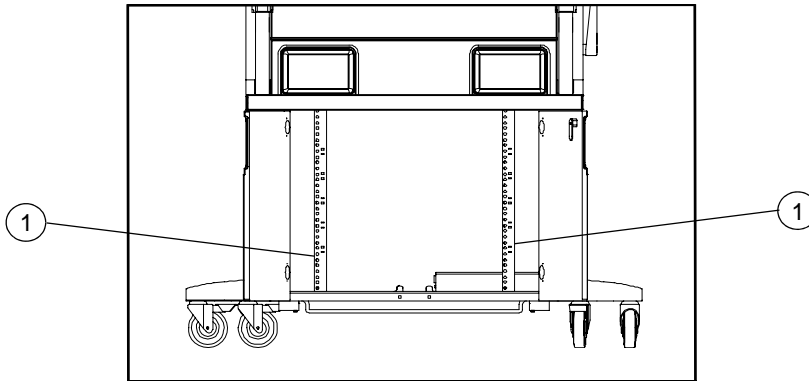
# Overview



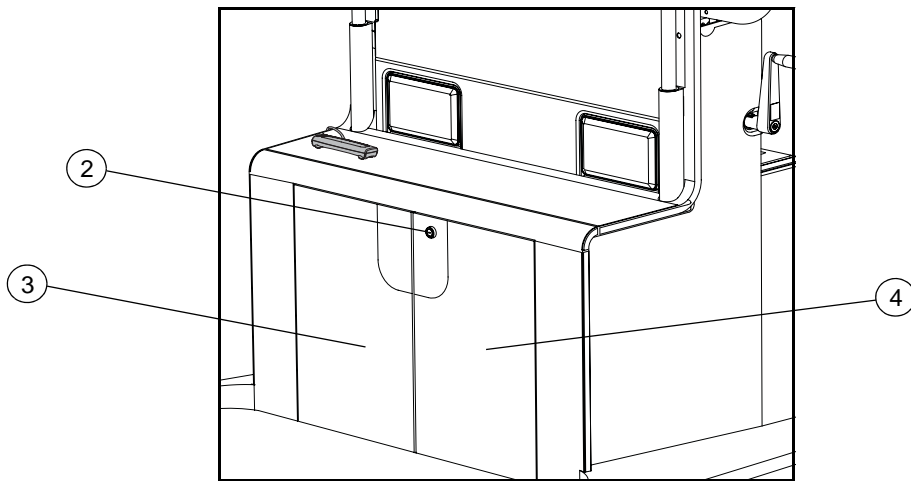
Item	Part No.	Qty	Description
1	20-01039-20	1	Assembly, power kit, mobile stand, North America
1	20-01047-20	1	Assembly, power kit, mobile stand, Europe
1	20-01048-20	1	Assembly, power kit, mobile stand, United Kingdom
1	20-01049-20	1	Assembly, power kit, mobile stand, Japan
1	20-01050-20	1	Assembly, power kit, mobile stand, Australia
1	20-01063-20	1	Assembly, power kit, mobile stand, South Africa
1	20-01051-20	1	Assembly, power kit, mobile stand, China
2	20-01040-20	1	Assembly, accessory kit, mobile stand
3	20-01096-20	1	Assembly, accessory kit, FSSBID 100H

# Front View

View with front doors open

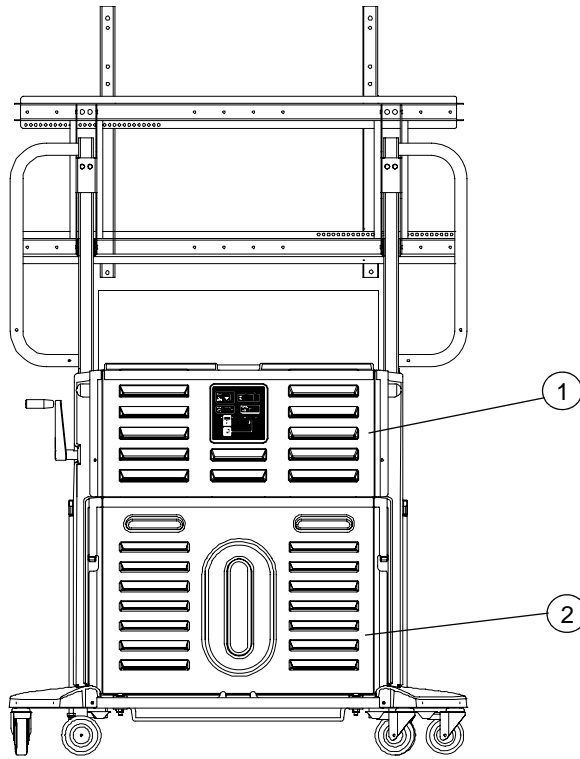


View with front doors closed



Item	Part No.	Qty	Description
1	51-00760-20	2	Rail, rack
2	30-01266-20	1	Lock, cam, door, includes two keys, cam not included
	30-01267-20	1	Cam, no offset
3	96-00070-20	1	Door, left
4	96-00071-21	1	Door, right

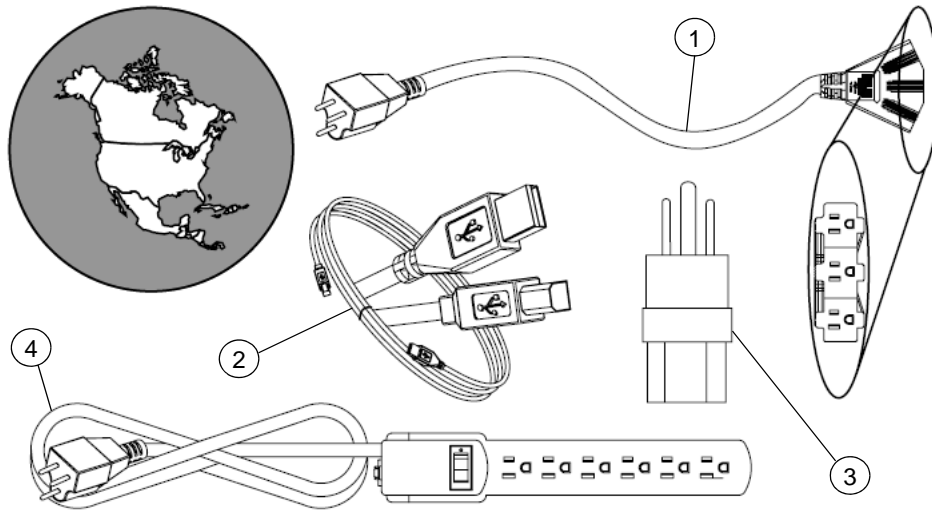
# Rear View



Item	Part No.	Qty	Description
1	52-00623-20	1	Panel, back, top
2	52-00624-20	1	Panel, back, bottom

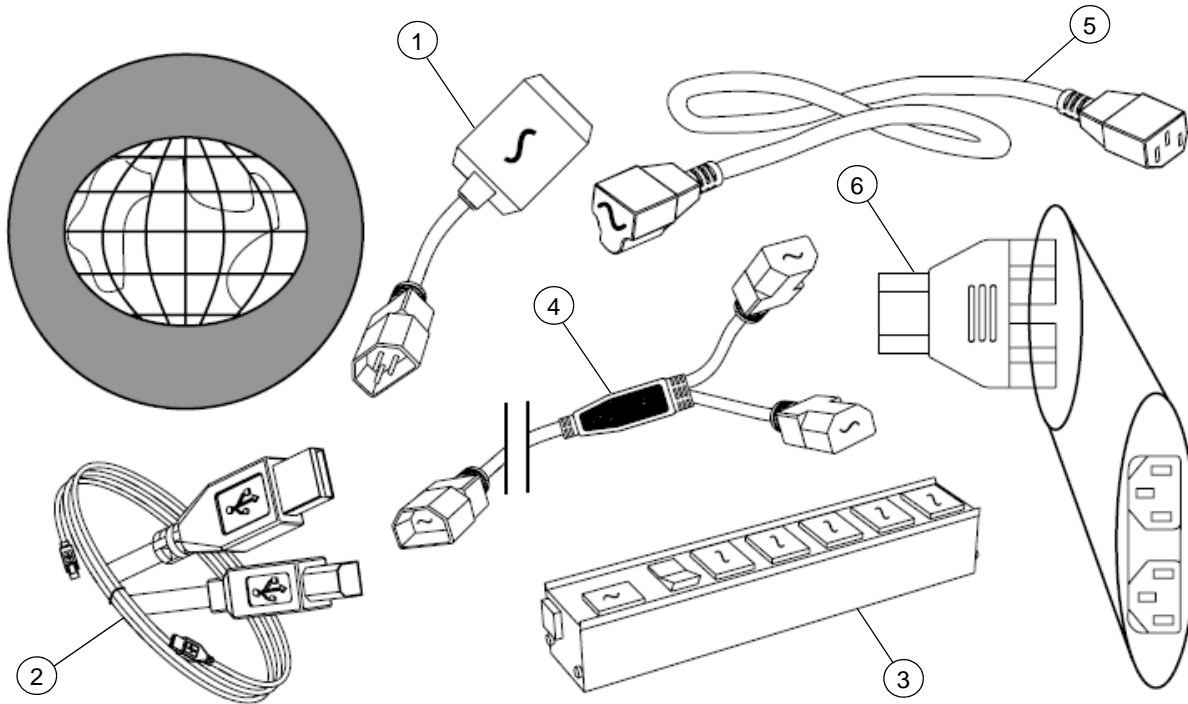


## North American Mobile Stand Power Kit (Part No. 20-01039-20)



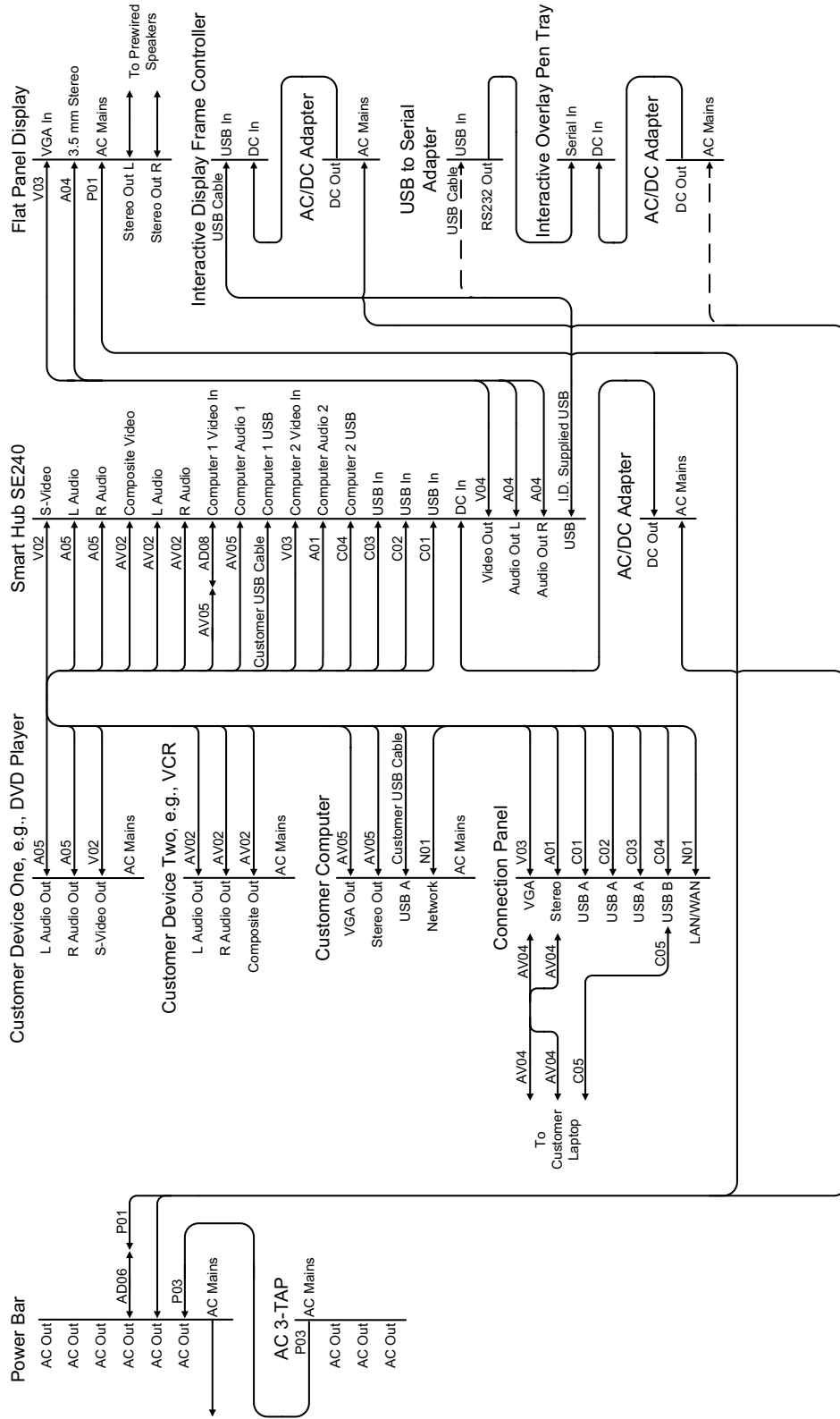
Item	Part No.	Qty	Description
1	93-00691-20	1	Cable, power, NEMA male to triple NEMA female, 2' (60 cm)
2	93-00678-20	1	Cable, USB, A-B, 6' (1.8 m)
3	93-00700-20	1	Adapter, power, IEC male to NEMA male
4	93-00690-20	1	Power bar, 6 outlet, NEMA

**International Mobile Stand Power Kit (United Kingdom - Part No. 20-01048-20, Europe - Part No. 20-01047-20, Japan - Part No. 20-01049-20, Australia - Part No. 20-01050-20, South Africa - Part No. 20-01063-20, China - Part No. 20-01051-20)**



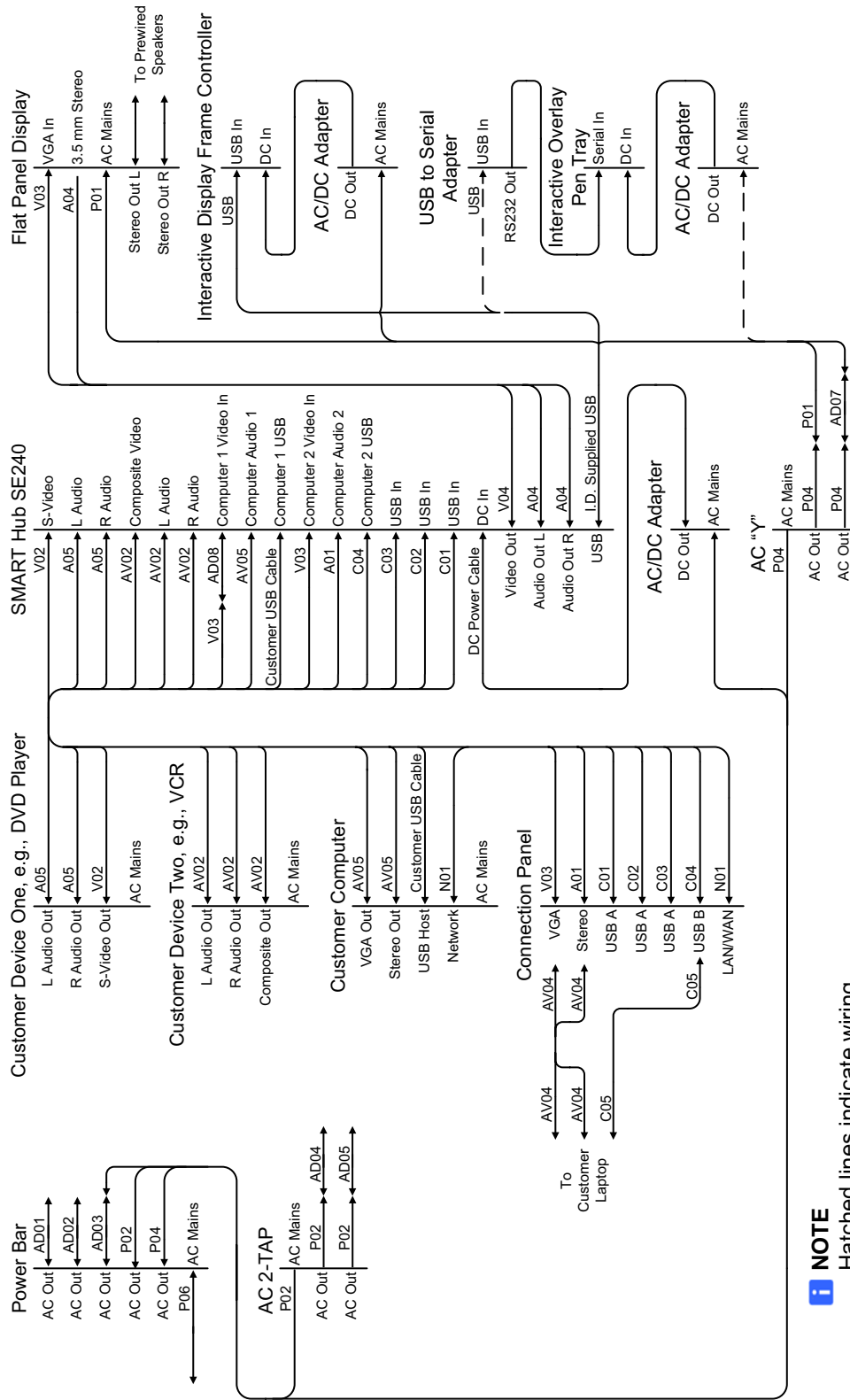
Item	Part No.	Qty	Description
1	93-00584-20	6	Cable, power, Europe receptacle to IEC female, 6" (15.2 cm)
1	93-00586-20	6	Cable, power, United Kingdom receptacle to IEC female, 6" (15.2 cm)
1	93-00606-20	6	Cable, power, Japan receptacle to IEC female, 1' (30.5 cm)
1	93-00587-20	6	Cable, power, Australia receptacle to IEC female, 1' (30.5 cm)
1	93-00607-20	6	Cable, power, South Africa receptacle to IEC female, 1' (30.5 cm)
1	93-00707-20	6	Cable, power, China receptacle to IEC female, 6" (15.2 cm)
2	93-00678-20	1	Cable, USB, A-B, 6' (1.8 m)
3	93-00692-20	1	Power bar, 5 outlet, IEC
4	93-00693-20	1	Cable, power, IEC female to dual IEC male, 3' (91 cm)
5	93-054	1	Cable, power, Europe, 8' (2.4 m)
5	93-055	1	Cable, power, United Kingdom, 8' (2.4 m)
5	93-00654-20	1	Cable, power, Japan, 8' (2.4 m)
5	93-056	1	Cable, power, Australia, 8' (2.4 m)
5	93-063	1	Cable, power, South Africa, 8' (2.4 m)
5	93-00708-20	1	Cable, power, China, 8' (2.4 m)
6	93-00706-20	1	Adapter, power, IEC female to dual IEC male

# Running Diagram FSSBID 100H (North America)



**NOTE**  
 Hatched lines indicate wiring if you install a SMART Board for Flat-Panel Displays interactive whiteboard.

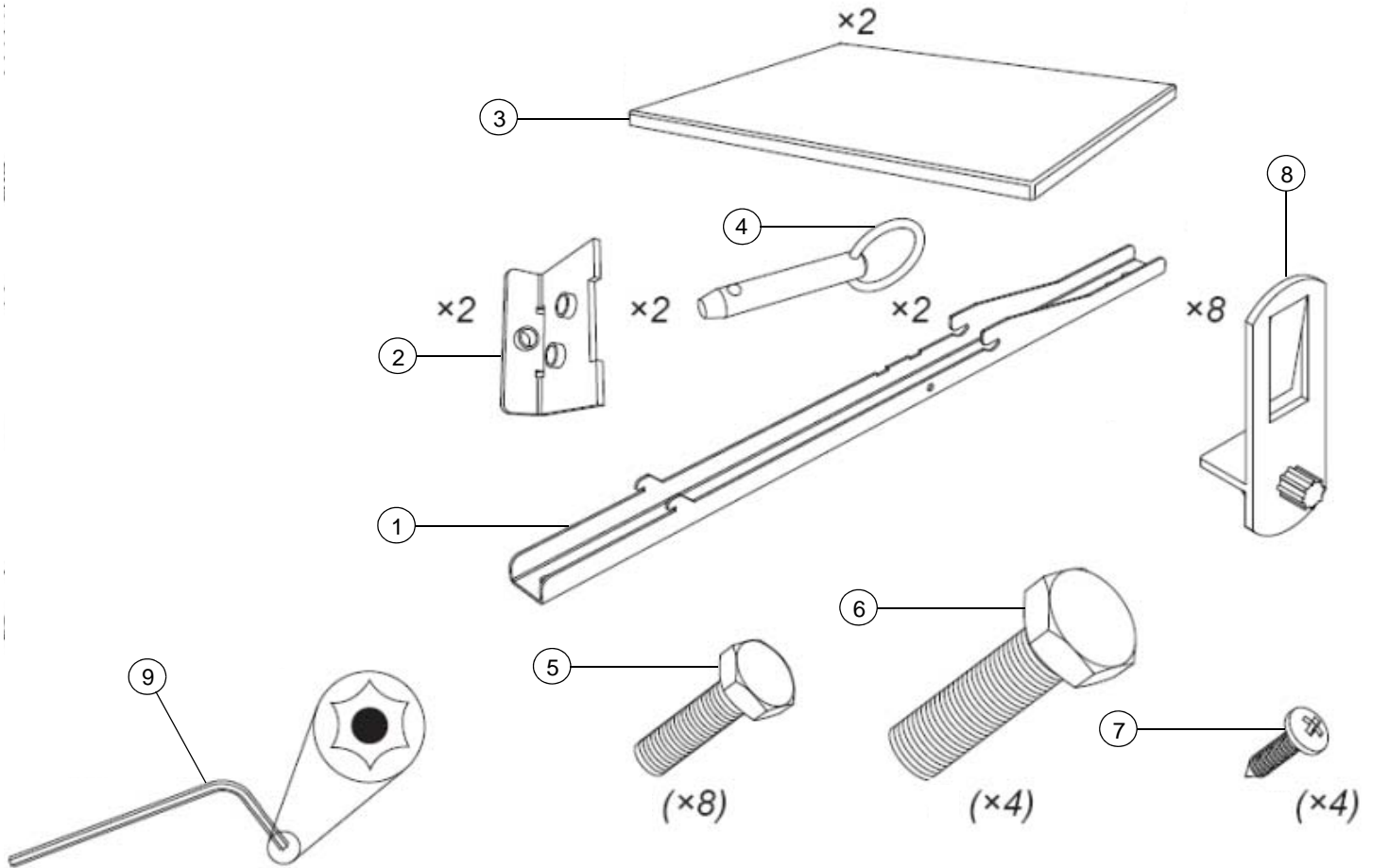
# Running Diagram FSSBID 100H (International)



**NOTE**  
 Hatched lines indicate wiring if you install a SMART Board for Flat-Panel Displays interactive whiteboard.

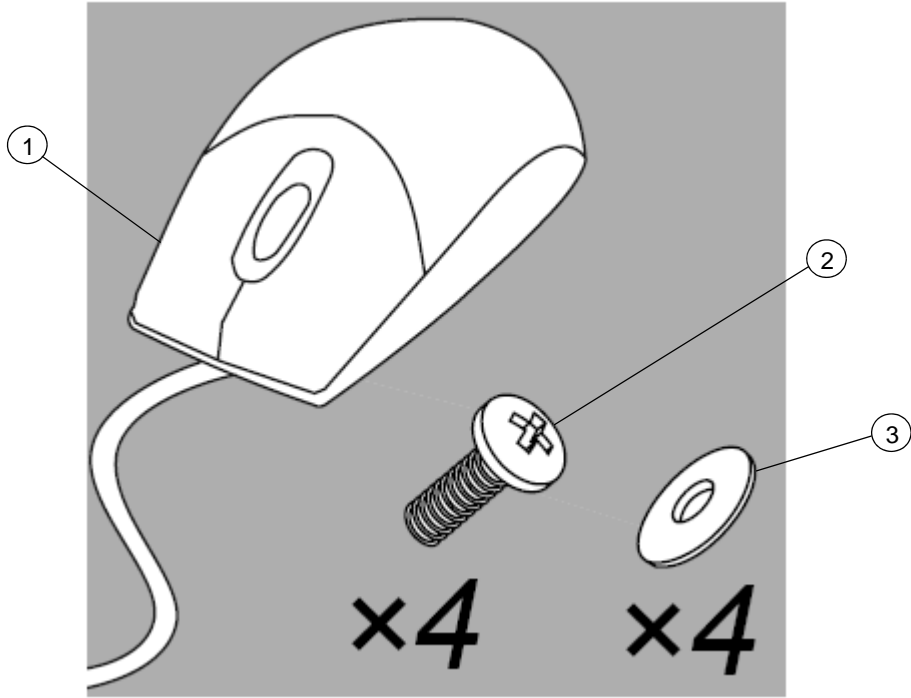
<b>Cable</b>	<b>From</b>	<b>To</b>	<b>Description</b>	<b>Length</b>	<b>SMART Part No.</b>
<b>Audio/Video</b>					
<b>AV02</b>	Device Two, e.g., VCR	Flat-Panel Display / SMART Hub SE240	Three-Plug RCA Male to Three-Plug RCA Male	8' (2.4 m)	93-00685-20
<b>AV04</b>	Laptop	Connection Panel	VGA Male + 3.5 mm Male to VGA Male + 3.5 mm Male	6' (1.8 m)	93-00699-20
<b>AV05</b>	Computer	SMART Hub SE240	VGA Male + 3.5 mm Male to VGA Male + 3.5 mm Male	6' (1.8 m)	93-00699-20
<b>Audio</b>					
<b>A01</b>	Connection Panel	Flat-Panel Display / SMART Hub SE240	3.5 mm Female Chassis to 3.5 mm Male	6' (1.8 m)	93-00681-20
<b>A02</b>	Flat-Panel Display	Speaker	16 AWG Speaker Cable	8 1/2' (2.6 m)	93-00689-20
<b>A03</b>	Flat-Panel Display	Speaker	16 AWG Speaker Cable	8 1/2' (2.6 m)	93-00689-20
<b>A04</b>	SMART Hub SE240	Flat-Panel Display	Two-Plug RCA Male to 3.5 mm Male	6' (1.8 m)	93-00513-20
<b>A05</b>	Device One, e.g., DVD/Blu-ray Player	SMART Hub SE240	Two-Plug RCA Male to Two-Plug RCA Male	6' (1.8 m)	93-00139-20
<b>Video</b>					
<b>V02</b>	Device One, e.g., DVD/Blu-ray Player	SMART Hub SE240	S-Video Male to S-Video Male	6' (1.8 m)	93-00202-20
<b>V03</b>	SMART Hub SE240	Connection Panel	DVI Male to VGA Female Chassis	6' (1.8 m)	93-00608-20
<b>V04</b>	SMART Hub SE240	Flat-Panel Display	DVI Male to VGA Male	6' (1.8 m)	93-00530-00
<b>Control</b>					
<b>C01</b>	SMART Hub SE240	Connection Panel	USB A Male to USB A Female Chassis	6' (1.8 m)	93-00677-20
<b>C02</b>	SMART Hub SE240	Connection Panel	USB A Male to USB A Female Chassis	6' (1.8 m)	93-00687-20
<b>C03</b>	SMART Hub SE240	Connection Panel	USB A Male to USB A Female Chassis	6' (1.8 m)	93-00688-20
<b>C04</b>	Connection Panel (Touch)	SMART Hub SE240	USB B Female Chassis to USB B Male	20" (51 cm)	93-00679-20
<b>C05</b>	Laptop	Connection Panel	USB A Male to USB B Male	6' (1.8 m)	93-00678-20
<b>Network</b>					
<b>N01</b>	Connection Panel	SMART Hub SE240	Cat5e RJ45 Male to Cat5e RJ45 Male	4' (1.2 m)	93-00682-20
<b>Power</b>					
<b>P01</b>	Flat-Panel Display	Power Bar	IEC-C13 to IEC-C14	13' (4 m)	93-00705-20

## Mobile Stand Accessory Kit Assembly (Part No. 20-01040-20)



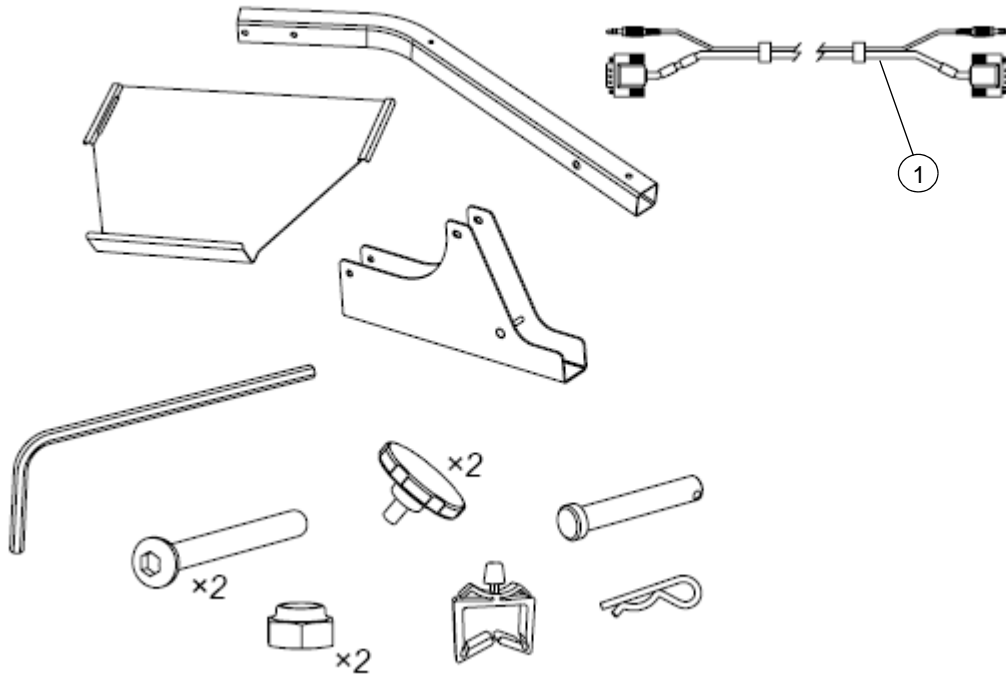
Item	Part No.	Qty	Description
1	51-00746-20	2	Bracket, panel
2	51-00747-20	2	Bracket, panel, locking
3	96-00068-20	2	Shelf, inside
4	30-01235-20	2	Pin, quick release, 5/16"
5	30-01460-20	8	Screw, M6 x 14 mm, hex, cap head <b>NOTE:</b> 4 pieces of this item are used to attach the SBID6052i to the stand.
6	30-01454-20	4	Screw, M8 x 16 mm, hex, cap head <b>NOTE:</b> 4 pieces of this item are used to attach the SBID8070i to the stand.
7	30-01214-20	4	Screw, No. 8 x 5/8", Phillips, pan head, self-tapping
8	30-01256-20	8	Clip, 1/2" thick shelf, plastic, clear
9	78-00060	1	Hex key, T15, TORX™

**FSSBID 100H Accessory Kit Assembly (Part No. 20-01096-20)**



**NOTE:** Components not available separately.

## Optional Laptop Shelf (Part No. FSSBID LTS)

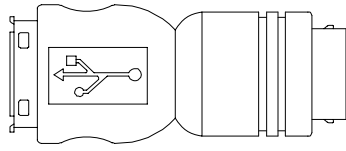


Item	Part No.	Qty	Description
1	93-00699-20	1	Cable, video and audio, HD15 male to HD15 male, 3.5 mm male to 3.5 mm male, 6' (1.8 m)

**NOTE:** All other components not available separately.

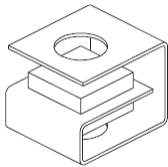


**Optional USB A to B Adapter for 300 Series Interactive Display Overlays and FSSBID 100 (Part No. ADP USB AB)**



*USB Type-A Female to  
USB Type-B Female Adapter*

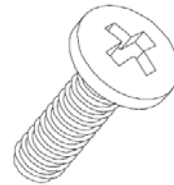
**Optional Cabinet Conversion Kit for a Rack Mount Configuration (Part No. FSSBID RACK MT)**



x16



x16



x16

**NOTE:** Components not available separately.