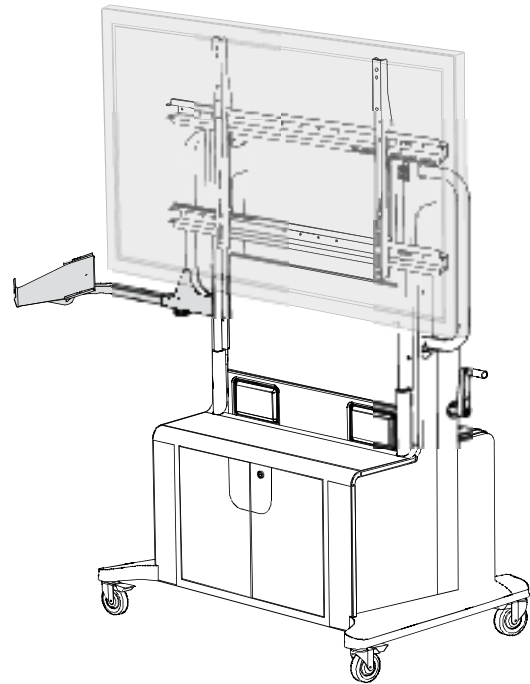


SMART™



Service Parts Diagrams

**For Model:
FSSBID 100
FSSBID LTS
FSSBID RACK MT
ADP USB AB**

Service Parts Diagrams Revision History

Revision 1 - September, 2009

- New document

Revision 2 - September, 2011

- Change 30-01215-20 to 30-01266-20 and 20-01267-20
- Change 96-00071-20 to 96-00071-21
- Change 87-00102-00 to 87-00110-20
- Remove 30-01244-20
- Add 30-01454-20 and 30-01460-20

Revision 3 - June, 2012

- Remove 57-00738-00, 87-00110-20, 30-01236-20, 93-00686-20 and 30-01182-20

Standard Warranty Terms

Base product: One-year limited equipment warranty

First Customer Ship: March, 2009

SMART Technologies

3636 Research Road NW

Calgary, AB T2L 1Y1

CANADA

Support +1.403.228.5940 or Toll Free 1.866.518.6791 (Canada/U.S.)

Support Fax +1.403.806.1256

www.smarttech.com/contactserviceparts www.smarttech.com

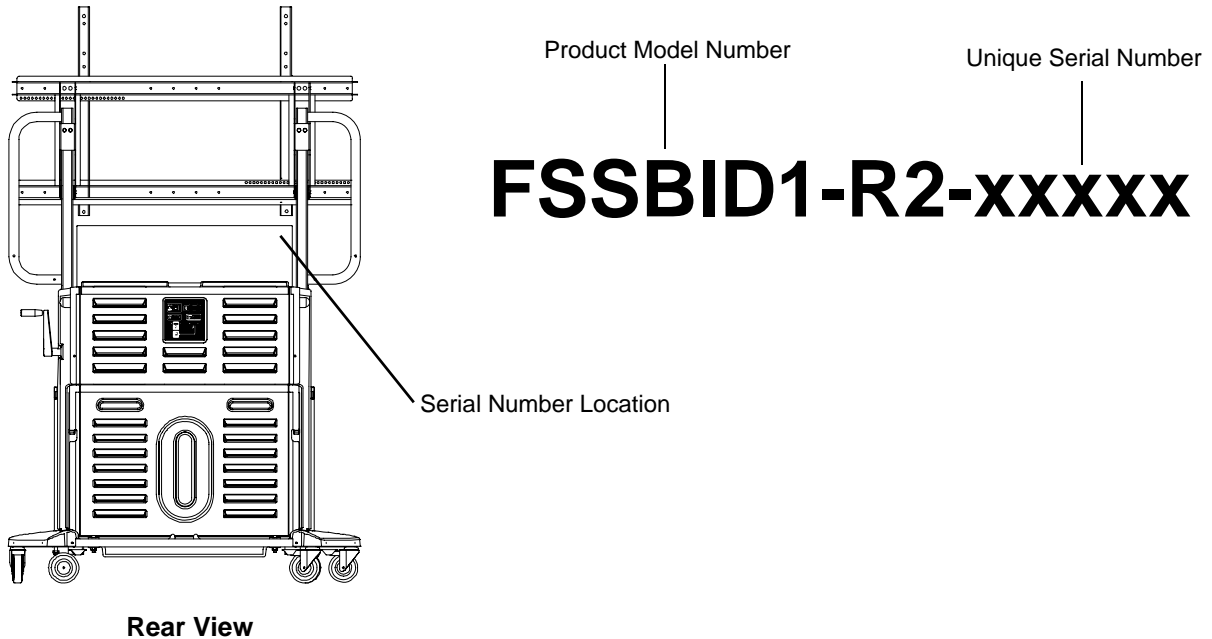


Service Parts Diagrams for the FSSBID 100, FSSBID LTS, FSSBID RACK MT and ADP USB AB

- Identifying Your Product Using the Serial Number 1
- Ordering Parts 1
- Overview 2
- Front View 3
- Rear View 4
- North American Mobile Stand Power Kit (Part No. 20-01039-20) 5
- International Mobile Stand Power Kit (United Kingdom - Part No. 20-01048-20, Europe - Part No. 20-01047-20, Japan - Part No. 20-01049-20, Australia - Part No. 20-01050-20, South Africa - Part No. 20-01063-20, China - Part No. 20-01051-20) 6
- Running Diagram FSSBID 100 (North America) 7
- Running Diagram FSSBID 100 (International) 8
- Mobile Stand Accessory Kit Assembly (Part No. 20-01040-20) 10
- Optional Laptop Shelf (Part No. FSSBID LTS) 11
- Optional USB A to B Adapter for 300 Series Interactive Display Overlays and FSSBID 100 (Part No. ADP USB AB) 12
- Optional Cabinet Conversion Kit for a Rack Mount Configuration (Part No. FSSBID RACK MT) 12

Identifying Your Product Using the Serial Number

To make sure that you have the correct service parts diagrams, you must verify the serial number of your SMART Mobile stand. The serial number will be located on the back of the stand. An example of the serial number format is shown below.



Ordering Parts

Customers

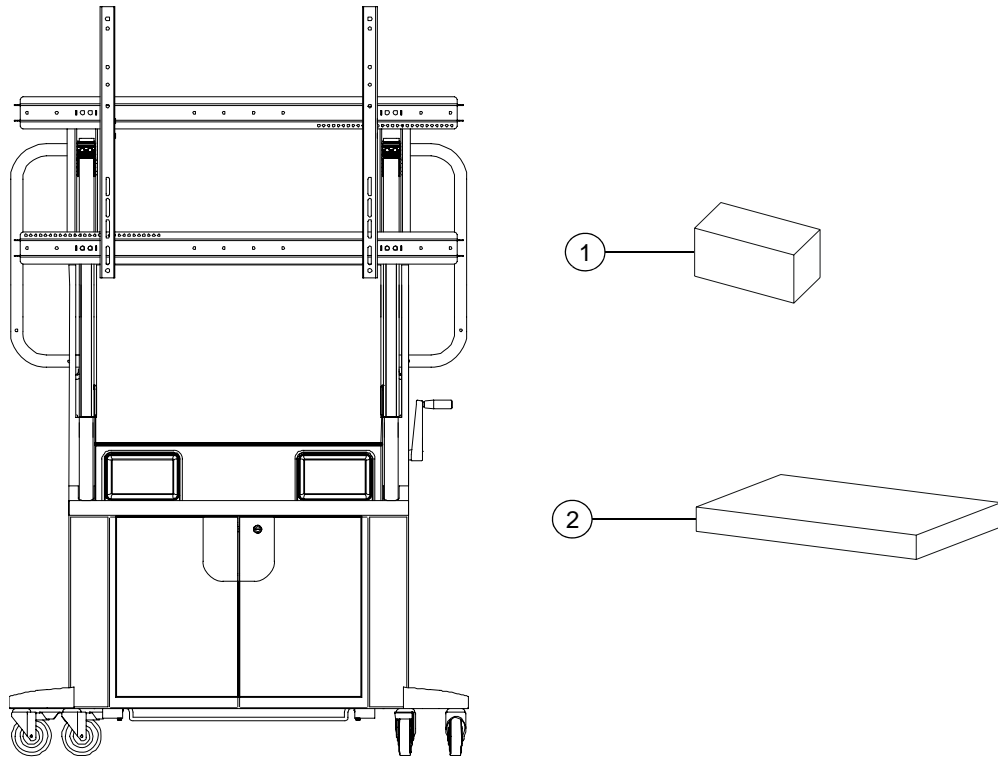
To order any of the parts in these service parts diagrams, contact your local reseller. To find a reseller near you, visit www.smarttech.com/where.

Dealers and Distributors

For specific technical and pricing enquiries in regards to these diagrams please contact our service parts department. Pricing is also available on-line via the SOURCE website (source.smarttech.com).

Web Form: www.smarttech.com/contactserviceparts
Phone: 1.888.42.SMART
International: +1.403.245.0333

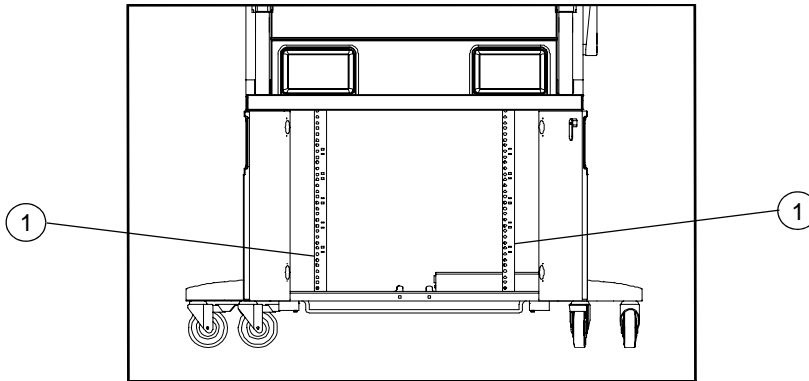
Overview



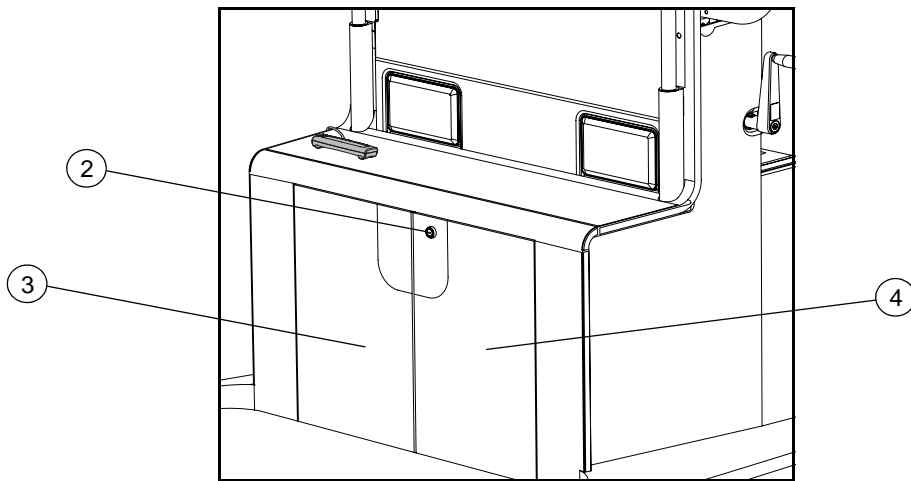
Item	Part No.	Qty	Description
1	20-01039-20	1	Assembly, power kit, mobile stand, North America
1	20-01047-20	1	Assembly, power kit, mobile stand, Europe
1	20-01048-20	1	Assembly, power kit, mobile stand, United Kingdom
1	20-01049-20	1	Assembly, power kit, mobile stand, Japan
1	20-01050-20	1	Assembly, power kit, mobile stand, Australia
1	20-01063-20	1	Assembly, power kit, mobile stand, South Africa
1	20-01051-20	1	Assembly, power kit, mobile stand, China
2	20-01040-20	1	Assembly, accessory kit, mobile stand

Front View

View with front doors open

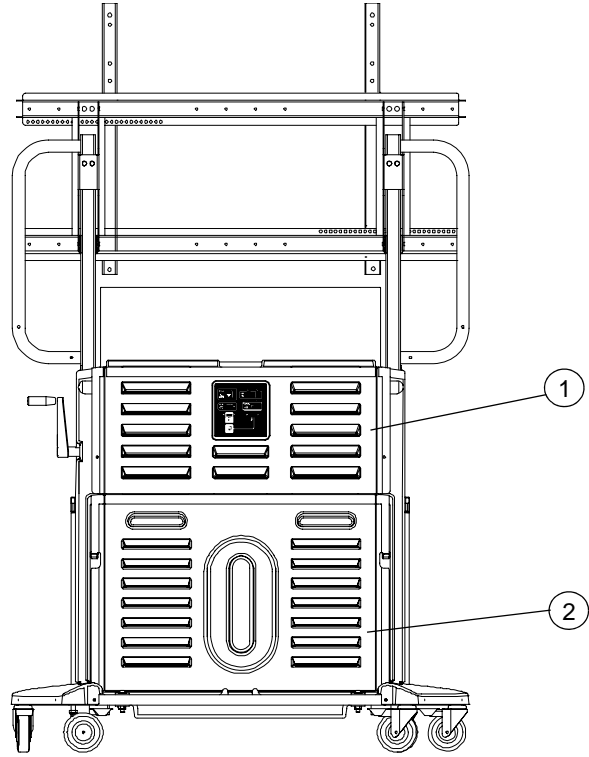


View with front doors closed



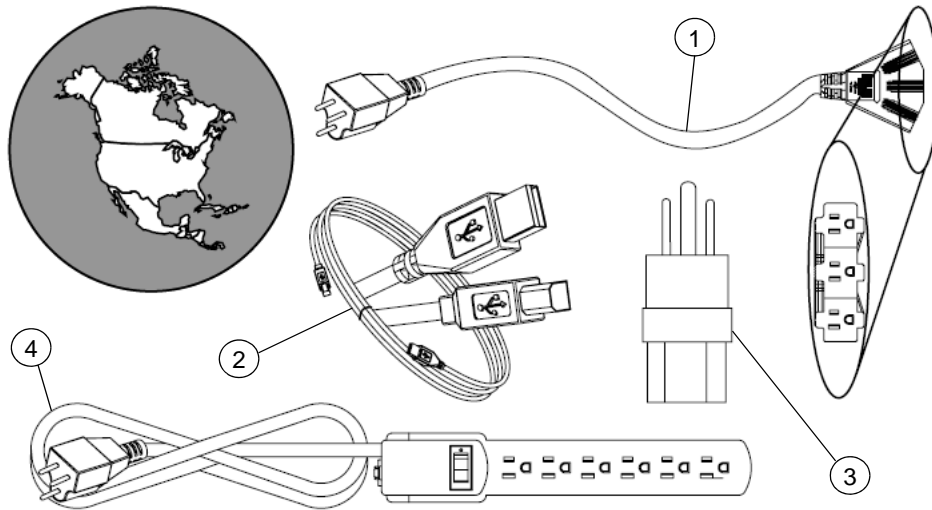
Item	Part No.	Qty	Description
1	51-00760-20	2	Rail, rack
2	30-01266-20	1	Lock, cam, door, includes two keys, cam not included
	30-01267-20	1	Cam, no offset
3	96-00070-20	1	Door, left
4	96-00071-21	1	Door, right

Rear View



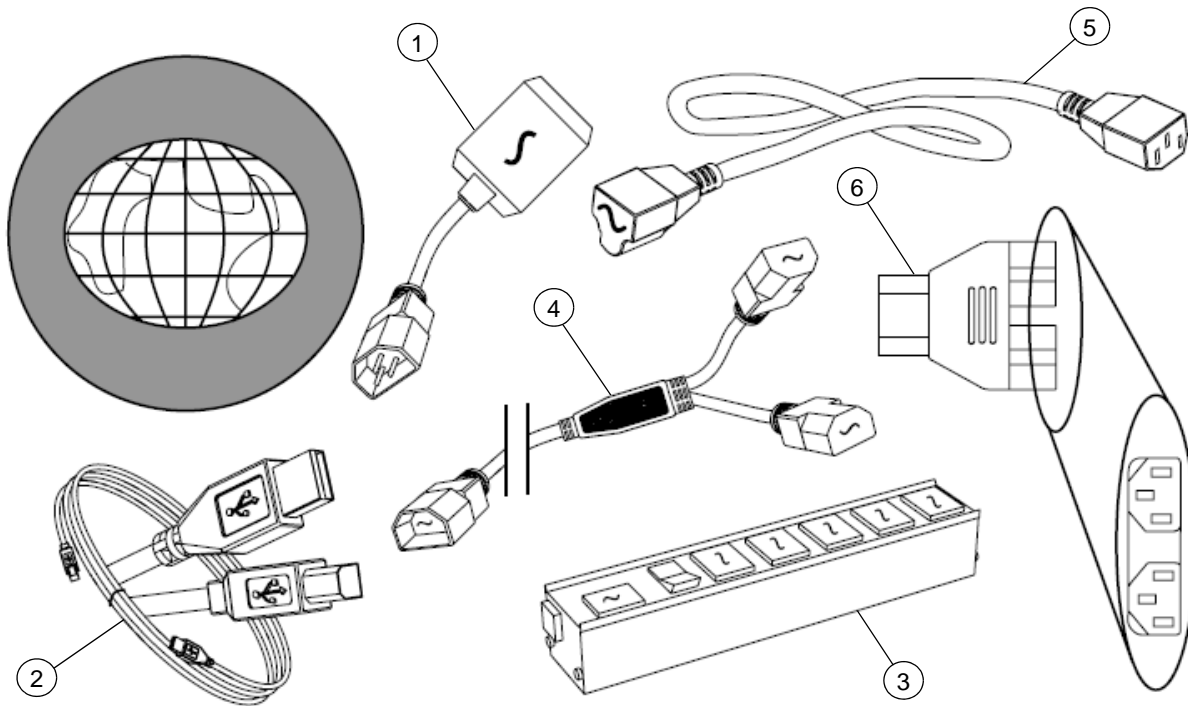
Item	Part No.	Qty	Description
1	52-00623-20	1	Panel, back, top
2	52-00624-20	1	Panel, back, bottom

North American Mobile Stand Power Kit (Part No. 20-01039-20)



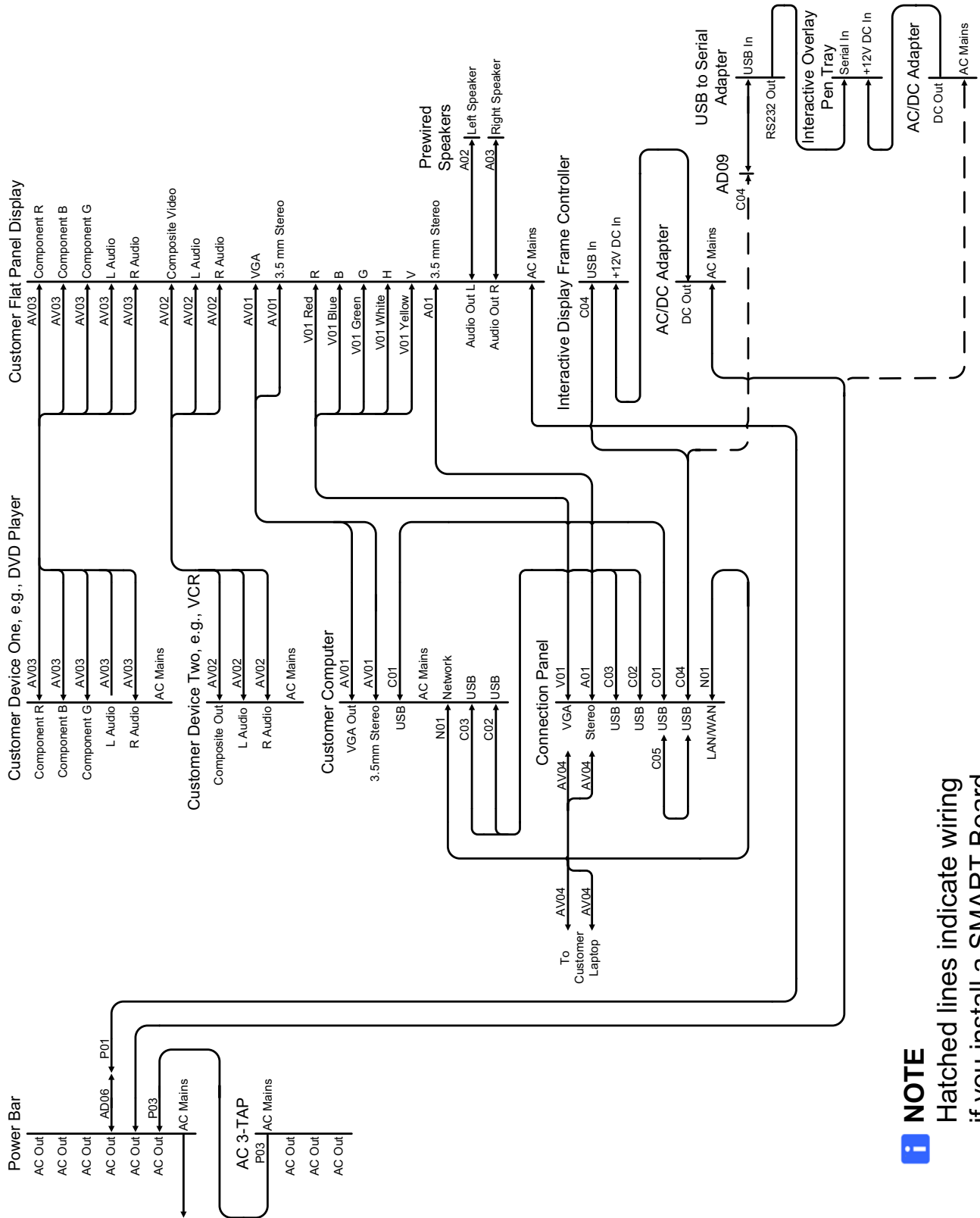
Item	Part No.	Qty	Description
1	93-00691-20	1	Cable, power, NEMA male to triple NEMA female, 2' (60 cm)
2	93-00678-20	1	Cable, USB, A-B, 6' (1.8 m)
3	93-00700-20	1	Adapter, power, IEC male to NEMA male
4	93-00690-20	1	Power bar, 6 outlet, NEMA

International Mobile Stand Power Kit (United Kingdom - Part No. 20-01048-20, Europe - Part No. 20-01047-20, Japan - Part No. 20-01049-20, Australia - Part No. 20-01050-20, South Africa - Part No. 20-01063-20, China - Part No. 20-01051-20)

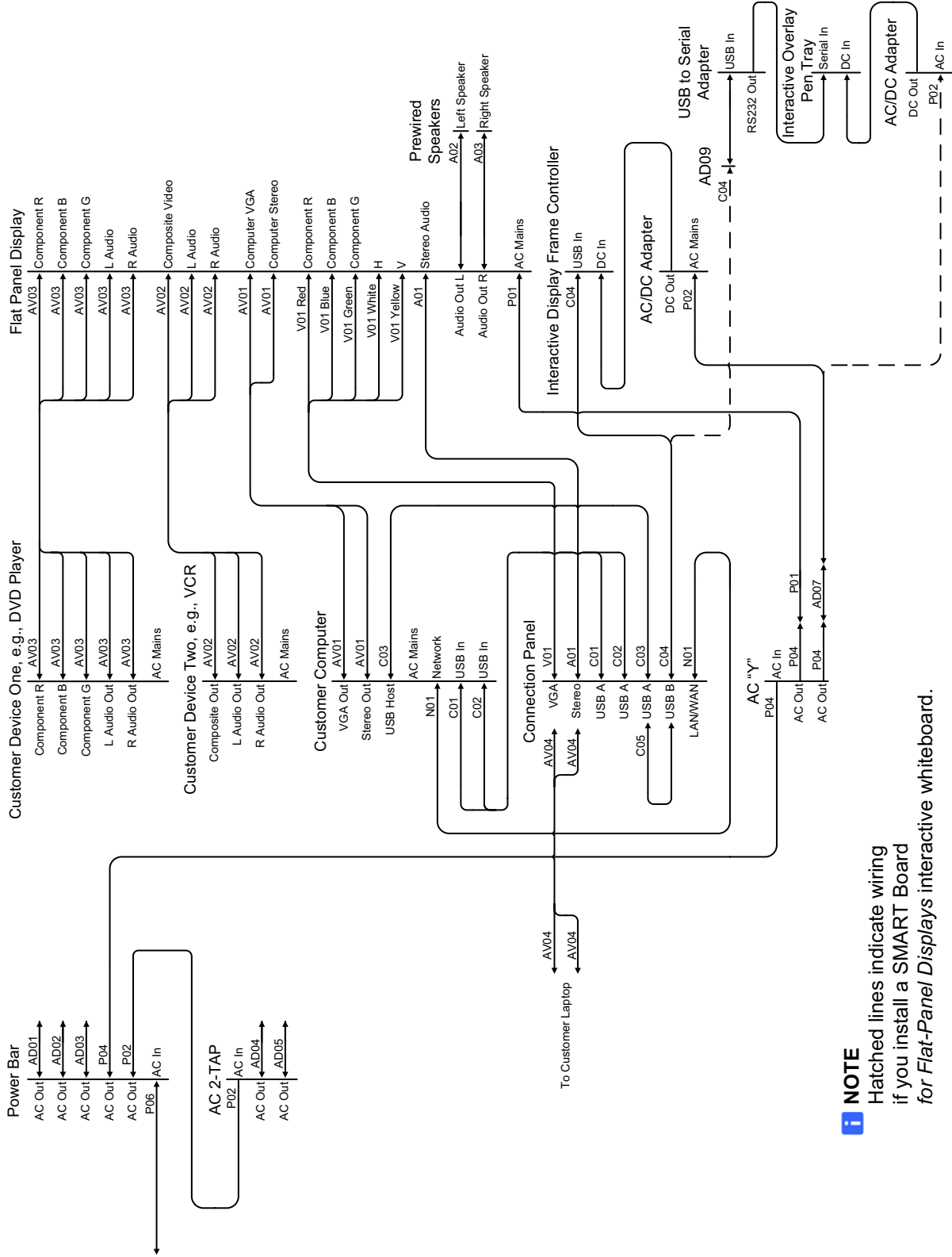


Item	Part No.	Qty	Description
1	93-00584-20	6	Cable, power, Europe receptacle to IEC female, 6" (15.2 cm)
1	93-00586-20	6	Cable, power, United Kingdom receptacle to IEC female, 6" (15.2 cm)
1	93-00606-20	6	Cable, power, Japan receptacle to IEC female, 1' (30.5 cm)
1	93-00587-20	6	Cable, power, Australia receptacle to IEC female, 1' (30.5 cm)
1	93-00607-20	6	Cable, power, South Africa receptacle to IEC female, 1' (30.5 cm)
1	93-00707-20	6	Cable, power, China receptacle to IEC female, 6" (15.2 cm)
2	93-00678-20	1	Cable, USB, A-B, 6' (1.8 m)
3	93-00692-20	1	Power bar, 5 outlet, IEC
4	93-00693-20	1	Cable, power, IEC female to dual IEC male, 3' (91 cm)
5	93-054	1	Cable, power, Europe, 8' (2.4 m)
5	93-055	1	Cable, power, United Kingdom, 8' (2.4 m)
5	93-00654-20	1	Cable, power, Japan, 8' (2.4 m)
5	93-056	1	Cable, power, Australia, 8' (2.4 m)
5	93-063	1	Cable, power, South Africa, 8' (2.4 m)
5	93-00708-20	1	Cable, power, China, 8' (2.4 m)
6	93-00706-20	1	Adapter, power, IEC female to dual IEC male

Running Diagram FSSBID 100 (North America)



Running Diagram FSSBID 100 (International)

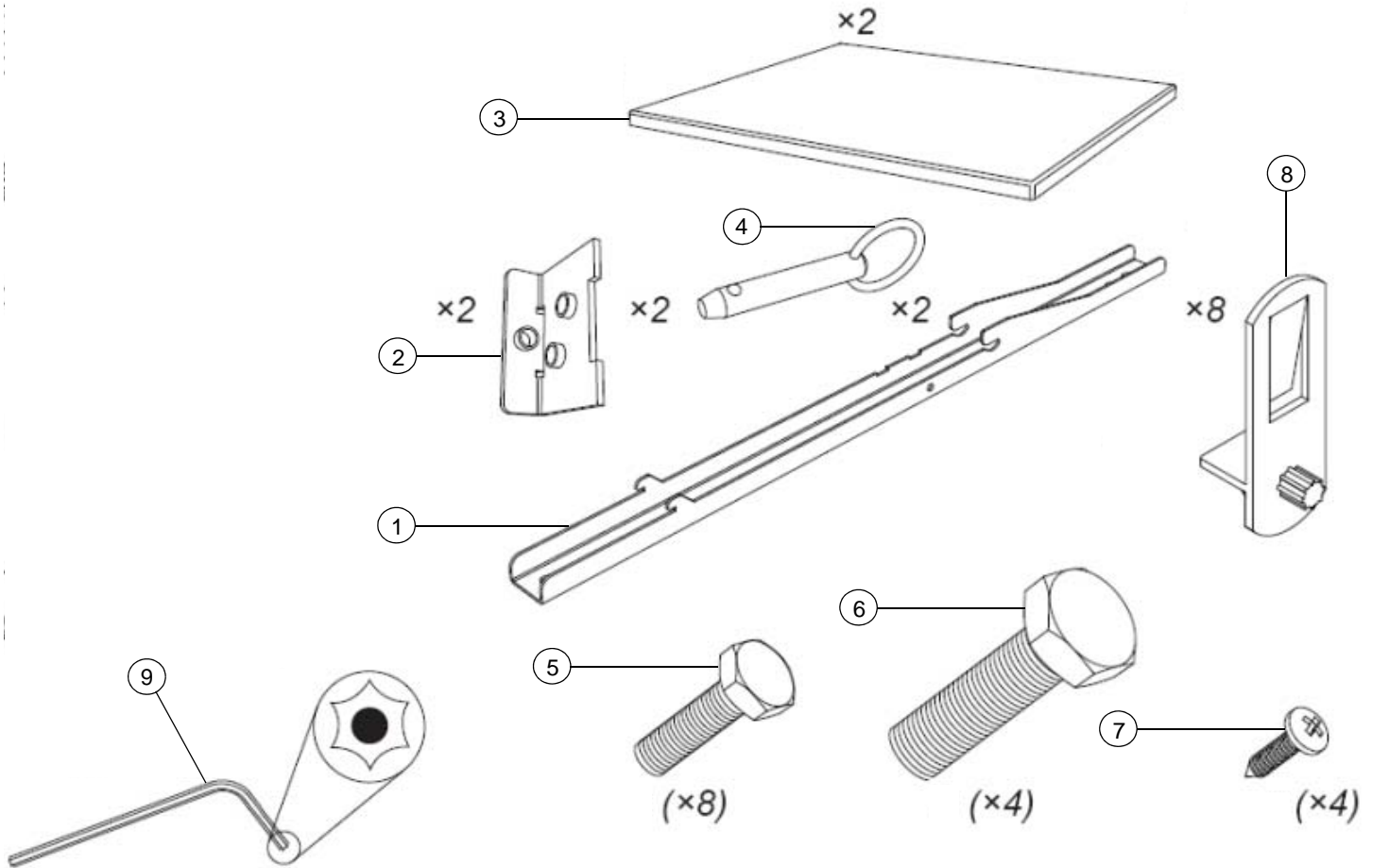


NOTE

Hatched lines indicate wiring if you install a SMART Board for Flat-Panel Displays interactive whiteboard.

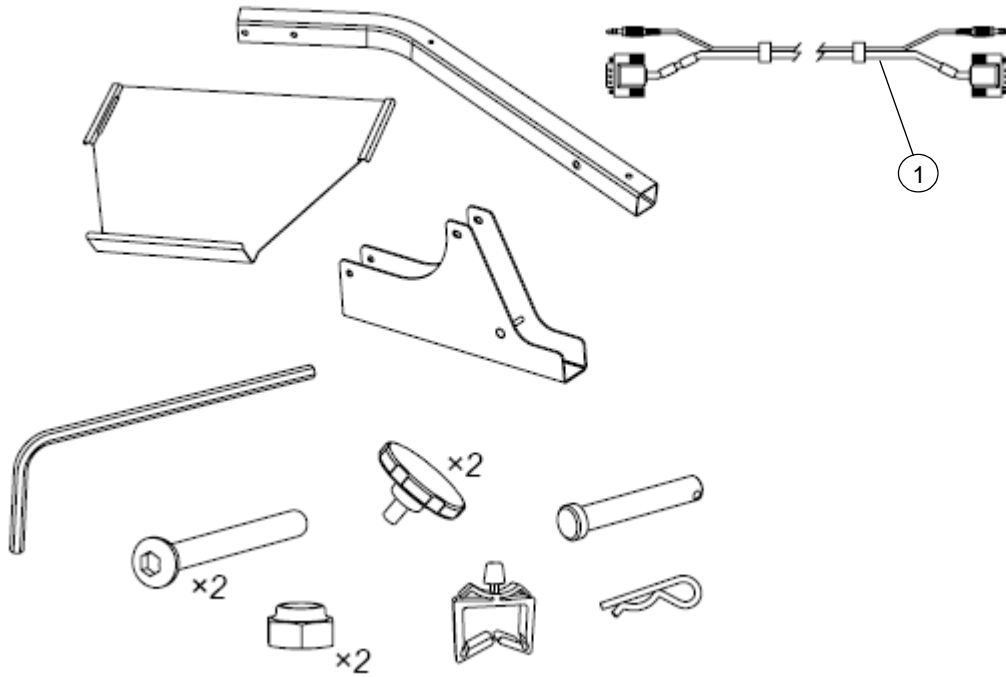
Cable	From	To	Description	Length	SMART Part No.
Audio/Video					
AV01	Computer	Flat-Panel Display	VGA Male + 3.5 mm Male to VGA Male + 3.5 mm Male	10' (3 m)	93-00683-20
AV02	Device Two, e.g., VCR	Flat-Panel Display	Three-Plug RCA Male to Three-Plug RCA Male	8' (2.4 m)	93-00685-20
AV03	Device One, e.g., DVD/Blu-ray Player	Flat-Panel Display	Five-Plug RCA Male to Five-Plug RCA Male	6' (1.8 m)	93-00684-20
AV04	Laptop	Connection Panel	VGA Male + 3.5 mm Male to VGA Male + 3.5 mm Male	6' (1.8 m)	93-00699-20
Audio					
A01	Connection Panel	Flat-Panel Display	3.5 mm Female Chassis to 3.5 mm Male	6' (1.8 m)	93-00681-20
A02	Flat-Panel Display	Speaker	16 AWG Speaker Cable	8 1/2' (2.6 m)	93-00689-20
A03	Flat-Panel Display	Speaker	16 AWG Speaker Cable	8 1/2' (2.6 m)	93-00689-20
Video					
V01	Connection Panel	Flat-Panel Display	VGA Female Chassis to Five-Plug BNC RGBHV Male	6' (1.8 m)	93-00680-20
Control					
C01	Computer	Connection Panel	USB A Male to USB A Female Chassis	6' (1.8 m)	93-00677-20
C02	Computer	Connection Panel	USB A Male to USB A Female Chassis	6' (1.8 m)	93-00687-20
C03	Computer	Connection Panel	USB A Male to USB A Female Chassis	6' (1.8 m)	93-00688-20
C04	Connection Panel (Touch)	AD09 / Interactive Display Frame Controller	USB B Female Chassis to USB B Male	20" (51 cm)	93-00679-20
C05	Connection Panel	Connection Panel	USB A Male to USB B Male	6' (1.8 m)	93-00678-20
Network					
N01	Connection Panel	Computer	Cat5e RJ45 Male to Male	4' (1.2 m)	93-00682-20
Adapters					
AD09	C04	Interactive Overlay's USB to Serial Adapter	USB B Female to USB A Female	N/A	ADP USB AB (Must be purchased separately)
Power					
P01	Flat-Panel Display	Power Bar	IEC-C13 to IEC-C14	13' (4 m)	93-00705-20

Mobile Stand Accessory Kit Assembly (Part No. 20-01040-20)



Item	Part No.	Qty	Description
1	51-00746-20	2	Bracket, panel
2	51-00747-20	2	Bracket, panel, locking
3	96-00068-20	2	Shelf, inside
4	30-01235-20	2	Pin, quick release, 5/16"
5	30-01460-20	8	Screw, M6 x 14 mm, hex, cap head NOTE: 4 pieces of this item are used to attach the SBID6052i to the stand.
6	30-01454-20	4	Screw, M8 x 16 mm, hex, cap head NOTE: 4 pieces of this item are used to attach the SBID8070i to the stand.
7	30-01214-20	4	Screw, No. 8 x 5/8", Phillips, pan head, self-tapping
8	30-01256-20	8	Clip, 1/2" thick shelf, plastic, clear
9	78-00060	1	Hex key, T15, TORX™

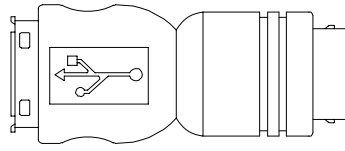
Optional Laptop Shelf (Part No. FSSBID LTS)



Item	Part No.	Qty	Description
1	93-00699-20	1	Cable, video and audio, HD15 male to HD15 male, 3.5 mm male to 3.5 mm male, 6' (1.8 m)

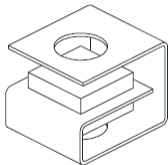
NOTE: All other components not available separately.

Optional USB A to B Adapter for 300 Series Interactive Display Overlays and FSSBID 100 (Part No. ADP USB AB)

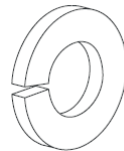


*USB Type-A Female to
USB Type-B Female Adapter*

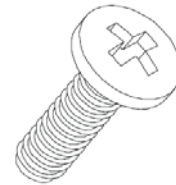
**Optional Cabinet Conversion Kit for a Rack Mount Configuration
(Part No. FSSBID RACK MT)**



x16



x16



x16

NOTE: Components not available separately.