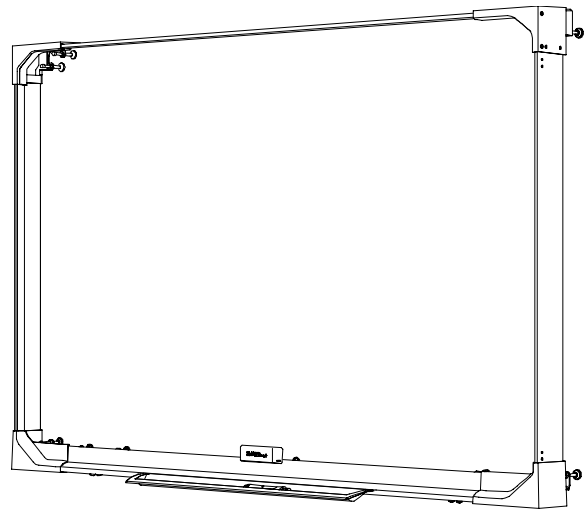


# SMART™



## *Service Parts Diagrams*

**For Model:**

**PX442**

**PX450**

**PX452**

**PX458**

**PX460**

**PX463**

**PX465**

## Service Parts Diagrams Revision History

### Revision 1 - April, 2009

- New document

### Revision 2 - October, 2009

- Remove 20-00938-20
- Remove 52-00433-20
- Add IDF-PEN
- Add IDF-PEN NIBS
- Add IDF-3CPEN
- Add reference to PX463

### Revision 3 - May, 2010

- Change 20-00953-20 to 20-00953-21
- Change 20-00952-20 to 20-00952-21

### Revision 3 - April, 2012

- Change 93-00507-00 to 93-00828-20

## Standard Warranty Terms

Base product: Two-year limited equipment warranty

First Customer Ship: September, 2008

---

### SMART Technologies

3636 – Research Road NW

Calgary, AB T2L 1Y1

CANADA

Support +1.403.228.5940 or Toll Free 1.866.518.6791 (Canada/U.S.)

Support Fax +1.403.806.1256

[www.smarttech.com/contactserviceparts](http://www.smarttech.com/contactserviceparts) [www.smarttech.com](http://www.smarttech.com)



# Service Parts Diagrams for the SMART Board interactive display frames

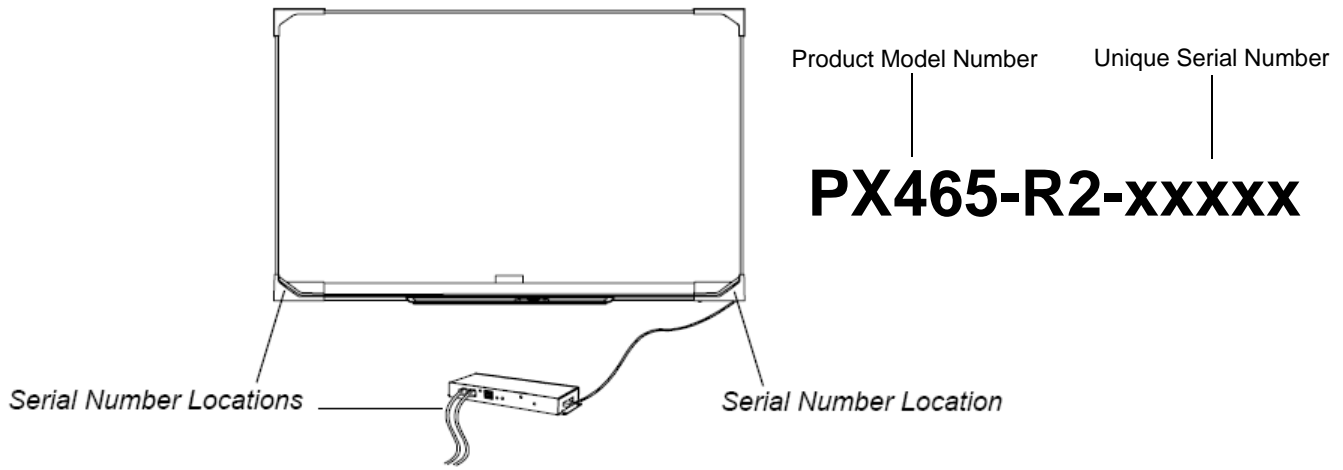
---

Identifying Your Product Using the Serial Number ..... 1  
Ordering Parts ..... 1  
PX442/PX450/PX452/PX458/PX460/PX463/PX465 Parts ..... 2



## Identifying Your Product Using the Serial Number

To make sure that you have the correct service parts diagrams, you must verify the serial number of your SMART Board interactive display frame. The serial number is located in three locations: on the bottom right and bottom left edge of the interactive display frame, and on the controller box. An example of the serial number format is shown below.



## Ordering Parts

### Customers

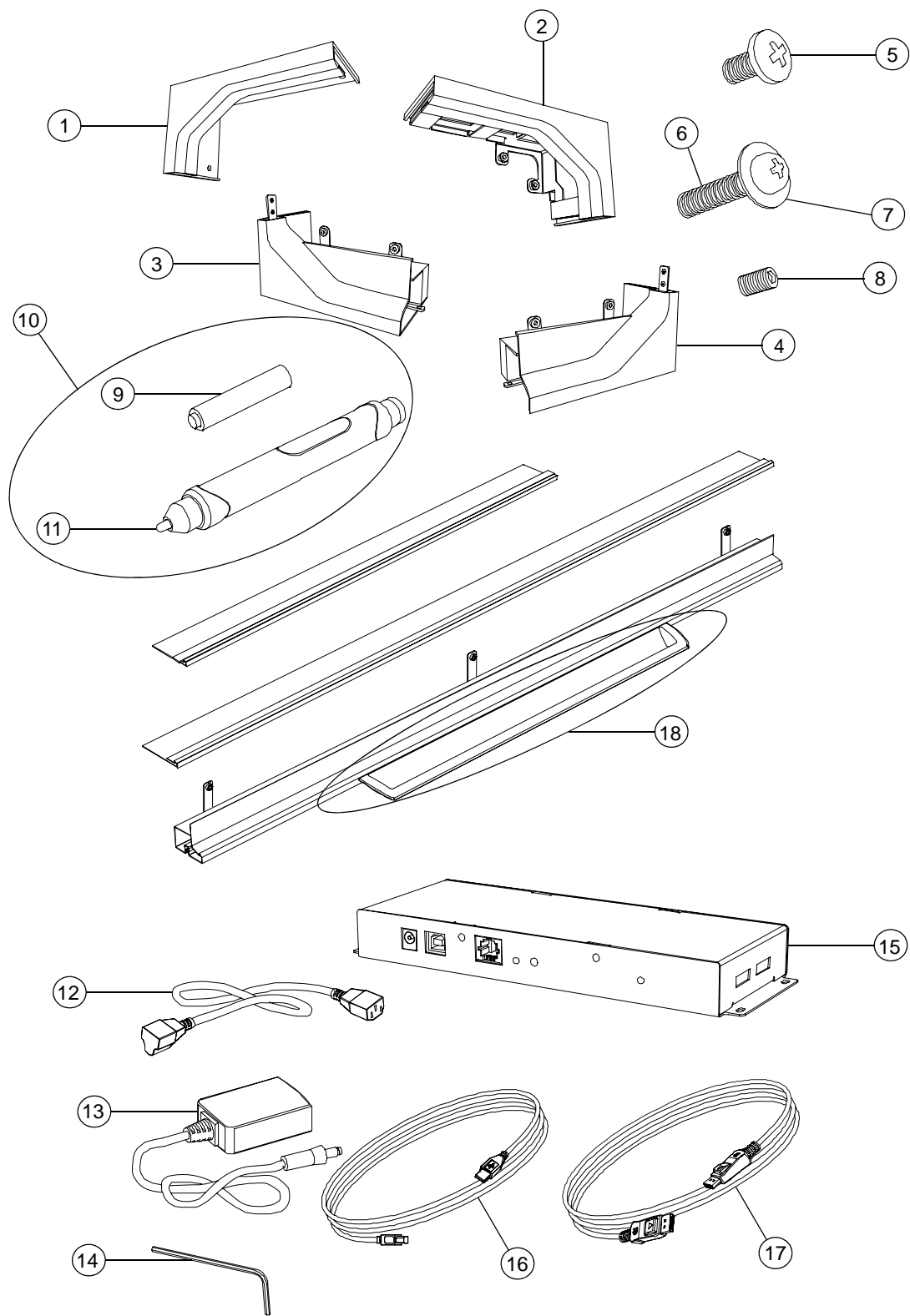
To order any of the parts in these service parts diagrams, contact your local reseller. To find a reseller near you, visit [www.smarttech.com/where](http://www.smarttech.com/where).

### Dealers and Distributors

For specific technical and pricing enquiries in regards to these diagrams please contact our service parts department. Pricing is also available on-line via the SOURCE website ([source.smarttech.com](http://source.smarttech.com)).

Web Form: [www.smarttech.com/contactserviceparts](http://www.smarttech.com/contactserviceparts)  
Phone: 1.888.42.SMART  
International: +1.403.245.0333

# PX442/PX450/PX452/PX458/PX460/PX463/PX465 Parts



Item	Part No.	Qty	Description
1	20-00951-20	1	Assembly, corner, top, left
2	20-00950-20	1	Assembly, corner, top, right
3	20-00953-21	1	Assembly, camera, corner, bottom, left
4	20-00952-21	1	Assembly, camera, corner, bottom, right
5	30-01158-20	4	Screw, M3 x 4 mm, Phillips, truss head
6	30-01164-20	2	Screw, M4 x 12 mm, Phillips, pan head
7	30-01165-20	2	Washer, 4.3 mm, flat
8	30-01175-20	12	Screw, set, M5 x 5 mm, hex, cone point
9	01-00257	1	Battery, AAA
10	IDF-PEN	1	Interactive Display Frame pencil - black <b>NOTE:</b> Includes 1 black pencil, 2 spare replacement nibs and 1 AAA battery.
11	IDF-PEN NIBS	1	Interactive Display Frame pencil replacment nibs - 10 pack <b>NOTE:</b> This is optional and is not included with the Interactive Display Frame.
12	93-051	1	Cable, power, North America, 8' (2.4 m)
12	93-055	1	Cable, power, United Kingdom, 8' (2.4 m)
12	93-056	1	Cable, power, Autstralia, 8' (2.4 m)
12	93-063	1	Cable, power, South Africa, 8' (2.4 m)
12	93-054	1	Cable, power, Europe, 8' (2.4 m)
12	93-00654-20	1	Cable, power, Japan, 8' (2.4 m)
13	60-00043-20	1	Power supply, 5V DC, 2.6A, universal switching
14	78-00052	1	Hex key, 2.5 mm
15	20-00932-20	1	Assembly, DSP
16	93-00828-20	1	Cable, USB, A-B, 16' (5.0 m)
17	93-00650-20	2	Cable, DisplayPort, 10' ( 3.1 m)
18	52-00509-20	1	Ledge, pencil <b>NOTE:</b> This is the pencil ledge only and does not include the bottom bezel.
Not shown	IDF-3CPEN	1	Interactive Display Frame multi-color pencil pack - blue, green and red <b>NOTE:</b> Includes 1 blue pencil, 1 green pencil, 1 red pencil, 6 spare replacement nibs and 3 AAA batteries. This is optional and is not included with the Interactive Display Frame.