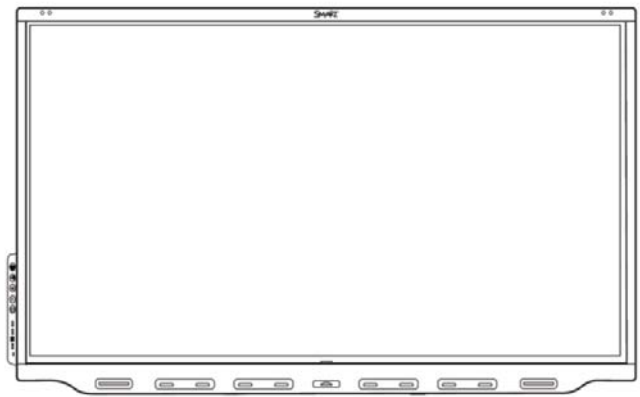


SMART[®]



Service Parts Diagrams

**For Model:
SBID-7000R series**

Service Parts Diagrams Revision History

Revision 1 - January, 2020

- New document

Revision 2 - February, 2020

- Change 1033260 to 1033964

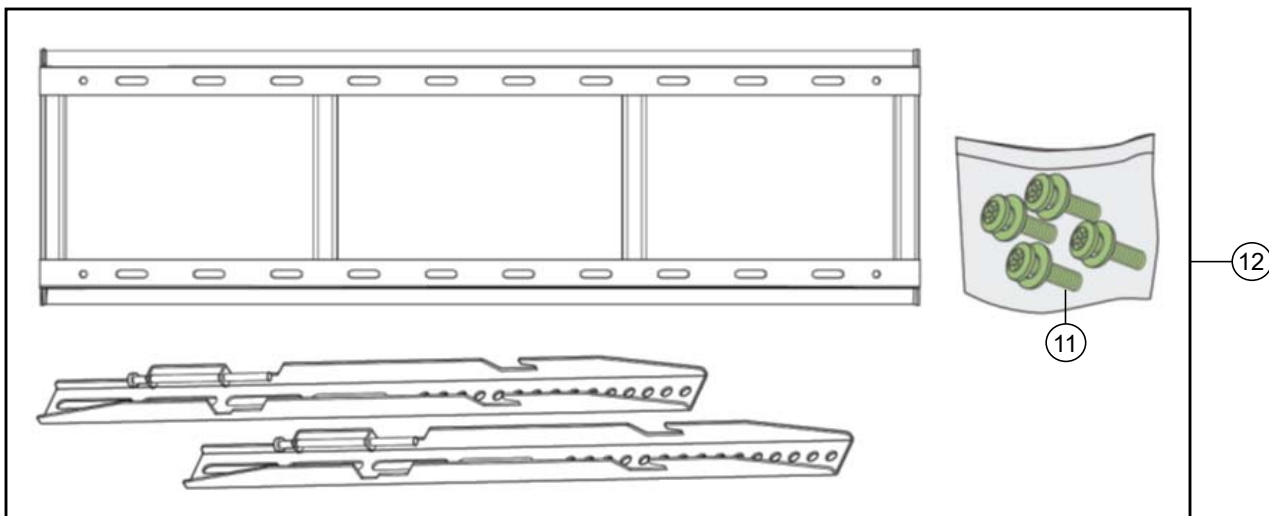
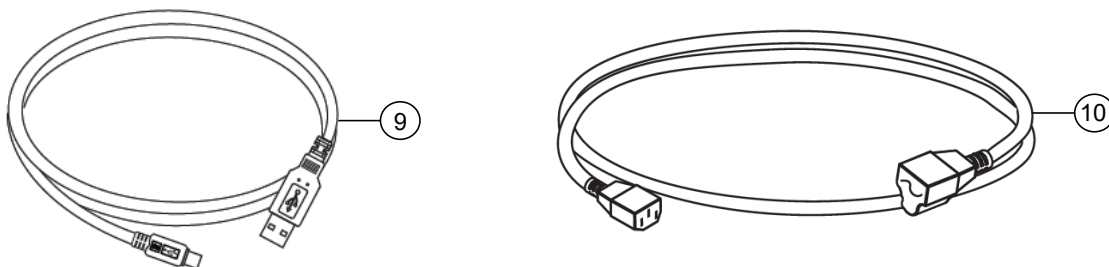
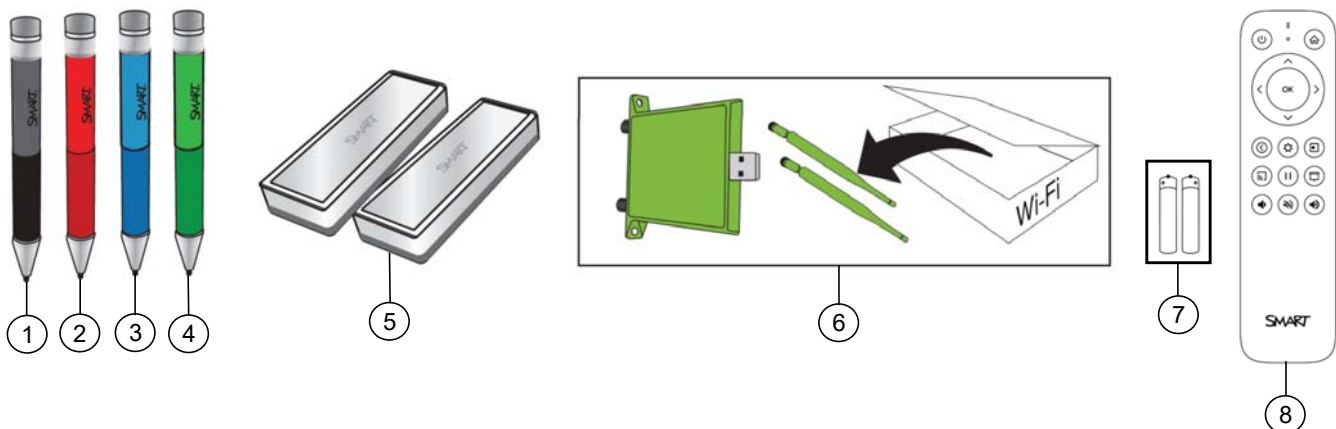
Revision 3 - June, 2021

- Change 1033232 graphic

Revision 4 - May, 2024

- Add 1041723

Service Parts



Item	Part No.	Qty	Description
1	1033131	1	Assembly, active pen, black, 7000R
2	1033132	1	Assembly, active pen, red, 7000R
3	1033133	1	Assembly, active pen, blue, 7000R
4	1033134	1	Assembly, active pen, green, 7000R
5	1032905	2	Assembly, bar eraser
6	1033232	1	Assembly, SBID-7000R-WIFI
7	1034118	1	Assembly, batteries, AAA, two pack

8	1033964	1	Assembly, remote control
9	1028289	1	Cable, USB, A-B, 16' (5.0 m)
10	1022063	1	Cable, power, North America, 8' (2.4 m)
10	93-055	1	Cable, power, United Kingdom, 8' (2.4 m)
10	93-056	1	Cable, power, Australia, 8' (2.4 m)
10	93-054	1	Cable, power, Europe, 8' (2.4 m)
10	93-00708-20	1	Cable, power, China, 8' (2.4 m)
10	93-00654-20	1	Cable, power, Japan, 8' (2.4 m)
10	93-063	1	Cable, power, South Africa, 8' (2.4 m)
10	1018969	1	Cable, power, Singapore, 14' 9" (4.5 m)
10	1018970	1	Cable, power, India, 14' 9" (4.5 m)
10	1018971	1	Cable, power, Saudi Arabia, 14' 9" (4.5 m)
10	1018972	1	Cable, power, Brazil, 14' 9" (4.5 m)
10	1025597	1	Cable, power, Argentina, 14' 9" (4.5 m)
10	1025603	1	Cable, power, Chile and Italy, 14' 9" (4.5 m)
10	1030859	1	Cable, power, Korea, 8' (2.4 m)
11	1032611	4	Screw, M8 × 24 mm, Phillips, pan head, SEMS split washer NOTE: For attaching wall mount to flat panel display.
12	WM-SBID-200	1	SMART Wall Mount
Not shown	1033102	1	Kit, packaging, 75"
Not shown	1033106	1	Kit, packaging, 86"

Optional 7000R Pen Replacement Nibs - Set of 4 (Part No. 1041723)

