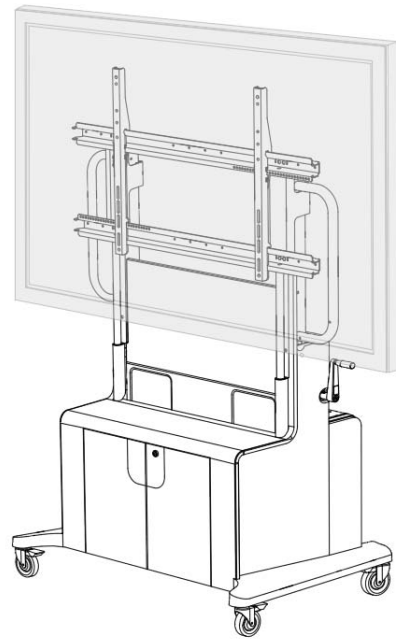


SMART[®]



Service Parts Diagrams

**For Model:
FSSBID 100V**

Service Parts Diagrams Revision History

Revision 1 - December, 2014

- New document

Revision 2 - August, 2016

- Add 1023263

Standard Warranty Terms

Base product: One-year limited equipment warranty

First Customer Ship: December, 2014

SMART Technologies

3636 Research Road NW

Calgary, AB T2L 1Y1

CANADA

Support +1.403.228.5940 or Toll Free 1.866.518.6791 (Canada/U.S.)

Support Fax +1.403.806.1256

www.smarttech.com/contactserviceparts www.smarttech.com

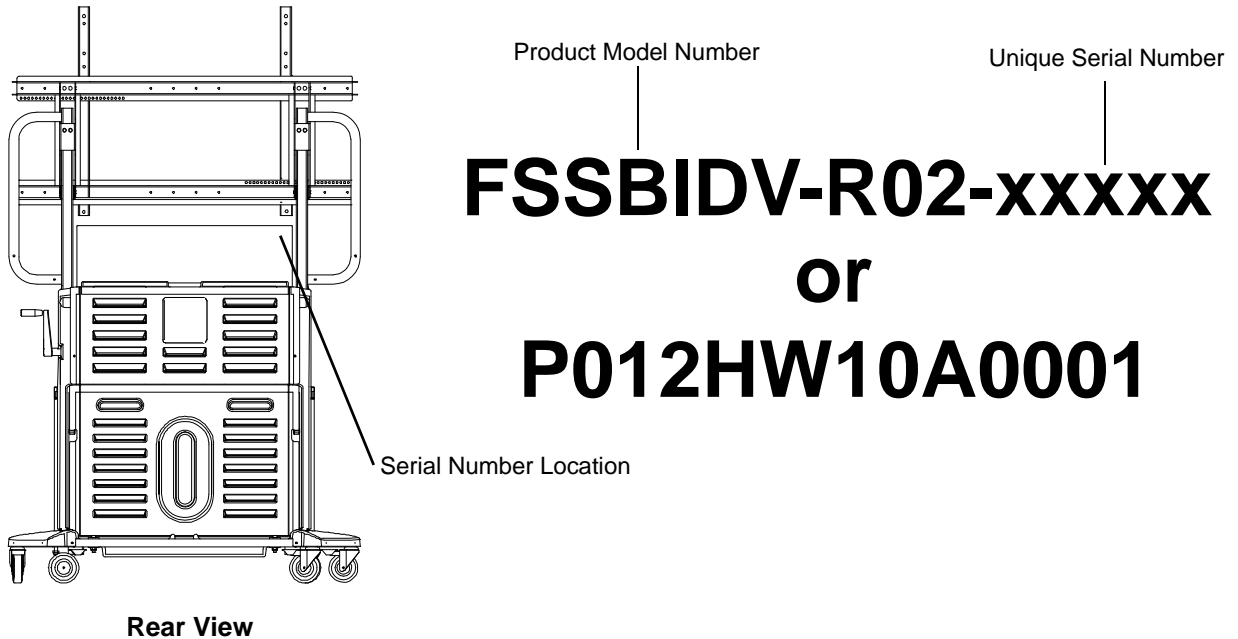
The SMART logo consists of the word "SMART" in a bold, stylized, sans-serif font. The letters are black with a white outline, and a registered trademark symbol (®) is located at the bottom right of the letter "T".

Service Parts Diagrams for the FSSBID 100V

Identifying Your Product Using the Serial Number	1
Ordering Parts	1
Front View	2
Value Mobile Stand Accessory Kit Assembly (Part No. 1025859)	3
Optional Cabinet Conversion Kit for a Rack Mount Configuration (Part No. FSSBID RACK MT)	4
Optional Spacer Kit Required for Mounting a SMART SBID8084i-G4 on an FSSBID 100V Mobile Stand (Part No. FSSBID-SPCR)	5

Identifying Your Product Using the Serial Number

To make sure that you have the correct service parts diagrams, you must verify the serial number of your FSSBID 100V. The serial number will be located on the back of the stand. An example of the serial number format is shown below.



Ordering Parts

Customers

To order any of the parts in these service parts diagrams, contact your local reseller. To find a reseller near you, visit www.smarttech.com/where.

Dealers and Distributors

For specific technical and pricing enquiries in regards to these diagrams please contact our service parts department. Pricing is also available on-line via the SOURCE website (source.smarttech.com).

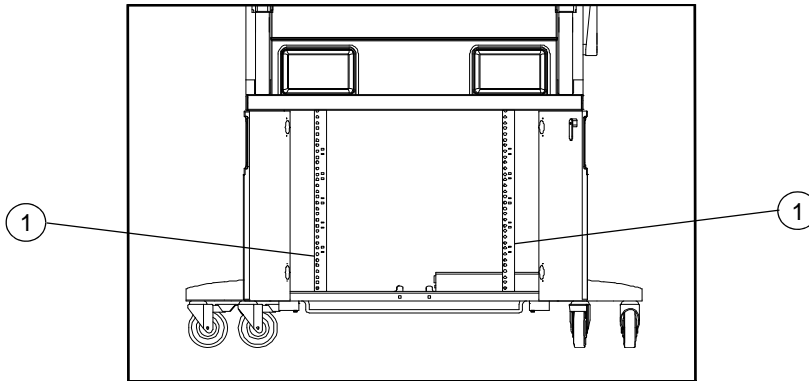
Web Form: www.smarttech.com/contactserviceparts

Phone: 1.888.42.SMART

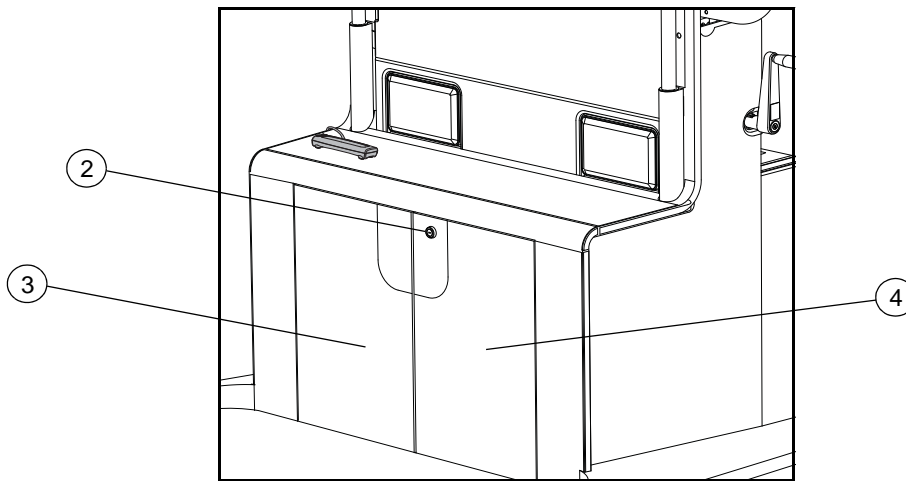
International: +1.403.245.0333

Front View

View with front doors open

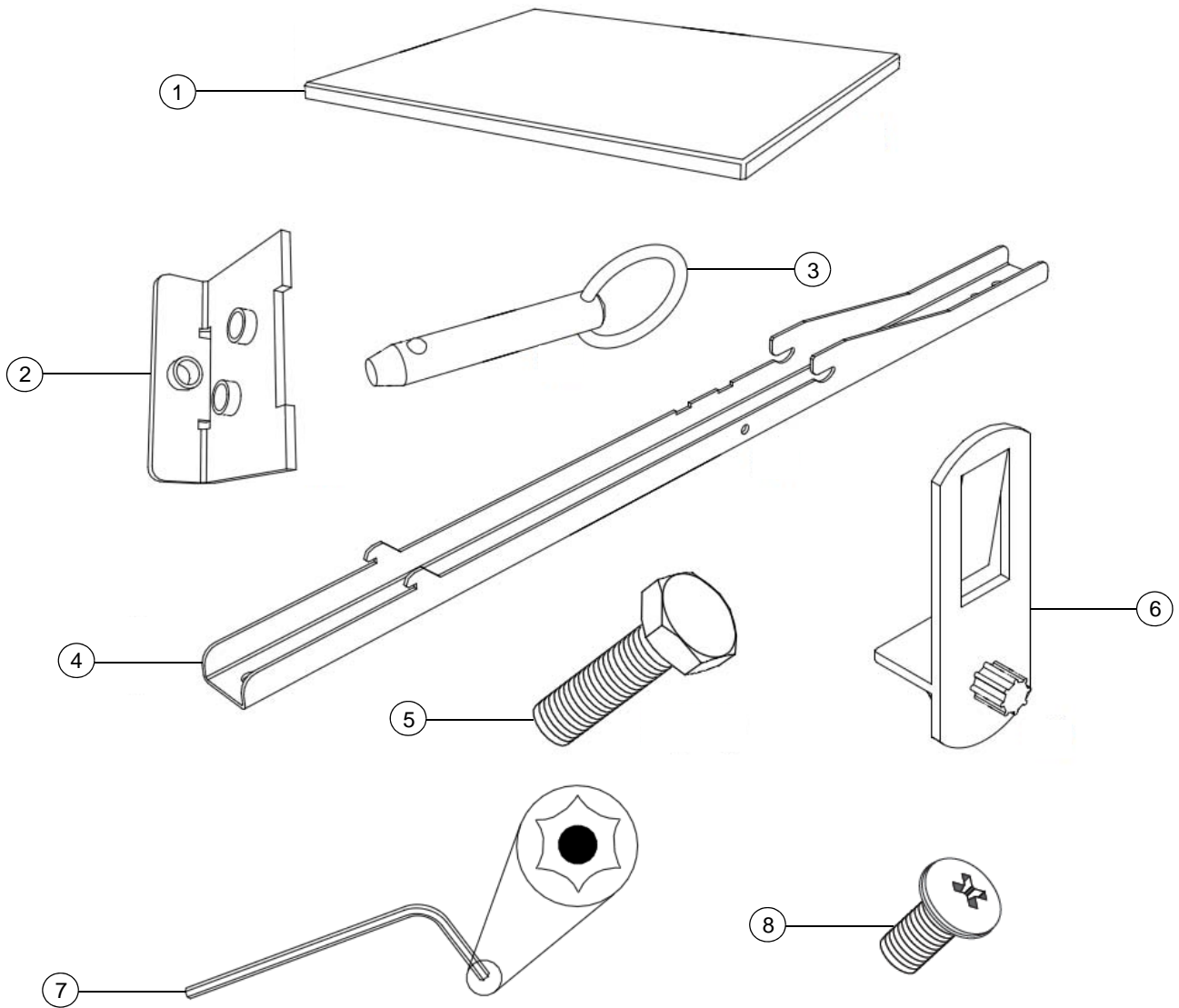


View with front doors closed



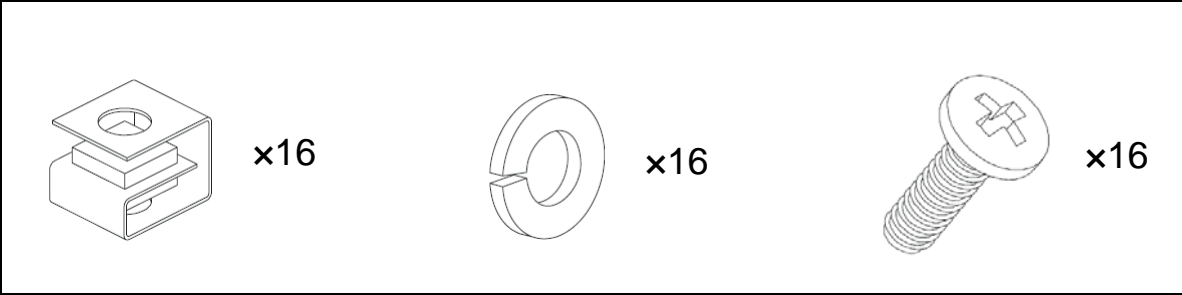
Item	Part No.	Qty	Description
1	51-00760-20	2	Rail, rack
2	30-01266-20	1	Lock, cam, door, includes two keys, cam not included
	30-01267-20	1	Cam, no offset
3	96-00070-20	1	Door, left NOTE: Hinges and handle not included.
4	96-00071-21	1	Door, right NOTE: Hinges, handle and lock not included.

Value Mobile Stand Accessory Kit Assembly (Part No. 1025859)



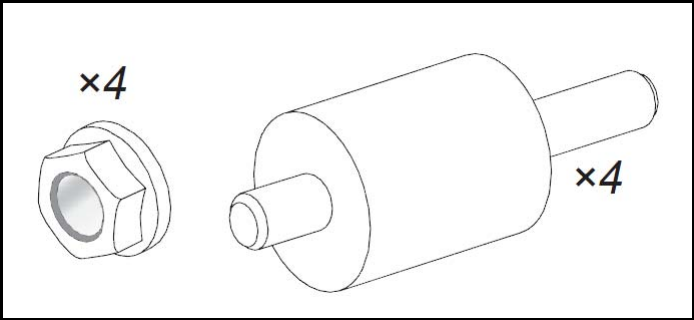
Item	Part No.	Qty	Description
1	96-00068-20	2	Shelf, inside
2	51-00747-20	2	Bracket, panel, locking
3	30-01235-20	2	Pin, quick release, 5/16"
4	51-00746-20	2	Bracket, panel
5	30-01460-20	4	Screw, M6 x 14 mm, hex, cap head
6	30-01256-20	8	Clip, 1/2" thick shelf, plastic, clear
7	78-00060	1	Hex key, T15, TORX™
8	1023263	4	Screw, M8-1.25 mm x 20 mm, Phillips, pan head NOTE: For attaching item 4 to the flat panel display.

**Optional Cabinet Conversion Kit for a Rack Mount Configuration
(Part No. FSSBID RACK MT)**



NOTE: Components not available separately.

Optional Spacer Kit Required for Mounting a SMART SBID8084i-G4 on an FSSBID 100V Mobile Stand (Part No. FSSBID-SPCR)



NOTE: Components not available separately.