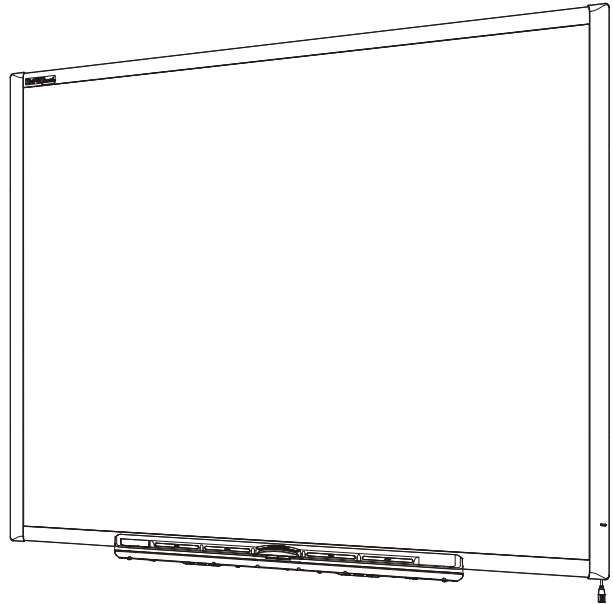


# SMART™



## *Service Parts Diagrams*

**For Model:**

**SB640**

**SB660**

**SB680**

**SB685**

**SB690**

# Service Parts Diagrams Revision History

## Revision 1 - September, 2005

- New document

## Revision 2 - January, 2006

- Added Floor Stand screw 30-01011
- Reduced quantity of 30-00892 to 8
- Added 93-00511-00, 93-00510-00 and 93-00506-00 Pen Tray to controller cables

## Revision 3 - June, 2006

- Added new RoHS part numbers

## Revision 4 - November, 2006

- Changed FS6 screw from 30-01011-20 to 30-01044-20
- Changed FS6 screw from 30-00982-20 to 30-01043-20

## Revision 5 - July, 2007

- Add 30-01065-20, whiteboard only FRU's, and additional floor stand components
- Change 20-00631-00 to 20-00631-21
- Change 20-00630-00 to 20-00630-21
- Change 20-00632-00 to 20-00632-20
- Change 20-00633-00 to 20-00633-20
- Change 20-00634-00 to 20-00634-20
- Change 20-00635-00 to 20-00635-20

## Revision 6 - May, 2008

- Add SB685
- Change 52-00252-01 to 52-00252-20
- Change 52-00230-01 to 52-00230-20
- Change 52-00262-10 to 52-00262-20
- Change 52-00288-01 to 52-00288-20
- Add reference to new serial number location

## Revision 7 - May, 2009

- Add RPEN-ER
- Add 20-01028-20
- Change 30-01034-20 to 30-01043-20 on page 8

## Revision 8 - January, 2010

- Change 52-00483-21 to 52-00483-22
- Move FS670, FS640 and TS640 into individual documents

## Revision 9 - May, 2010

- Change 52-00316-00 to 52-00653-20

## **Revision 10 - June, 2011**

- Remove FRU-SC9
- Add FRU-SC12-SB600 and FRU-SC9-UF35

## **Revision 11 - April, 2012**

- Remove 52-00262-20, 20-00635-20, 20-00634-20, 52-00653-20, 52-00252-20, 20-00633-20, 20-00632-20, 52-00230-20, 20-00631-21, 20-00630-21, 52-00483-22, and 52-00288-20
- Change 93-00507-00 to 93-00828-20

## **Revision 12 - September, 2015**

- Remove FRU-ERA-006 and FRU-SC12-SB600
- Add FRU-SC12A-SB600

## **Revision 13 - September, 2017**

- Remove FRU-SB6WM, FRU-PGK-SB640, FRU-PKG-SB660, FRU-PKG-SB680, FRU-PKG-SB685 and FRU-PKG-SB690
- Add 1006750 and 52-00233-00

## **Standard Warranty Terms**

Base Product: Five-year limited equipment warranty upon registration

First Customer Ship: October, 2005

---

### **SMART Technologies**

3636 Research Road NW  
Calgary, AB T2L 1Y1  
CANADA

Support +1.403.228.5940 or Toll Free 1.866.518.6791 (Canada/U.S.)

Support Fax +1.403.806.1256

[www.smarttech.com/contactserviceparts](http://www.smarttech.com/contactserviceparts) [www.smarttech.com](http://www.smarttech.com)





# Service Parts Diagrams for the SMART Board 600 Series Interactive Whiteboards

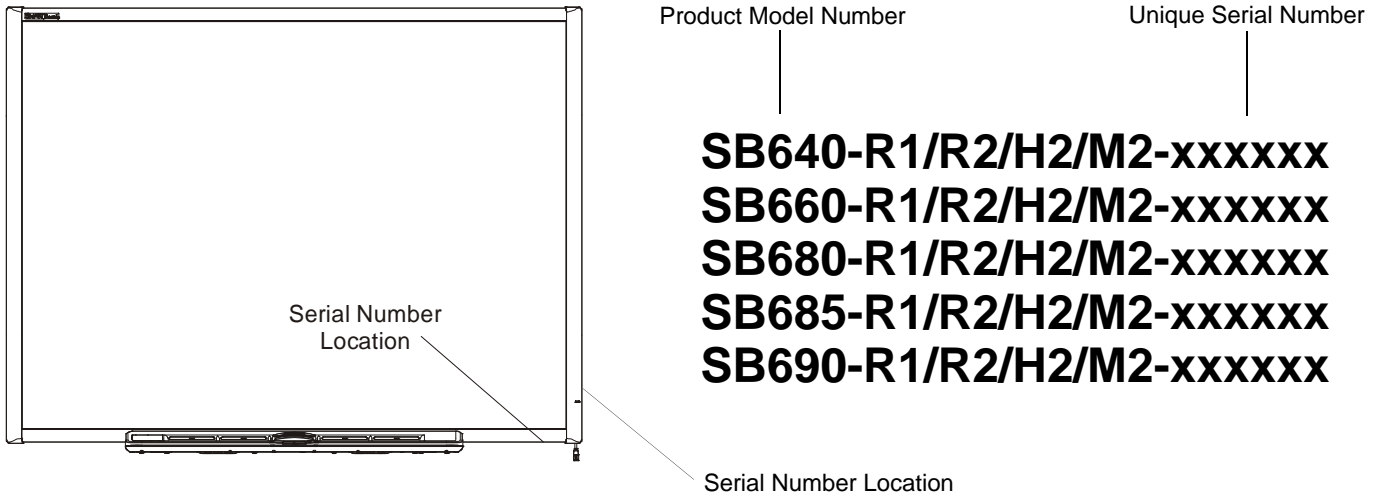
---

- Identifying Your Product Using the Serial Number ..... 1
- Ordering Parts ..... 1
- SB640 Parts ..... 2
- SB660 Parts ..... 3
- SB680 Parts ..... 4
- SB685 Parts ..... 5
- SB690 Parts ..... 6



## Identifying Your Product Using the Serial Number

To make sure that you have the correct service parts diagrams, you must verify the serial number of your SMART Board interactive whiteboard. The serial number will be located on either the bottom bezel on the right hand side or on the side of the right hand bezel as shown below. An example of the serial number format is shown below.



## Ordering Parts

### Customers

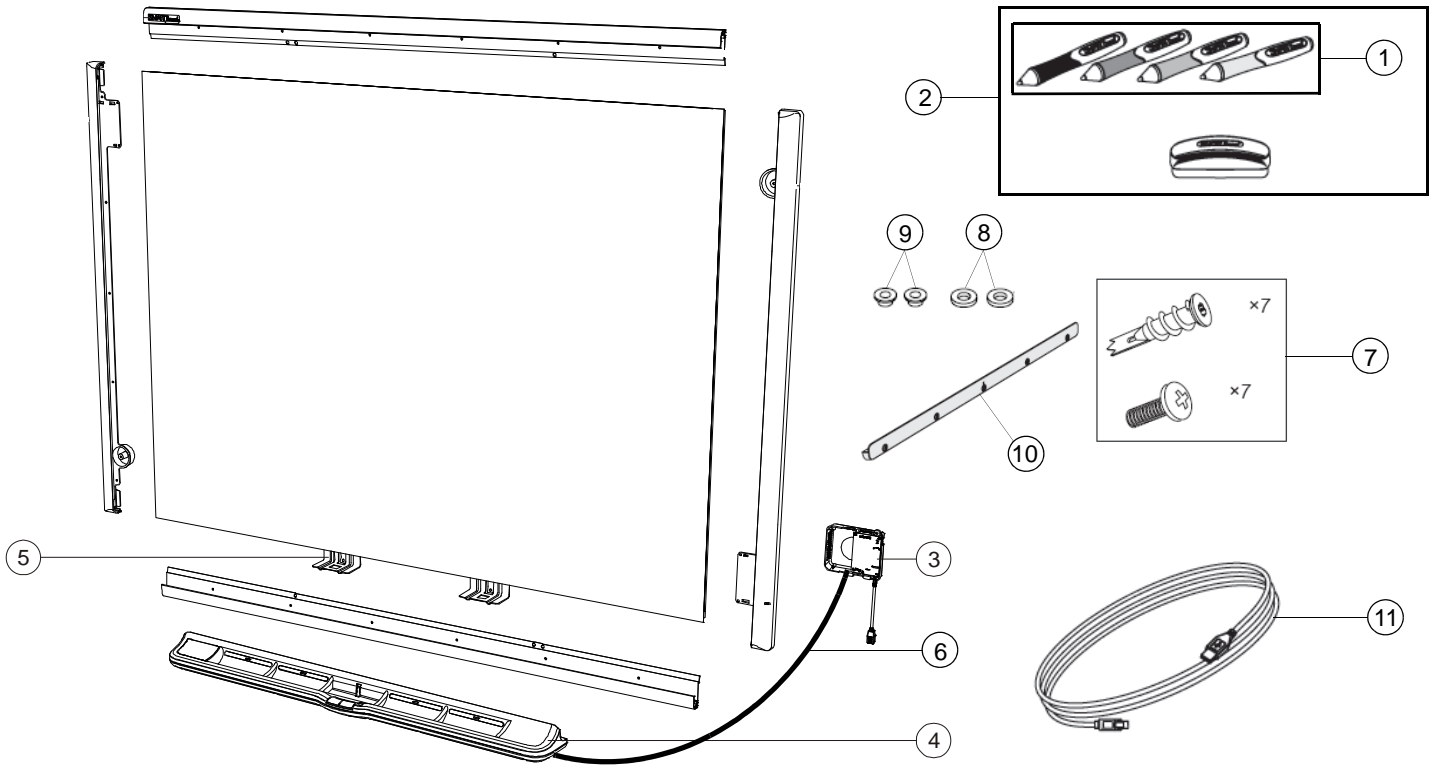
To order any of the parts in these service parts diagrams, contact your local reseller. To find a reseller near you, visit [www.smarttech.com/where](http://www.smarttech.com/where).

### Dealers and Distributors

For specific technical and pricing enquiries in regards to these diagrams please contact our service parts department. Pricing is also available on-line via the SOURCE website ([source.smarttech.com](http://source.smarttech.com)).

Web Form: [www.smarttech.com/contactserviceparts](http://www.smarttech.com/contactserviceparts)  
Phone: 1.888.42.SMART  
International: +1.403.245.0333

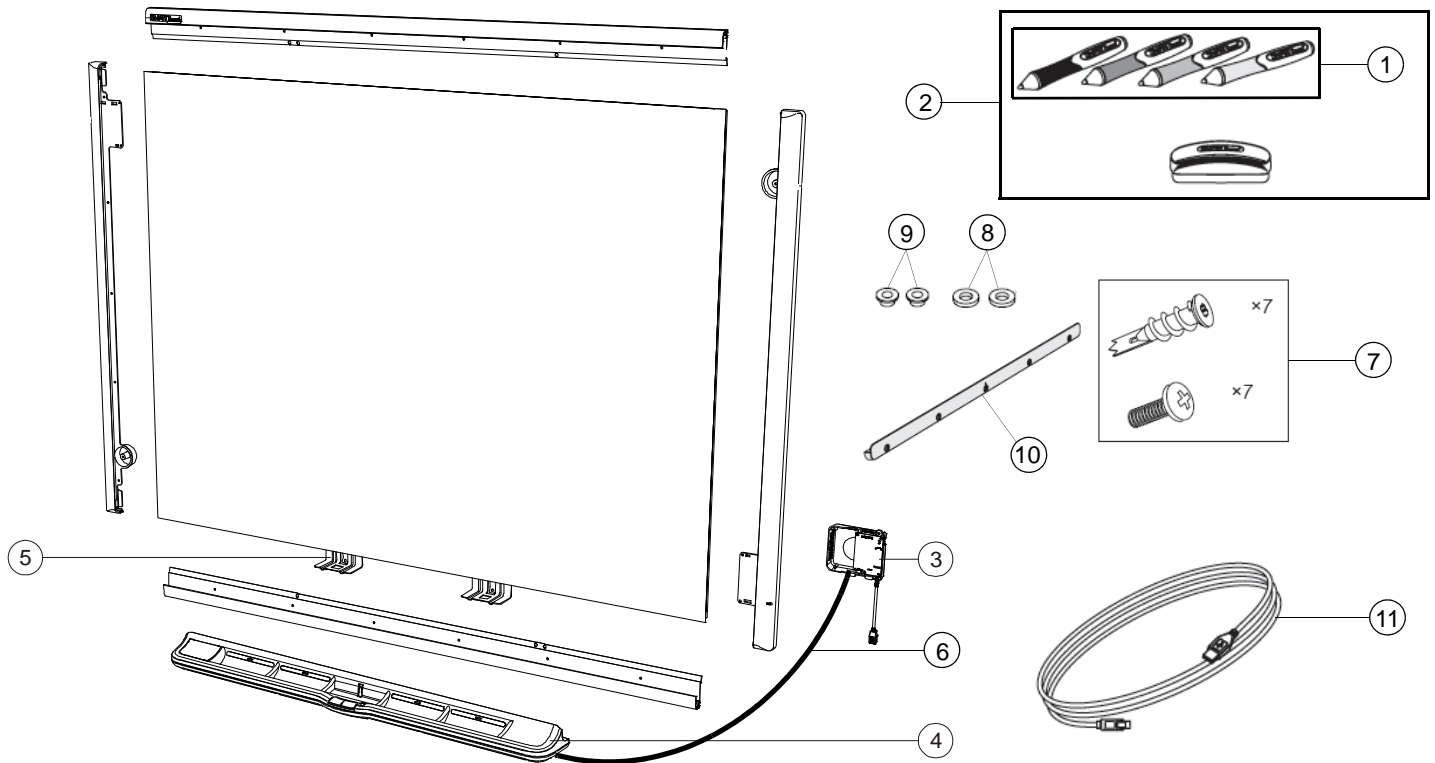
## SB640 Parts



Item	Part No.	Qty	Description
1	RPEN	1	Replacement Pens - Set of Four (Black, Red, Blue, Green)
2	RPEN-ER	1	Replacement Pens and Eraser - Set of Four (Black, Red, Blue, Green)
3	FRU-SC12A-SB600	1	FRU, SC12A, master controller, SB600 <b>NOTE: FRU-SC12-SB600 and FRU-SC9 have been discontinued and this is now the replacement controller for all single touch 600 series SMART Boards except those installed with a Unifi 35 projector.</b>
3	FRU-SC9-UF35	1	FRU, SC9, master controller (required for Unifi 35 systems only) <b>NOTE: Compatible and required only for single touch 600 series SMART Boards installed with a Unifi 35 projector.</b>
4	FRU-PT13	1	FRU, pen tray, PT13
5	51-00432-02	2	Bracket, mounting, pen tray
6	93-00511-00	1	Cable, I <sup>2</sup> C, 14" (36 cm), pen tray to controller, SB640
7	1006750	1	Assembly, hardware kit, wall mount, SB6
8	30-01065-20	2	Washer, No. 10, flat, nylon
9	30-01025	2	Washer, No. 10, shoulder, nylon <b>NOTE: May be required when attaching the SMART Board to a metal surface.</b>
10	52-00233-00	1	Bracket, wall mount, black, SB6
11	93-00828-20	1	Cable, USB, A-B, 16' (5.0 m)
Not shown	30-00934	20	Screw, No. 8 x 5/16", trim, wafer head <b>NOTE: For attaching bezels and pen tray mounting brackets.</b>
Not shown	30-00915-20	1	Screw, No. 8 x 1/2", Phillips, pan head, for plastics <b>NOTE: For attaching the controller to the SMART Board interactive whiteboard.</b>
Not shown	FRU-SB640WB	1	FRU, SB640, Whiteboard only <b>NOTE: Does not include pen tray, controller, or accessories.</b>

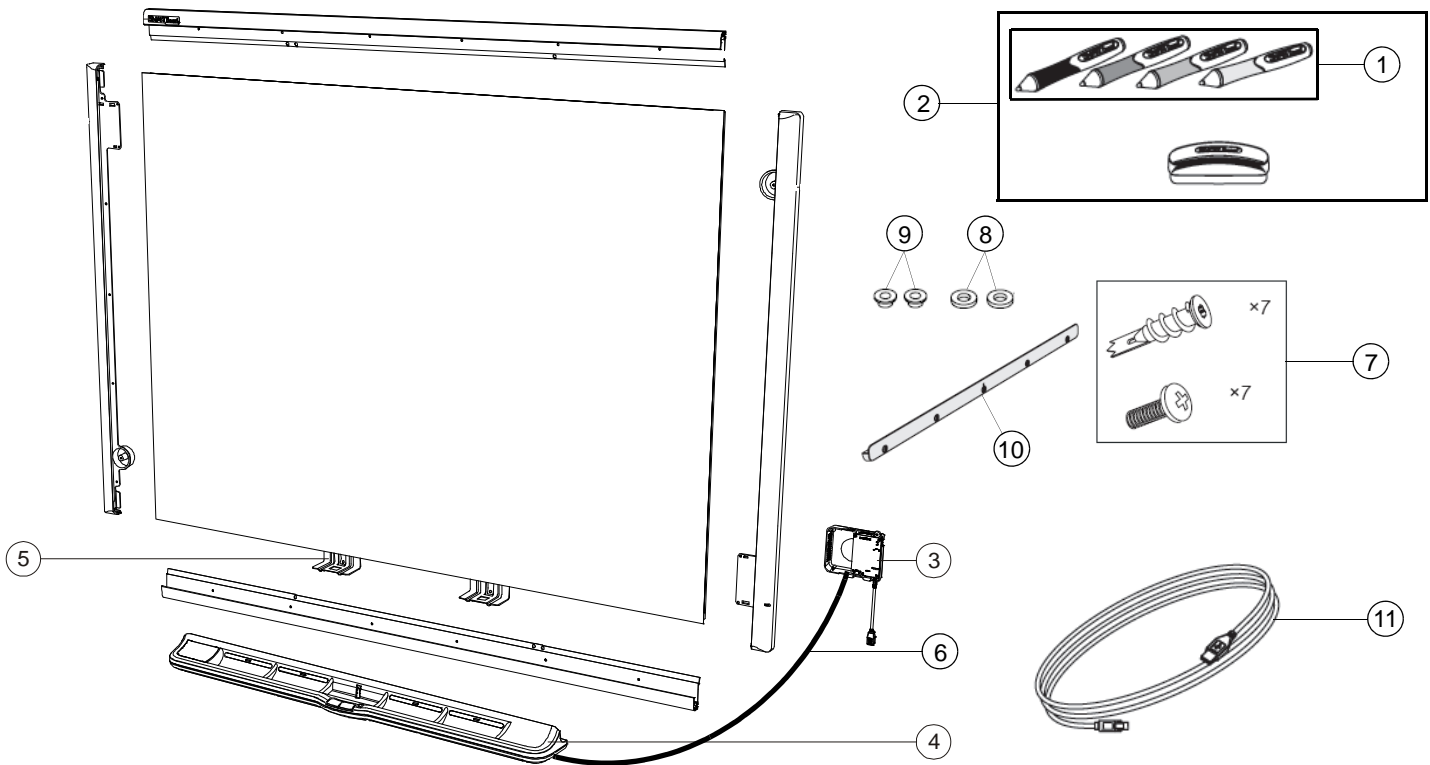


## SB660 Parts



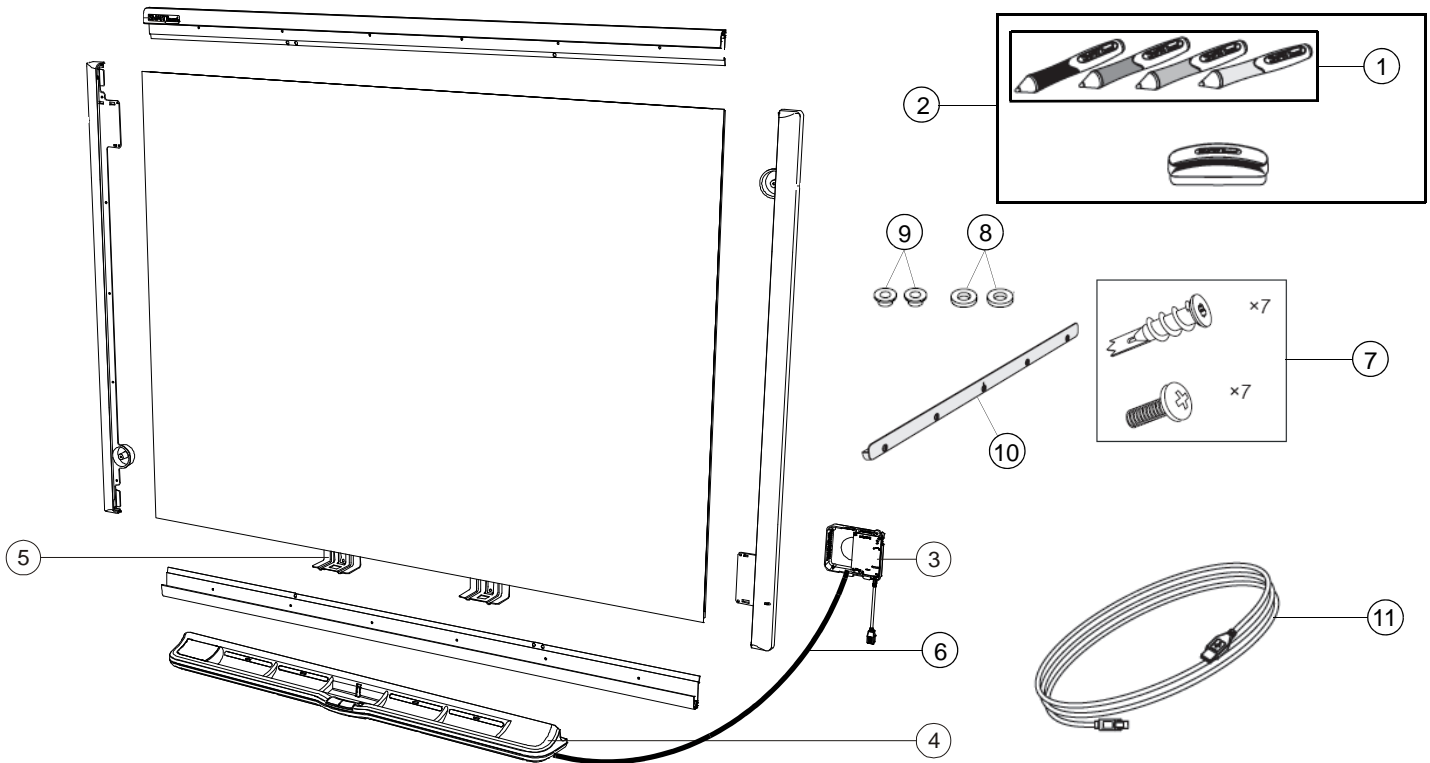
Item	Part No.	Qty	Description
1	RPEN	1	Replacement Pens - Set of Four (Black, Red, Blue, Green)
2	RPEN-ER	1	Replacement Pens and Eraser - Set of Four (Black, Red, Blue, Green)
3	FRU-SC12A-SB600	1	FRU, SC12A, master controller, SB600 <b>NOTE: FRU-SC12-SB600 and FRU-SC9 have been discontinued and this is now the replacement controller for all single touch 600 series SMART Boards except those installed with a Unifi 35 projector.</b>
3	FRU-SC9-UF35	1	FRU, SC9, master controller (required for Unifi 35 systems only) <b>NOTE: Compatible and required only for single touch 600 series SMART Boards installed with a Unifi 35 projector.</b>
4	FRU-PT13	1	FRU, pen tray, PT13
5	51-00432-02	2	Bracket, mounting, pen tray
6	93-00510-00	1	Cable, I <sup>2</sup> C, 20" (51 cm), pen tray to controller, SB660
7	1006750	1	Assembly, hardware kit, wall mount, SB6
8	30-01065-20	2	Washer, No. 10, flat, nylon
9	30-01025	2	Washer, No. 10, shoulder, nylon <b>NOTE: May be required when attaching the SMART Board to a metal surface.</b>
10	52-00233-00	1	Bracket, wall mount, black, SB6
11	93-00828-20	1	Cable, USB, A-B, 16' (5.0 m)
Not shown	30-00934	26	Screw, No. 8 × 5/16", trim, wafer head <b>NOTE: For attaching bezels and pen tray mounting brackets.</b>
Not shown	30-00915-20	1	Screw, No. 8 × 1/2", Phillips, pan head, for plastics <b>NOTE: For attaching the controller to the SMART Board interactive whiteboard.</b>
Not shown	FRU-SB660WB	1	FRU, SB660, Whiteboard only <b>NOTE: Does not include pen tray, controller, or accessories.</b>

## SB680 Parts



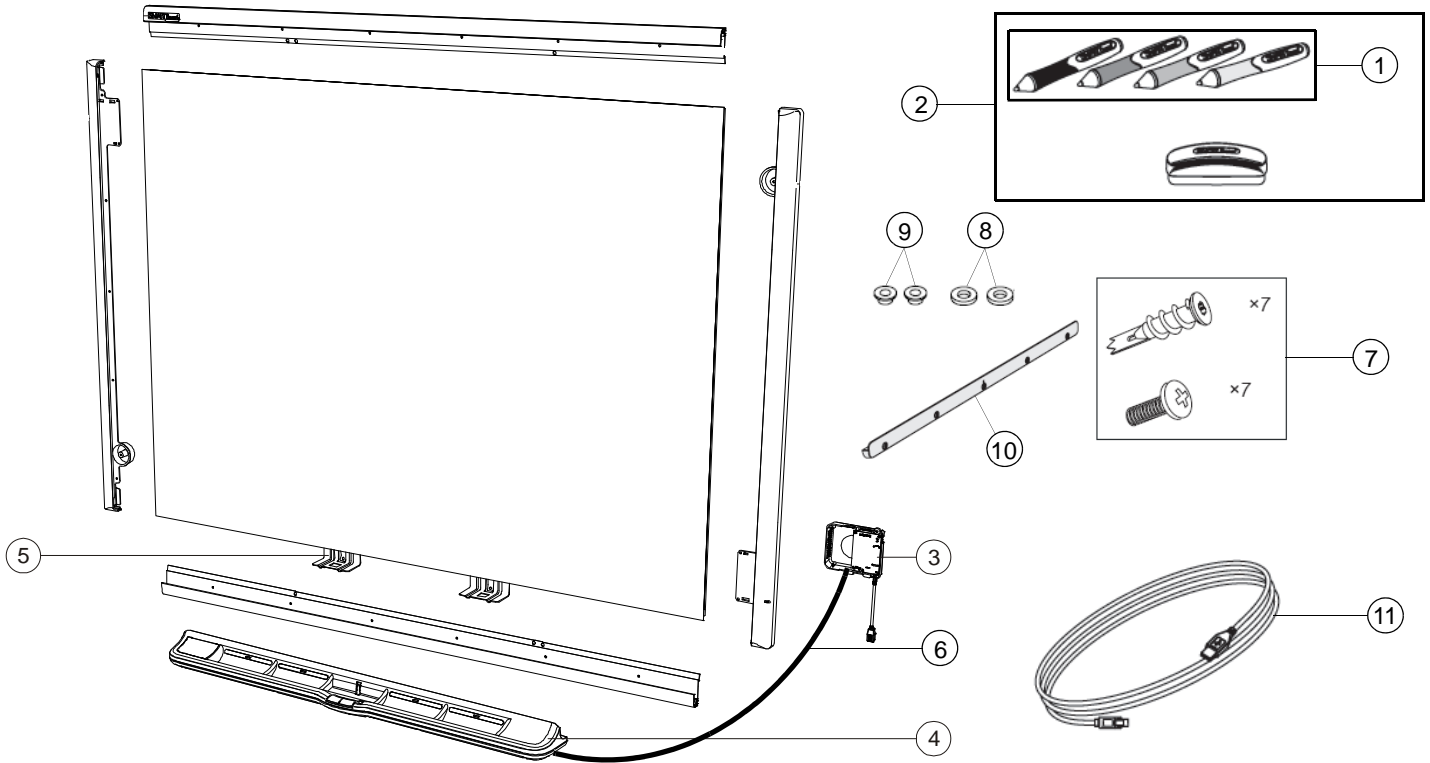
Item	Part No.	Qty	Description
1	RPEN	1	Replacement Pens - Set of Four (Black, Red, Blue, Green)
2	RPEN-ER	1	Replacement Pens and Eraser - Set of Four (Black, Red, Blue, Green)
3	FRU-SC12A-SB600	1	FRU, SC12A, master controller, SB600 <b>NOTE: FRU-SC12-SB600 and FRU-SC9 have been discontinued and this is now the replacement controller for all single touch 600 series SMART Boards except those installed with a Unifi 35 projector.</b>
3	FRU-SC9-UF35	1	FRU, SC9, master controller (required for Unifi 35 systems only) <b>NOTE: Compatible and required only for single touch 600 series SMART Boards installed with a Unifi 35 projector.</b>
4	FRU-PT13	1	FRU, pen tray, PT13
5	51-00432-02	2	Bracket, mounting, pen tray
6	93-00506-00	1	Cable, I <sup>2</sup> C, 25 1/2" (65 cm), pen tray to controller, SB680
7	1006750	1	Assembly, hardware kit, wall mount, SB6
8	30-01065-20	2	Washer, No. 10, flat, nylon
9	30-01025	2	Washer, No. 10, shoulder, nylon <b>NOTE: May be required when attaching the SMART Board to a metal surface.</b>
10	52-00233-00	1	Bracket, wall mount, black, SB6
11	93-00828-20	1	Cable, USB, A-B, 16' (5.0 m)
Not shown	30-00934	26	Screw, No. 8 x 5/16", trim, wafer head <b>NOTE: For attaching bezels and pen tray mounting brackets.</b>
Not shown	30-00915-20	1	Screw, No. 8 x 1/2", Phillips, pan head, for plastics <b>NOTE: For attaching the controller to the SMART Board interactive whiteboard.</b>
Not shown	FRU-SB680WB	1	FRU, SB680, Whiteboard only <b>NOTE: Does not include pen tray, controller, or accessories.</b>

## SB685 Parts



Item	Part No.	Qty	Description
1	RPEN	1	Replacement Pens - Set of Four (Black, Red, Blue, Green)
2	RPEN-ER	1	Replacement Pens and Eraser - Set of Four (Black, Red, Blue, Green)
3	FRU-SC12A-SB600	1	FRU, SC12A, master controller, SB600 <b>NOTE: FRU-SC12-SB600 and FRU-SC9 have been discontinued and this is now the replacement controller for all single touch 600 series SMART Boards except those installed with a Unifi 35 projector.</b>
3	FRU-SC9-UF35	1	FRU, SC9, master controller (required for Unifi 35 systems only) <b>NOTE: Compatible and required only for single touch 600 series SMART Boards installed with a Unifi 35 projector.</b>
4	FRU-PT13	1	FRU, pen tray, PT13
5	51-00432-02	2	Bracket, mounting, pen tray
6	93-00580-20	1	Cable, I <sup>2</sup> C, 35 1/2" (90 cm), pen tray to controller, SB685
7	1006750	2	Assembly, hardware kit, wall mount, SB6
8	30-01065-20	2	Washer, No. 10, flat, nylon
9	30-01025	2	Washer, No. 10, shoulder, nylon <b>NOTE: May be required when attaching the SMART Board to a metal surface.</b>
10	52-00233-00	2	Bracket, wall mount, black, SB6
11	93-00828-20	1	Cable, USB, A-B, 16' (5.0 m)
Not shown	30-00934	30	Screw, No. 8 × 5/16", trim, wafer head <b>NOTE: For attaching bezels and pen tray mounting brackets.</b>
Not shown	30-00915-20	1	Screw, No. 8 × 1/2", Phillips, pan head, for plastics <b>NOTE: For attaching the controller to the SMART Board interactive whiteboard.</b>
Not shown	FRU-SB685WB	1	FRU, SB685, Whiteboard only <b>NOTE: Does not include pen tray, controller, or accessories.</b>

# SB690 Parts



Item	Part No.	Qty	Description
1	RPEN	1	Replacement Pens - Set of Four (Black, Red, Blue, Green)
2	RPEN-ER	1	Replacement Pens and Eraser - Set of Four (Black, Red, Blue, Green)
3	FRU-SC12A-SB600	1	FRU, SC12A, master controller, SB600 <b>NOTE: FRU-SC12-SB600 and FRU-SC9 have been discontinued and this is now the replacement controller for all single touch 600 series SMART Boards except those installed with a Unifi 35 projector.</b>
3	FRU-SC9-UF35	1	FRU, SC9, master controller (required for Unifi 35 systems only) <b>NOTE: Compatible and required only for single touch 600 series SMART Boards installed with a Unifi 35 projector.</b>
4	FRU-PT13	1	FRU, pen tray, PT13
5	51-00432-02	2	Bracket, mounting, pen tray
6	93-00580-20	1	Cable, I <sup>2</sup> C, 35 1/2" (90 cm), pen tray to controller, SB690
7	1006750	2	Assembly, hardware kit, wall mount, SB6
8	30-01065-20	2	Washer, No. 10, flat, nylon
9	30-01025	2	Washer, No. 10, shoulder, nylon <b>NOTE: May be required when attaching the SMART Board to a metal surface.</b>
10	52-00233-00	2	Bracket, wall mount, black, SB6
11	93-00828-20	1	Cable, USB, A-B, 16' (5.0 m)
Not shown	30-00934	30	Screw, No. 8 x 5/16", trim, wafer head <b>NOTE: For attaching bezels and pen tray mounting brackets.</b>
Not shown	30-00915-20	1	Screw, No. 8 x 1/2", Phillips, pan head, for plastics <b>NOTE: For attaching the controller to the SMART Board interactive whiteboard.</b>
Not shown	FRU-SB690WB	1	FRU, SB690, Whiteboard only <b>NOTE: Does not include pen tray, controller, or accessories.</b>