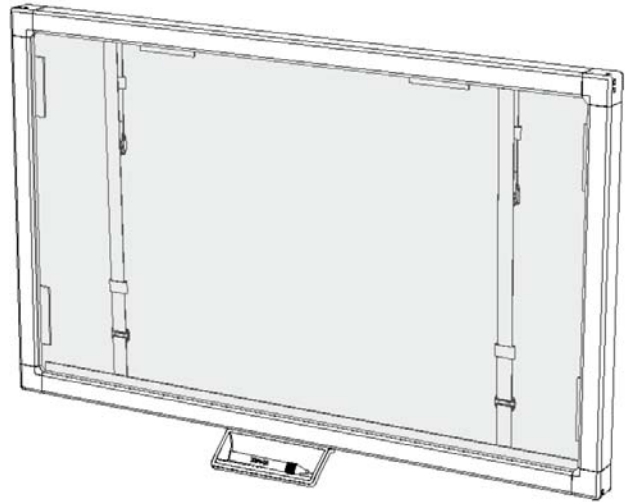


SMART[®]



Service Parts Diagrams

For Model:

SBID-L442
SBID-L442-MP
SBID-L446
SBID-L446-MP
SBID-L450
SBID-L450-MP
SBID-L452
SBID-L452-MP
SBID-L457
SBID-L457-MP
SBID-L458
SBID-L458-MP
SBID-L461
SBID-L461-MP
SBID-L465
SBID-L465-MP

SBID-S442
SBID-S442-MP
SBID-S446
SBID-S446-MP
SBID-S450
SBID-S450-MP
SBID-S452
SBID-S452-MP

Service Parts Diagrams Revision History

Revision 1 - October, 2011

- New document

Revision 2 - April, 2012

- Add reference to MP models

Revision 3 - June, 2012

- Change 20-01413-25 to 1017525

Revision 4 - October, 2012

- Change 1017525 to SMP-UpK

Revision 5 - October, 2013

- Change SMP-UpK to GW-MPPE

Standard Warranty Terms

Base product: Two-year limited equipment warranty

First Customer Ship: November, 2011

SMART Technologies

3636 Research Road NW
Calgary, AB T2L 1Y1
CANADA

Support +1.403.228.5940 or Toll Free 1.866.518.6791 (Canada/U.S.)

Support Fax +1.403.806.1256

www.smarttech.com/contactserviceparts www.smarttech.com

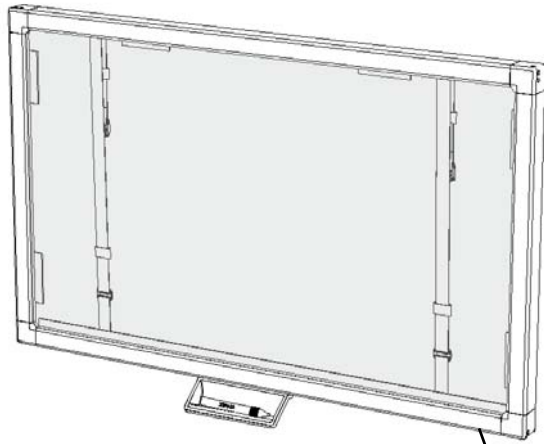


Service Parts Diagrams for the 400 Series SMART Board Interactive Display Overlay

Identifying Your Product Using the Serial Number 1
Ordering Parts 1
Overlay Parts 2

Identifying Your Product Using the Serial Number

To make sure that you have the correct service parts diagrams, you must verify the serial number of your 400 Series SMART Board interactive display overlay. The serial number is located on the bottom right corner. An example of the serial number format is shown below.



N022DW26A0008

Unique Serial Number

Ordering Parts

Customers

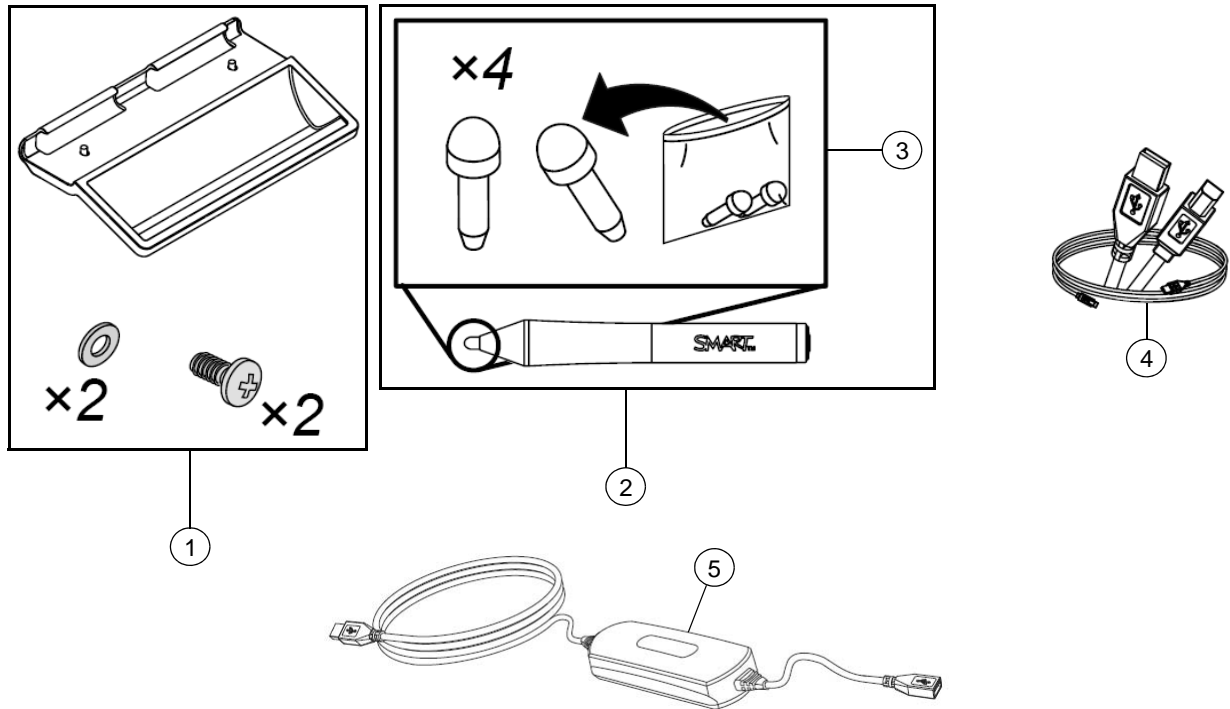
To order any of the parts in these service parts diagrams, contact your local reseller. To find a reseller near you, visit www.smarttech.com/where.

Dealers and Distributors

For specific technical and pricing enquiries in regards to these diagrams please contact our service parts department. Pricing is also available on-line via the SOURCE website (source.smarttech.com).

Web Form: www.smarttech.com/contactserviceparts
Phone: 1.888.42.SMART
International: +1.403.245.0333

Overlay Parts



Item	Part No.	Qty	Description
1	RPENLEDGE-SBID4	1	Assembly, pen ledge
2	RPEN-SBID4	1	Assembly, pen with set of four replacement nibs NOTE: Includes item 3.
3	FRU-NIB-SBX8	1	Replacement Nibs for SBX8 and SBID 400 Series - Set of Four
4	93-00837-20	1	Cable, USB, A-B, 10' (3.05 m)
5	GW-MPPE	1	SMART GoWire auto-launch cable with Meeting Pro Personal Edition NOTE: Only included with MP models.