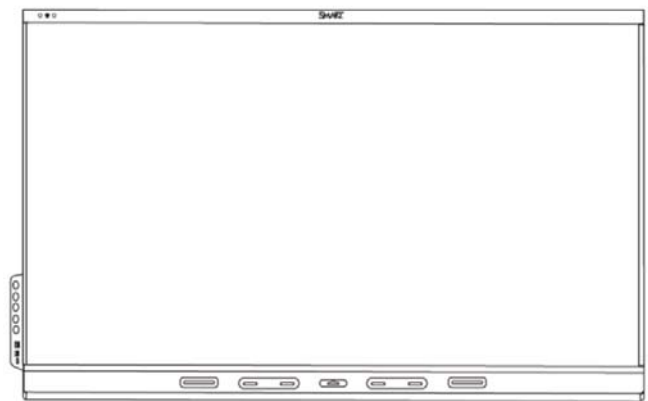


# SMART<sup>®</sup>



## *Service Parts Diagrams*

**For Model:**

**6000S-V3 series**

**6000S-V3-P series**

**6000S-V3-PW series**

# Service Parts Diagrams Revision History

## Revision 1 - March, 2022

- New document

## Standard Warranty Terms

Base product: Three-year limited equipment warranty

First Customer Ship: January, 2022

---

### SMART Technologies

3636 – Research Road NW

Calgary, AB T2L 1Y1

CANADA

Support +1.403.228.5940 or Toll Free 1.866.518.6791 (Canada/U.S.)

Support Fax +1.403.806.1256

[www.smarttech.com/contactserviceparts](http://www.smarttech.com/contactserviceparts) [www.smarttech.com](http://www.smarttech.com)



# Service Parts Diagrams for the 6000S-V3, 6000S-V3-P and 6000S-V3-PW series

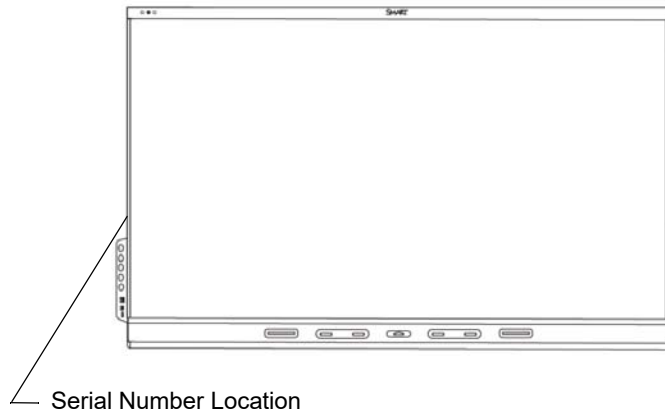
---

Identifying Your Product Using the Serial Number ..... 1  
Ordering Parts ..... 1  
Service Parts ..... 2



## Identifying Your Product Using the Serial Number

To make sure that you have the correct service parts diagrams, you must verify the serial number of your display. The serial number of the flat panel display will be located on the left side. An example of the serial number format is shown below.



Unique Serial Number

**K082NW41A0297**

## Ordering Parts

### Customers

To order any of the parts in these service parts diagrams, contact your local reseller. To find a reseller near you, visit [www.smarttech.com/where](http://www.smarttech.com/where).

### Dealers and Distributors

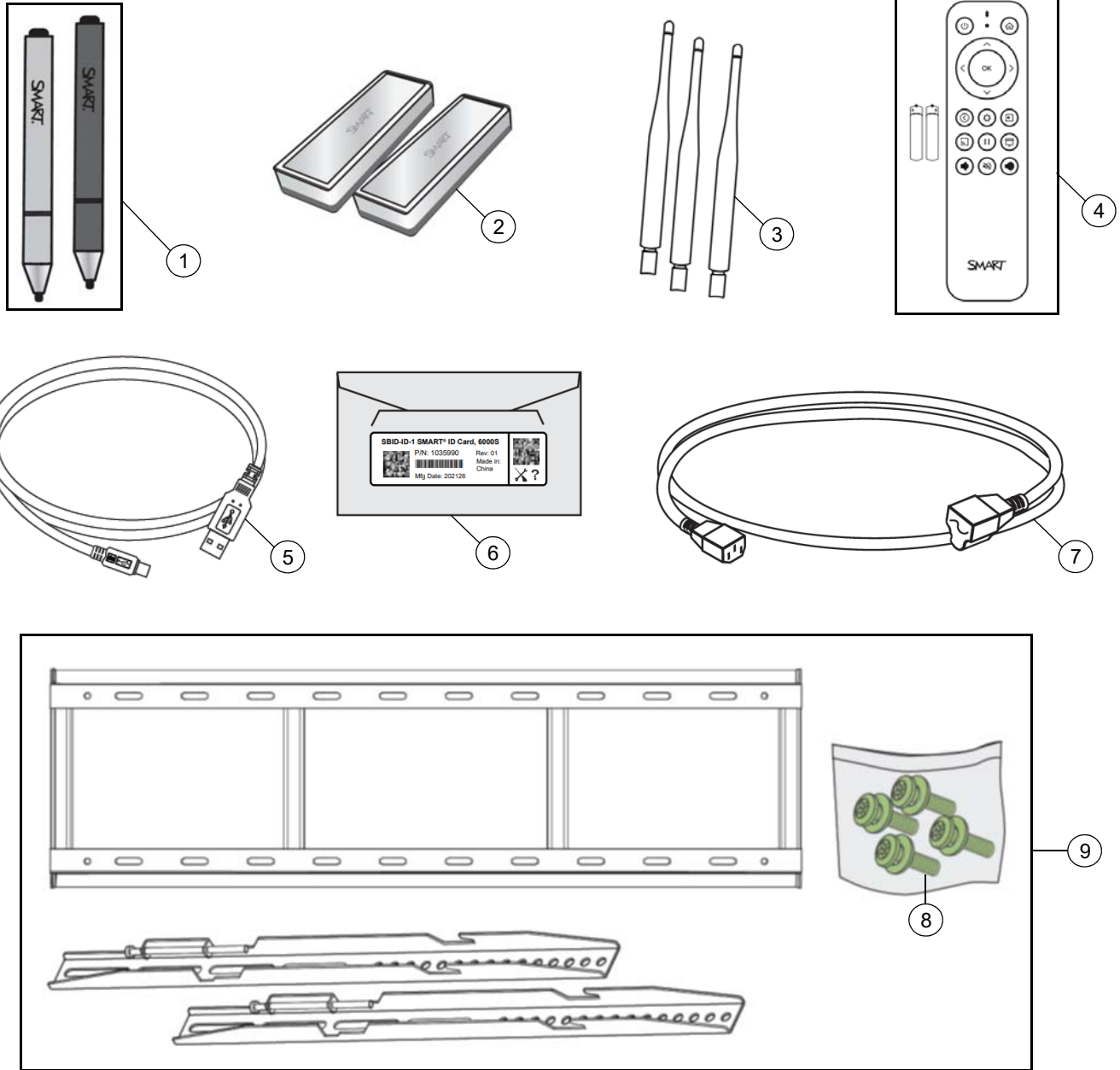
For specific technical and pricing enquiries in regards to these diagrams please contact our service parts department. Pricing is also available on-line via the SOURCE website ([source.smarttech.com](http://source.smarttech.com)).

Web Form: [www.smarttech.com/contactserviceparts](http://www.smarttech.com/contactserviceparts)

Phone: 1.888.42.SMART

International: +1.403.245.0333

# Service Parts



Item	Part No.	Qty	Description
1	1033824	1	Assembly, pen, 2-pack (black, red), SBID-6000S
2	1032737	2	Assembly, bar eraser, SBID-6000S
3	1032517	3	Antenna
4	1035792	1	Assembly, remote control <b>NOTE:</b> Not included with C1 models.
5	1028289	1	Cable, USB, A-B, 16' (5.0 m)
6	SBID-ID-1	2	Identification cards for SMART Board 6000S - Qty 1

7	1022063	1	Cable, power, North America, 8' (2.4 m)
7	93-055	1	Cable, power, United Kingdom, 8' (2.4 m)
7	93-056	1	Cable, power, Australia, 8' (2.4 m)
7	93-054	1	Cable, power, Europe, 8' (2.4 m)
7	93-00708-20	1	Cable, power, China, 8' (2.4 m)
7	93-00654-20	1	Cable, power, Japan, 8' (2.4 m)
7	93-063	1	Cable, power, South Africa, 8' (2.4 m)
7	1018969	1	Cable, power, Singapore, 14' 9" (4.5 m)
7	1018970	1	Cable, power, India, 14' 9" (4.5 m)
7	1018971	1	Cable, power, Saudi Arabia, 14' 9" (4.5 m)
7	1018972	1	Cable, power, Brazil, 14' 9" (4.5 m)
7	1025597	1	Cable, power, Argentina, 14' 9" (4.5 m)
7	1025603	1	Cable, power, Chile and Italy, 14' 9" (4.5 m)
7	1030859	1	Cable, power, Korea, 8' (2.4 m)
8	1032611	4	Screw, M8 × 24 mm, Phillips, pan head, SEMS split washer <b>NOTE:</b> For attaching wall mount to flat panel display. <b>NOTE:</b> Not included with C1, C2 and C3 models.
9	WM-SBID-200	1	SMART Wall Mount for MX-V2, 7000, 6000 and 2000 series <b>NOTE:</b> Includes wall mount and 4 pcs of 1032611. <b>NOTE:</b> Not included with C1, C2 and C3 models.
Not shown	1033779	1	Kit, packaging, 65"
Not shown	1033728	1	Kit, packaging, 75"
Not shown	1034174	1	Kit, packaging, 86"