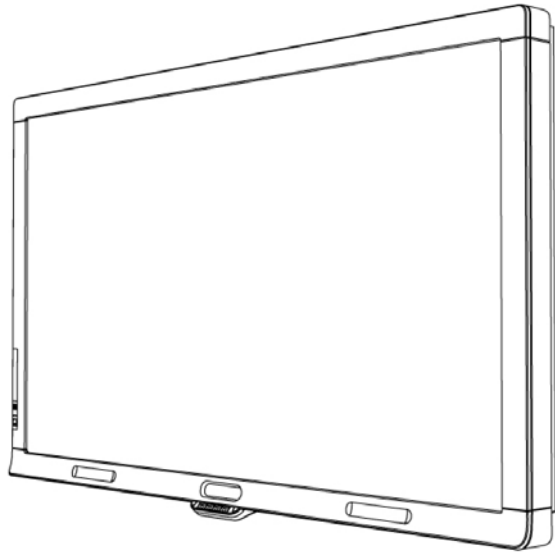


SMART[®]



***Service Parts
Diagrams***

**For Model:
SBID8070ie-SMP**

Service Parts Diagrams Revision History

Revision 1 - October, 2011

- New document

Revision 2 - January, 2012

- Add 03-00212-20, 51-00932-20, 30-01447-20, 30-01444-20, 01-064, 03-00211-20, 93-00844-20, 03-00210-20, 30-01448-20 and SMP-UpK

Revision 3 - February, 2012

- Change quantity for 03-00210-20 to 2
- Change SMP-UpK to 20-01413-25

Revision 4 - April, 2012

- Change SBID8070ie-MP to SBID8070ie-SMP
- Change 93-00507-00 to 93-00828-20
- Add CAT5-XT-1100

Revision 5 - September, 2012

- Change 20-01413-25 to 1017525
- Add FRU-NIB-SBID
- Change WMB-SBID to 93-00823-20

Revision 6 - October, 2012

- Remove 93-00823-20
- Change 1017525 to SMP-UpK

Revision 7 - October, 2013

- Change SMP-UpK to GW-MPPE

Standard Warranty Terms

Base product: Two-year limited equipment warranty

First Customer Ship: October, 2011

SMART Technologies

3636 – Research Road NW

Calgary, AB T2L 1Y1

CANADA

Support +1.403.228.5940 or Toll Free 1.866.518.6791 (Canada/U.S.)

Support Fax +1.403.806.1256

www.smarttech.com/contactserviceparts www.smarttech.com

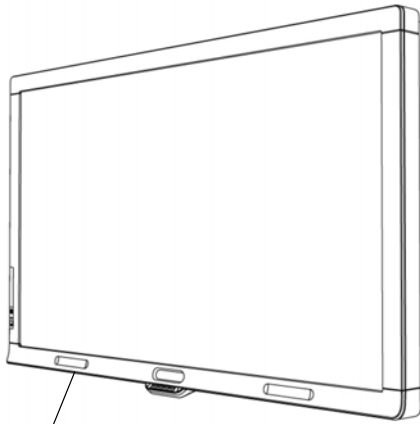


Service Parts Diagrams for the SBID8070ie-SMP

Identifying Your Product Using the Serial Number 1
Ordering Parts 1
SBID8070i Parts 2
SBID8070i Appliance Parts 4

Identifying Your Product Using the Serial Number

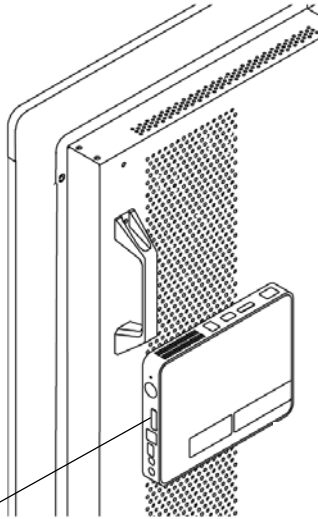
To make sure that you have the correct service parts diagrams, you must verify the serial number of your SBID8070i. The SBID8070i serial number will be located on the left underside of the pen ledge. When mounted, the Appliance serial number will be located on the right side of the SBID8070i. An example of the serial number format is shown below.



Display Serial Number Location

Display Unique Serial Number

NO12CW5200011



Appliance Serial Number Location

Appliance Unique Serial Number

ACESA005095

Ordering Parts

Customers

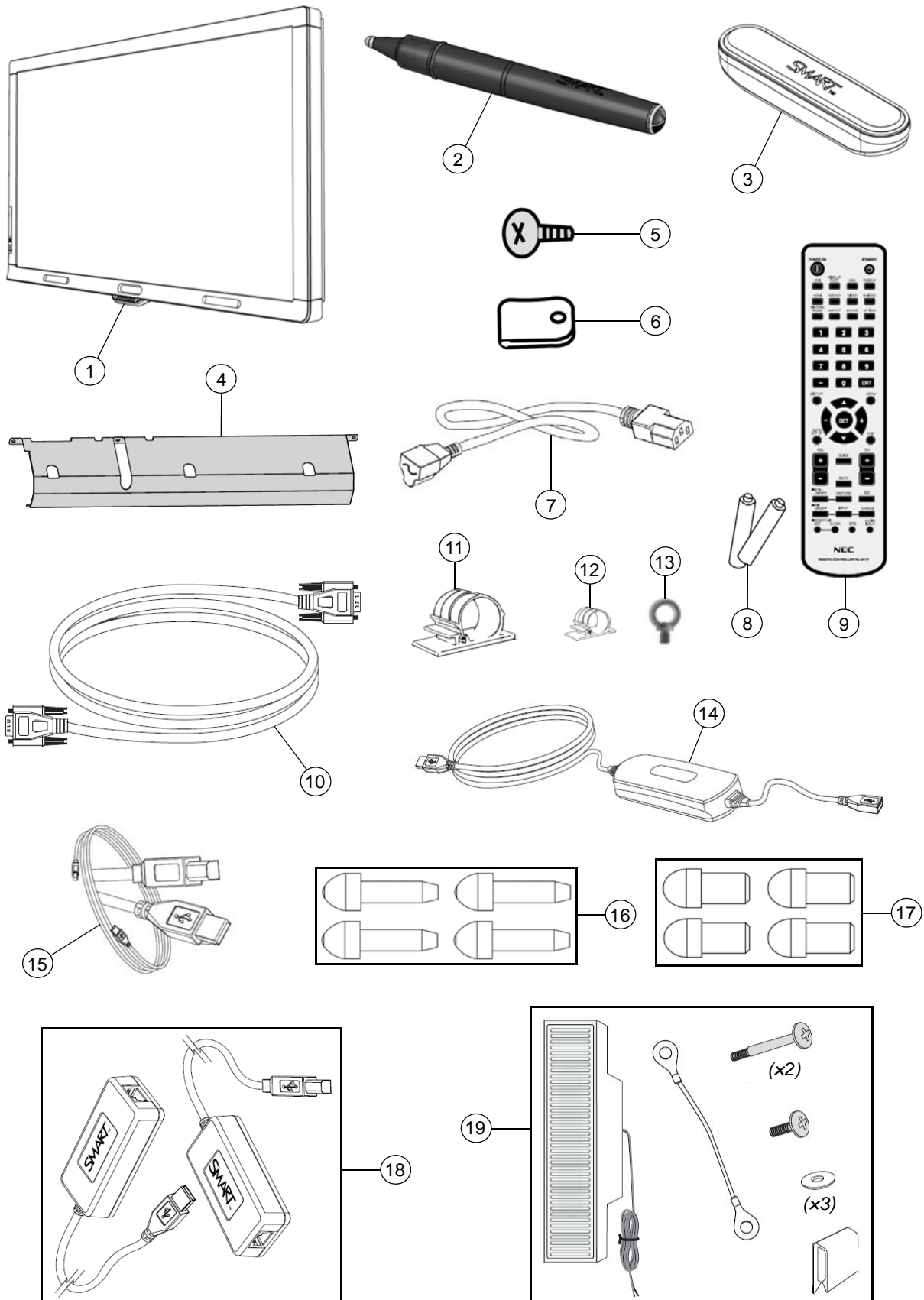
To order any of the parts in these service parts diagrams, contact your local reseller. To find a reseller near you, visit www.smarttech.com/where.

Dealers and Distributors

For specific technical and pricing enquiries in regards to these diagrams please contact our service parts department. Pricing is also available on-line via the SOURCE website (source.smarttech.com).

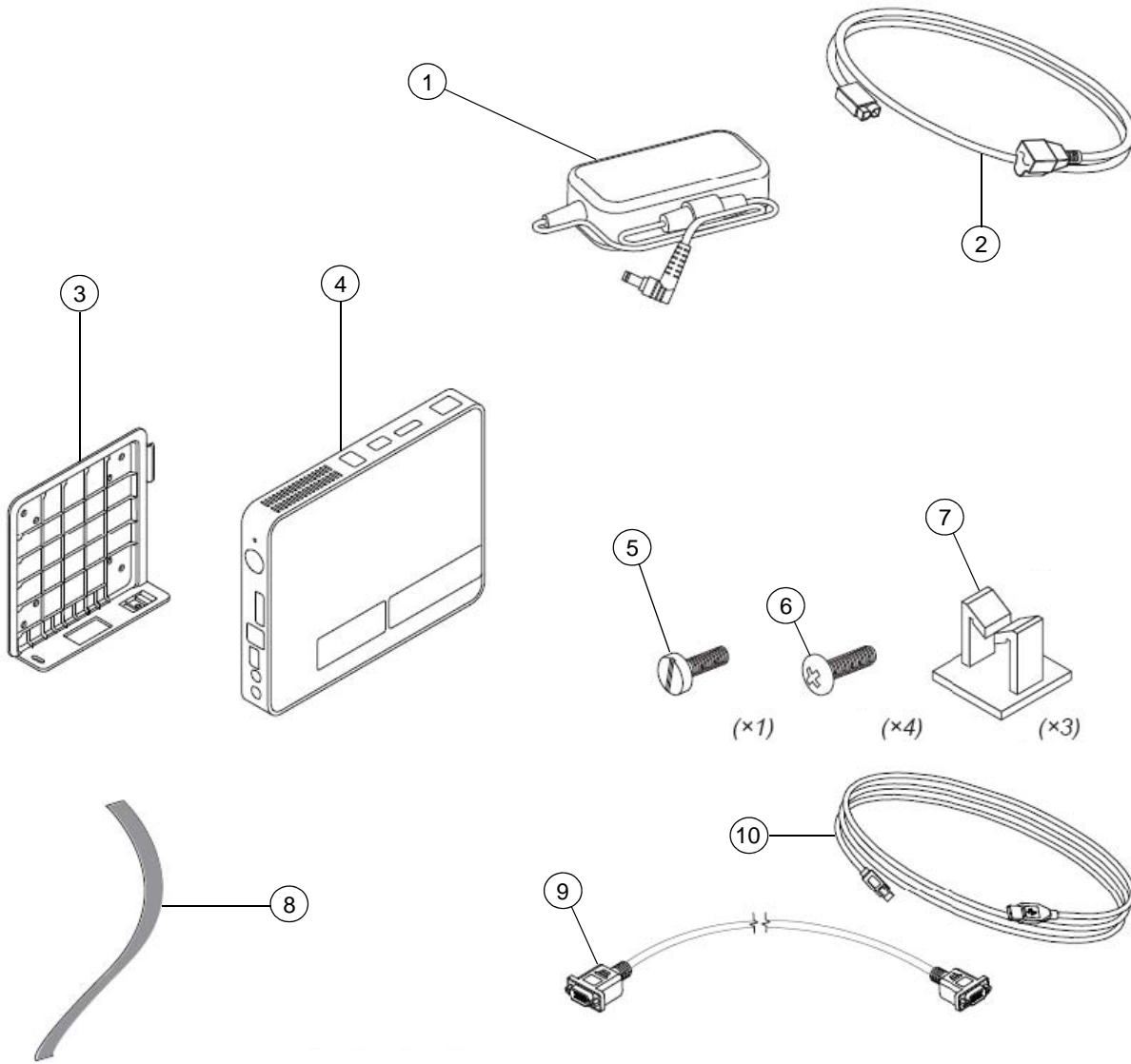
Web Form: www.smarttech.com/contactserviceparts
Phone: 1.888.42.SMART
International: +1.403.245.0333

SBID8070i Parts



Item	Part No.	Qty	Description
1	03-00212-20	1	Module, color select NOTE: Comes attached to the SBID8070i.
2	RPEN-SBID	2	Assembly, stylus NOTE: Includes set of four spare pen nibs (item 17).
3	RERASER-SBID	1	Assembly, eraser
4	51-00932-20	1	Cover, cable
5	30-01447-20	7	Screw, M4 x 8 mm, Phillips, pan head NOTE: For attaching cable cover and power cable clamp.
6	30-01444-20	1	Clamp, power cable management
7	93-051	1	Cable, power, North America, 8' (2.4 m)
7	93-055	1	Cable, power, United Kingdom, 8' (2.4 m)
7	93-056	1	Cable, power, Australia, 8' (2.4 m)
7	93-054	1	Cable, power, Europe, 8' (2.4 m)
8	01-064	2	Battery, AA
9	03-00211-20	1	Remote control
10	93-00844-20	1	Cable, video, HD15 male to HD15 male, 13' 2" (4.0 m)
11	30-01445-20	5	Clamp, speaker wire management, large
12	30-01446-20	10	Clamp, speaker wire management, small
13	30-01448-20	2	Eye bolt NOTE: Required only when lifting the display.
14	GW-MPPE	1	SMART GoWire auto-launch cable with Meeting Pro Personal Edition
15	93-00828-20	1	Cable, USB, A-B, 16' (5.0 m)
16	FRU-NIB-SBX8	1	Replacement Nibs for SBX8 - Set of Four NOTE: Only compatible with version 1 pens.
17	FRU-NIB-SBID	1	Replacement Nibs for the SMART Board Interactive Display Pen - Set of Four NOTE: Only compatible with version 2 pens.
18	CAT5-XT-1100	1	CAT 5 to USB Extender, CAT5 Cable not included
19	03-00210-20	2	Speaker kit

SBID8070i Appliance Parts



Item	Part No.	Qty	Description
1	60-00064-20	1	Power supply, 19V DC, 2.1A, universal switching
2	93-00849-20	1	Cable, power, appliance, 3' (91 cm)
3	51-00950-20	1	Bracket, mounting, appliance
4	FRU-APPLIANCE-SBX8	1	FRU, appliance, SBX8
5	30-01429-20	1	Screw, M3.5 x 10 mm, slot, cheese head
6	30-00946-20	4	Screw, M4 x 6 mm, Phillips, pan head
7	30-01281-20	3	Clip, saddle "U", wire management
8	30-01459-20	1	Strap, Velcro, 1/2" x 12", black
9	93-00850-20	1	Cable, video, HD15 male to HD15 male, 4' (1.2 m)
10	93-00851-20	1	Cable, USB, A-B, 6' (1.8 m)