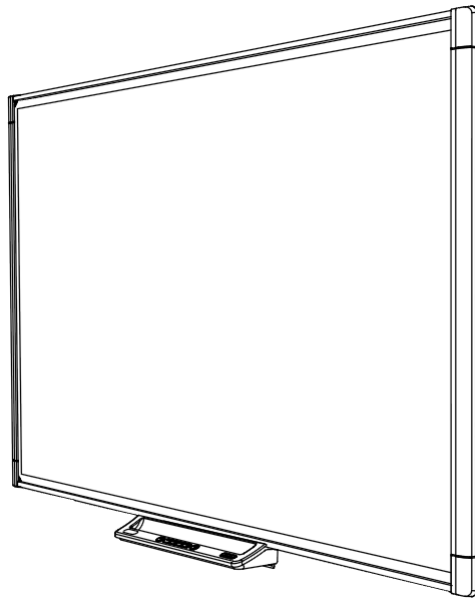




# SMART<sup>®</sup>



## *Service Parts Diagrams*

**For Model:  
SBM680E  
SBM685E**

## Service Parts Diagrams Revision History

### Revision 1 - February, 2017

- New document

### Revision 2 - March, 2021

- Change 1028021 to 1034627

### Standard Warranty Terms

Base Product: Your interactive whiteboard has a two-year limited equipment warranty.

First Customer Ship: April, 2016

---

**SMART Technologies**

3636 Research Road NW

Calgary, AB T2L 1Y1

CANADA

Support +1.403.228.5940 or Toll Free 1.866.518.6791 (Canada/U.S.)

Support Fax +1.403.806.1256

[www.smarttech.com/contactserviceparts](http://www.smarttech.com/contactserviceparts) [www.smarttech.com](http://www.smarttech.com)

The SMART logo consists of the word "SMART" in a bold, black, sans-serif font. The letters are slightly stylized, with the 'S' and 'M' having a more rounded appearance. A registered trademark symbol (®) is located at the bottom right of the 'T'.

# Service Parts Diagrams for the SBM680E and SBM685E

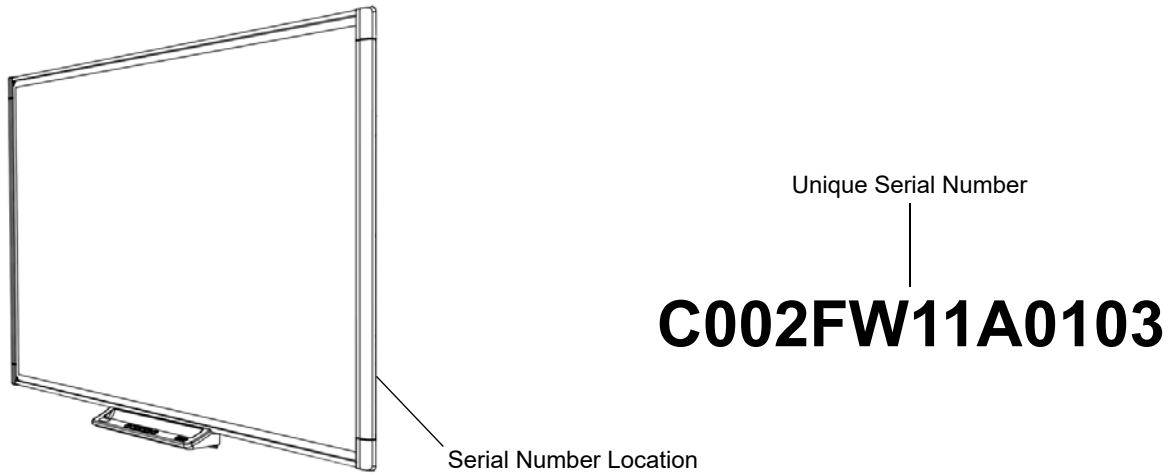
---

- Identifying Your Product Using the Serial Number ..... 1
- Ordering Parts ..... 1
- SBM680E Parts ..... 2
- SBM685E Parts ..... 3
- Optional Video Connector Kit Assembly for SB600/SBM600 Series  
(Part No. 20-01495-20) ..... 4
- Optional Board Mounting Hardware Kit (Part No. 1020342) ..... 5



## Identifying Your Product Using the Serial Number

To make sure that you have the correct service parts diagrams, you must verify the serial number of your SBM680E or SBM685E interactive whiteboard. The SMART Board serial number will be located on the side of the right hand bezel. An example of the serial number format is shown below.



## Ordering Parts

### Customers

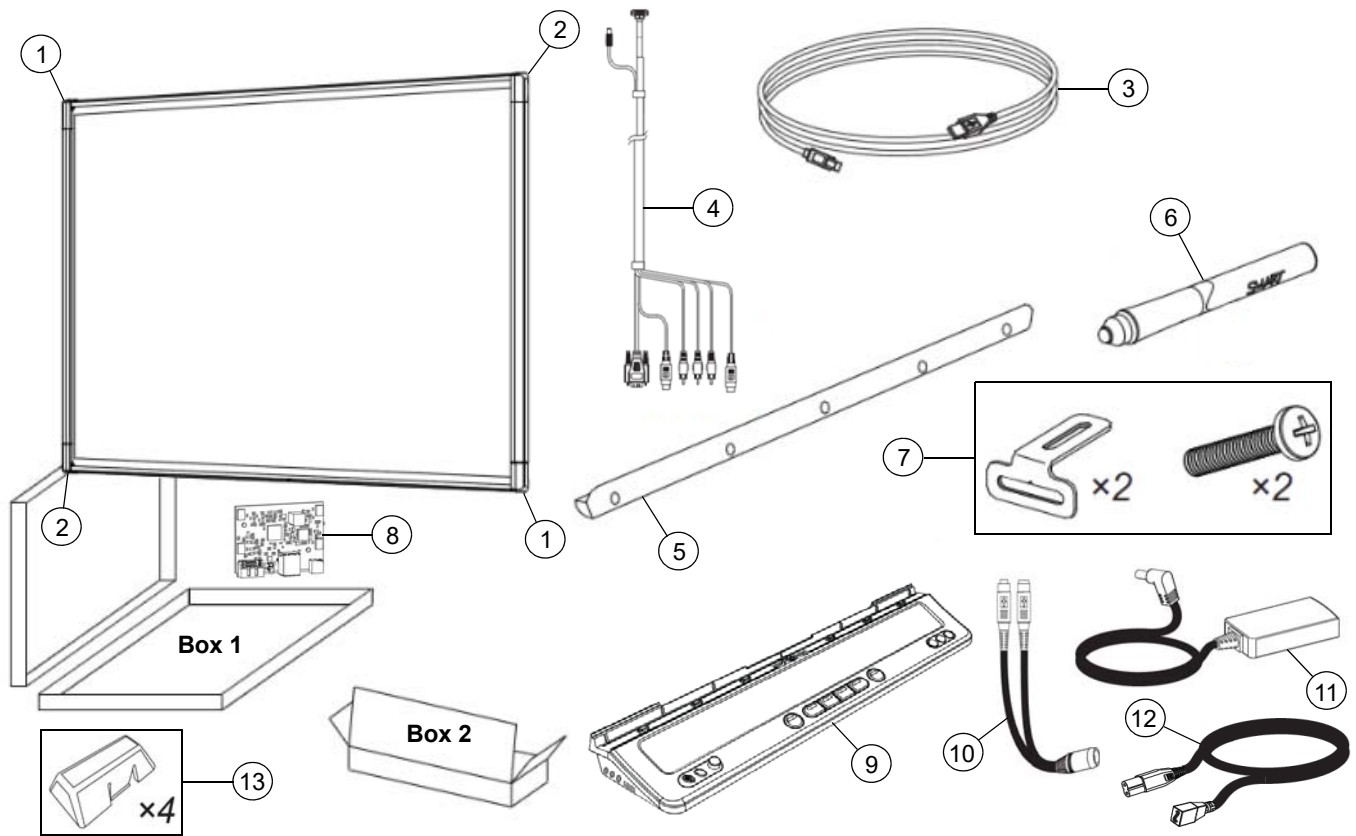
To order any of the parts in these service parts diagrams, contact your local reseller. To find a reseller near you, visit [www.smarttech.com/where](http://www.smarttech.com/where).

### Dealers and Distributors

For specific technical and pricing enquiries in regards to these diagrams please contact our service parts department. Pricing is also available on-line via the SOURCE website ([source.smarttech.com](http://source.smarttech.com)).

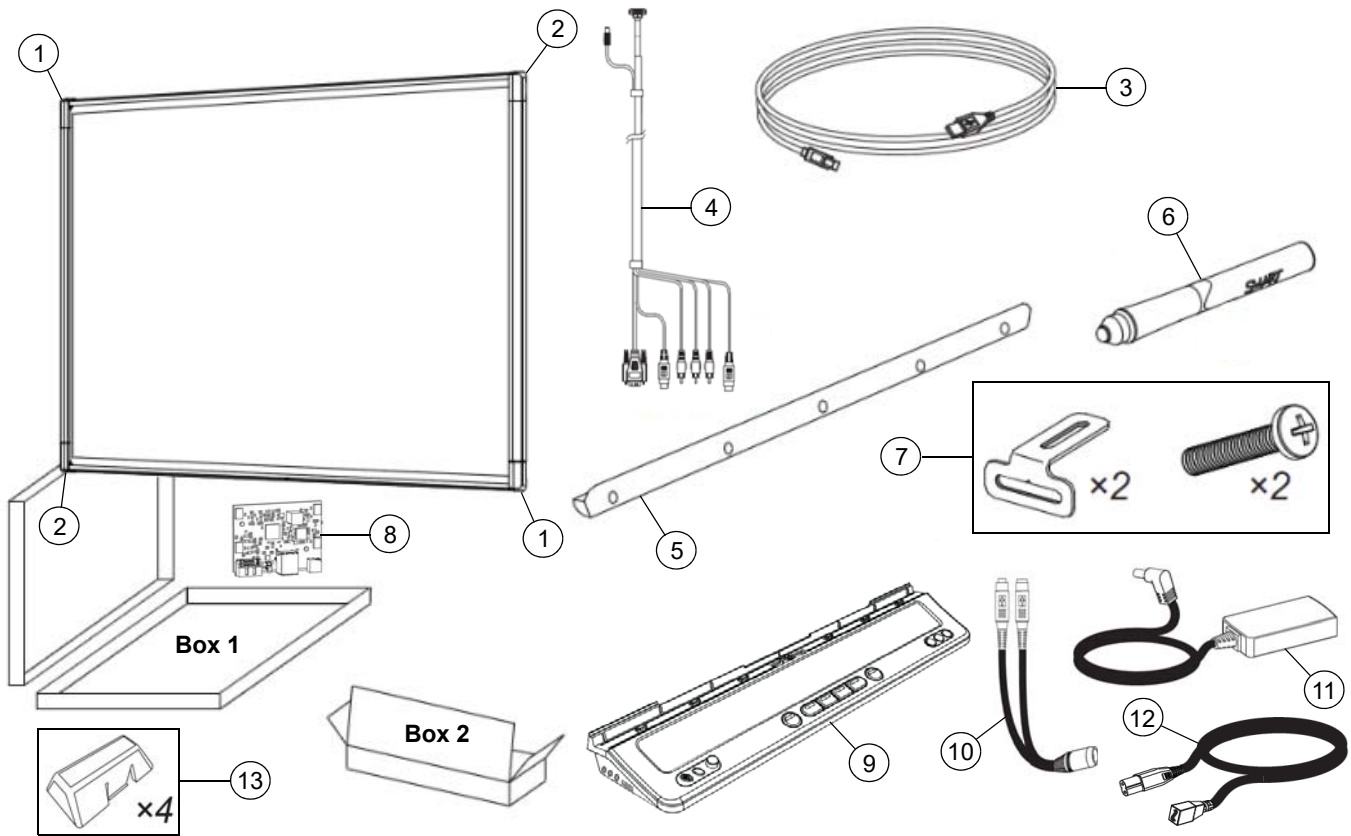
Web Form: [www.smarttech.com/contactserviceparts](http://www.smarttech.com/contactserviceparts)  
Phone: 1.888.42.SMART  
International: +1.403.245.0333

## SBM680E Parts



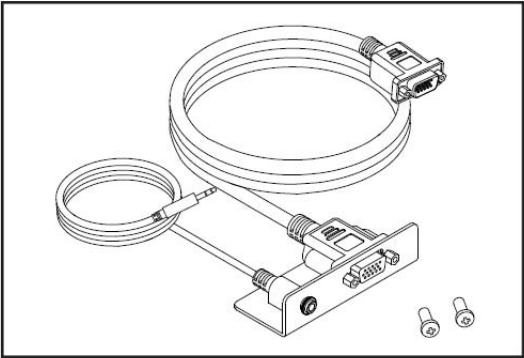
Item	Part No.	Qty	Description
1	FRU-CAM-SBM680-A	2	FRU, camera, SBM680, position 0 and 2
2	FRU-CAM-SBM680-B	2	FRU, camera, SBM680, position 1 and 3
3	93-00828-20	1	Cable, USB, A-B, 16' (5.0 m), SBX8
4	1019332	1	Cable, pen tray to projector, SBM6, 12' (3.65 m)
5	1009826	1	Bracket, wall mount, blue, SBX8/SBM6
6	RPEN-SBM6	1	Replacement Pens for SMART Board SBM600 Series - Set of Two
7	1020535	1	Assembly, SBM6 pen ledge / tray mounting hardware
8	FRU-DSP-SBM600	1	FRU, digital signal processor (controller), SBM600
9	FRU-PT-SBM600I	1	FRU, Pen Tray, SBM600i (with SMART projector controls)
10	1027702	1	Cable, integration power adapter
11	1034627	1	Power supply, 5V DC, 2A, universal switching
12	93-00592-20	1	Cable, power, North America, 6'6" (2.0 m)
12	93-00543-20	1	Cable, power, United Kingdom, 6'6" (2.0 m)
12	93-00576-20	1	Cable, power, Australia, 6'6" (2.0 m)
12	93-00542-20	1	Cable, power, Europe, 6'6" (2.0 m)
12	93-00806-20	1	Cable, power, China, 6'6" (2.0 m)
12	1023214	1	Cable, power, Japan, 6'6" (2.0 m)
13	1022762	1	Kit, back corner spacer, SBM6 (set of four)

## SBM685E Parts



Item	Part No.	Qty	Description
1	FRU-CAM-SBM685-A	2	FRU, camera, SBM685, position 0 and 2
2	FRU-CAM-SBM685-B	2	FRU, camera, SBM685, position 1 and 3
3	93-00828-20	1	Cable, USB, A-B, 16' (5.0 m), SBX8
4	1019332	1	Cable, pen tray to projector, SBM6, 12' (3.65 m).
5	1009826	2	Bracket, wall mount, blue, SBX8/SBM6
6	RPEN-SBM6	1	Replacement Pens for SMART Board SBM600 Series - Set of Two
7	1020535	1	Assembly, SBM6 pen ledge / tray mounting hardware
8	FRU-DSP-SBM600	1	FRU, digital signal processor (controller), SBM600
9	FRU-PT-SBM600I	1	FRU, Pen Tray, SBM600i (with SMART projector controls)
10	1027702	1	Cable, integration power adapter
11	1034627	1	Power supply, 5V DC, 2A, universal switching
12	93-00592-20	1	Cable, power, North America, 6'6" (2.0 m)
12	93-00543-20	1	Cable, power, United Kingdom, 6'6" (2.0 m)
12	93-00576-20	1	Cable, power, Australia, 6'6" (2.0 m)
12	93-00542-20	1	Cable, power, Europe, 6'6" (2.0 m)
12	93-00806-20	1	Cable, power, China, 6'6" (2.0 m)
12	1023214	1	Cable, power, Japan, 6'6" (2.0 m)
13	1022762	1	Kit, back corner spacer, SBM6 (set of four)

**Optional Video Connector Kit Assembly for SB600/SBM600 Series  
(Part No. 20-01495-20)**





**Optional Board Mounting Hardware Kit (Part No. 1020342)**

**NOTE: SBM685E requires two kits.**

